



Technical data // **PT65 7 01 L254**

Rotary Code Switch

Left angular 2.54 mm pitch



**Highlights**

- Solid PCB pins
- Contacts with abrasion resistant hard gold plating
- Extra sealed design
- Switches are solder and flux sealed and washable
- Excellent detent, once more improved
- 100 % electronic inspection and testing

**Mechanical Data**

Type	vertical
Fixation mode	THT
Height	10.0 mm
Length	9.34 mm
Width	10.0 mm
Pin connection	3+3
Perm. ambient temperature	-20 °C ... +70 °C
Perm. storage temperature	-40 °C ... +85 °C
Torque	(typically) 1.7 Ncm
Mechanical lifetime	30.000 steps
Degree of protection	comparable IP67
Sealing	O-Ring
Humidity	21 days at 40 °C, 93 %RH
Iron soldering	2 s / 340 °C
Sinus-vibration testing	acc. IEC 68-2-6
Frequency range	10 Hz ... 500 Hz ... 10 Hz, sliding
Amplitude	6.0 mm
Acceleration	10.0 g
Shock testing	acc. IEC 68-2-27
Shock acceleration amplitude	50.0 g
Duration of nominal shock	11.0 ms
Directions	6 ( $\pm x$ , $\pm y$ , $\pm z$ ) 3 times each
Wave soldering	Double Wave acc. DIN EN 61760-1:2006



Technical data

// PT65 7 01 L254

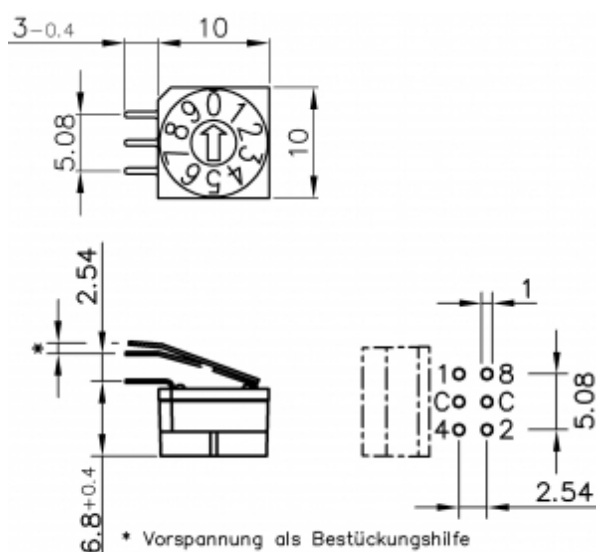
Rotary Code Switch

Left angular 2.54 mm pitch

**Electrical Data**

Operating voltage	$\leq 42.0$ V
Standby current	$\leq 0.2$ A
Contact load, dynamic	$\leq 0.15$ A
Minimum load	1.0 $\mu$ A 20mVDC
Test voltage	250.0 V 50 Hz / 1.0 min
Contact resistance	$< 80.0$ mOhm
Insulation resistance	$> 100.0$ MOhm

**Technical Drawing**



Initial tension for easy manual PCB assembly

**Configuration**

Actuators



Cross shaped slot



Technical data

// PT65 7 01 L254

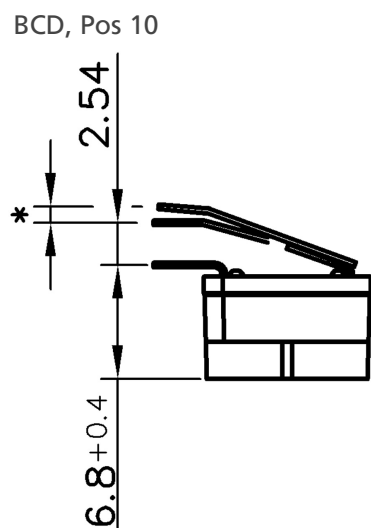
Rotary Code Switch

Left angular 2.54 mm pitch

Codes

BCD Typ 01					
	C	1	2	4	8
0	●				0
1	●	●			1
2	●		●		2
3	●	●	●		3
4	●			●	4
5	●	●		●	5
6	●		●	●	6
7	●	●	●	●	7
8	●				●
9	●	●			●

Contact pins



Left angular 2.54 mm



**PTR HARTMANN**

A Phoenix Mecano Company

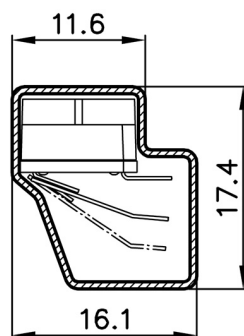
Technical data

**// PT65 7 01 L254**

Rotary Code Switch

Left angular 2.54 mm pitch

Packing depending on acuator



Tube PT65 7...L254

## X-ON Electronics

Largest Supplier of Electrical and Electronic Components

*Click to view similar products for PTR HARTMANN manufacturer:*

Other Similar products are found below :

[PT65301](#) [SMCD137AK2](#) [PT65102](#) [P65THR103L254](#) [P65THR101L254](#) [B5LS](#) [PT65102L254](#) [P36THR301L254](#) [PT65303](#) [P65THR701L254](#)  
[P60ATHR101](#) [P36SMT303](#) [PT65303L254](#) [P65THR106L254](#) [P25SMJ801](#) [PT65302V](#) [P25SMJ301](#) [P36THR103](#) [P25SMT803](#) [P65THR106](#)  
[P36THR102L254](#) [P65THR701](#) [PT65506L508](#) [PT65706](#) [PT65501L254](#) [P36THR101L254](#) [P65THR703L254](#) [P60ASMT106](#) [P60ATHR101V](#)  
[P36SMT801](#) [P36THR106](#) [P65THR703](#) [PT65502L508](#) [P25SMJ103](#) [P25SMT303](#) [P36SMT803](#) [P36SMT106](#) [DA-PT659.6/9.5](#) [P36SMT103](#)  
[S254](#) [P36SMT101](#) [P65SMT701](#) [P36THR101](#) [DA-PT659.6/19](#) [PT65501L508](#) [PT65 701 L 5,08](#) [S254L](#) [P60ASMT103](#) [P65THR101](#)  
[P65THR102](#)