

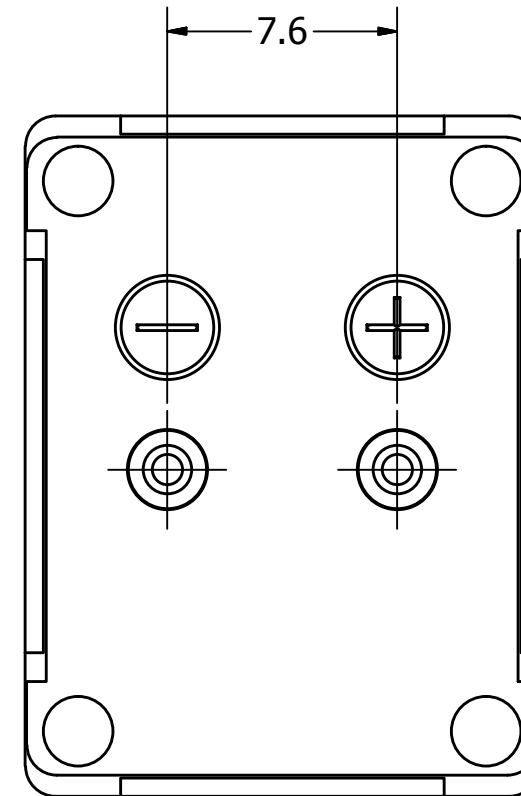
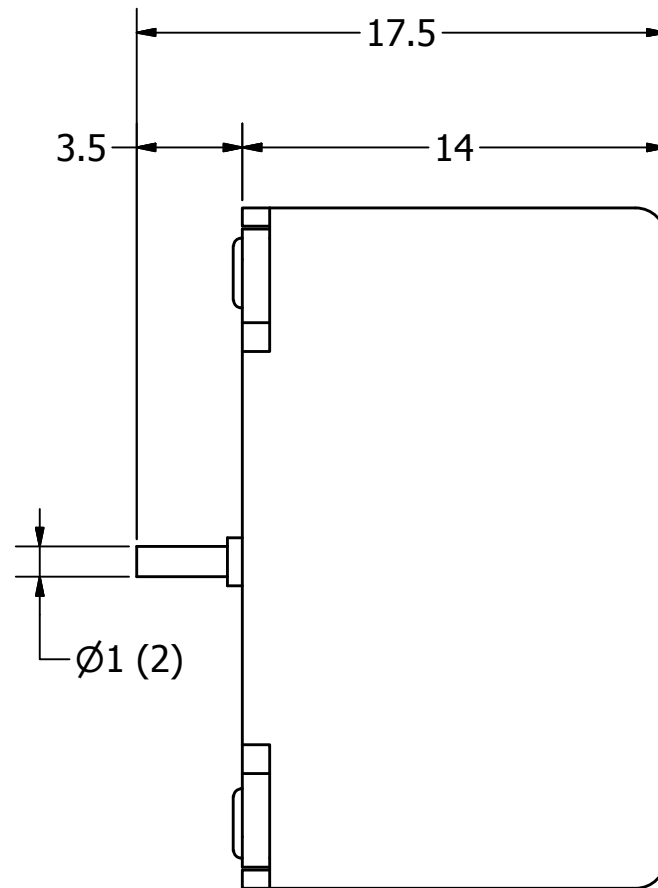
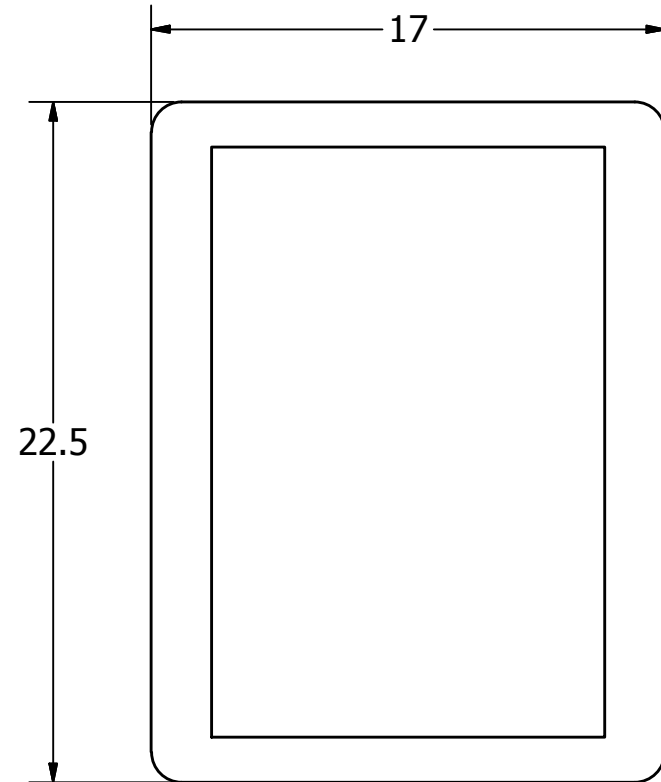
SPECIFICATIONS

| PARAMETERS | VALUES | UNITS |
|-------------------------|---------------------|--------------|
| RATED VOLTAGE | 24 | Vdc |
| OPERATING VOLTAGE RANGE | 15 ~ 27 | Vdc |
| RATED CURRENT (MAX) | 30 | mA |
| MINIMUM SPL @ 10 CM | 84 | dB |
| RESONANT FREQUENCY | 400 ± 50 | Hz |
| TONE OR PULSE RATE | CONTINUOUS | 0 pulse /sec |
| OPERATING TEMPERATURE | -20 ~ +65 | °C |
| STORAGE TEMPERATURE | -20 ~ +70 | °C |
| HOUSING MATERIAL | ABS | - |
| TERMINAL MATERIAL | Sn PLATED COPPER | - |
| WEIGHT | 8 | grams |

THIS DOCUMENT CONTAINS DATA PROPRIETARY TO PROJECTS UNLIMITED, INC. ANY USE OR REPRODUCTION, IN ANY FORM, WITHOUT PRIOR WRITTEN PERMISSION OF PROJECTS UNLIMITED, INC. IS PROHIBITED.
©2003, Projects Unlimited Inc.

REVISION HISTORY

| LTR | DESCRIPTION | DATE | APPROVED |
|-----|------------------------------------------|------------|----------|
| - | RELEASED FROM ENGINEERING | 5/24/2006 | |
| A | ADDED BODY DIMENSION | 1/4/2007 | R.W. |
| B | REVISED TO INVENTOR 3-D DRAWING TEMPLATE | 12/19/2007 | B.R. |
| C | REVISED SPL, TEMP RATINGS, ROHS STATUS | 9/23/13 | M.L. |



NOTES:

1. ALL DIMENSIONS ARE IN MILLIMETERS.
2. SPECIFICATIONS SUBJECT TO CHANGE OR WITHDRAWL WITHOUT NOTICE.
3. THIS PART IS RoHS 2011/65/EU COMPLIANT.

| | | | | | | | | | |
|----------------------------------------------------------------------------------------------------------|-------------------|------------------|-----------|-------------------------|-----------|-------------|-----------|------------|--|
| UNLESS OTHERWISE SPECIFIED: DIMENSIONS ARE IN MILLIMETERS, TOLERANCES ARE ±0.5 AND ANGLES ARE ±3°. | SIZE A3 | Designed by | Date | Checked by | Date | Approved by | Date | Drawn Date | |
| | | J.D. | 5/24/2006 | E.P. | 5/25/2006 | B.R. | 5/25/2006 | 12/19/2007 | |
| AI-2304-TT-24V-R.idw | | | | AI-2304-TT-24V-R | | | | | |
| | | Indicator | | | | Edition | Sheet | | |
| | | | | | | - | 1 / 1 | | |

X-ON Electronics

Largest Supplier of Electrical and Electronic Components

Click to view similar products for [Piezo Buzzers & Audio Indicators](#) category:

Click to view products by [PUI Audio](#) manufacturer:

Other Similar products are found below :

[6-4](#) [68S1240-PA](#) [MBA-624](#) [FDG06PSLLF](#) [FDG111PLF](#) [PF-35N29WQ](#) [PFD-21A29W](#) [PFD-27A35PQ](#) [PL-21N30WQ](#) [PL-27A35PSQ](#) [PLD-21N30W](#) [PLD-21N30WQ](#) [PS-531Q](#) [PT-3534FP](#) [EBPT-401](#) [B822B](#) [PB-1220PEQ](#) [S6109](#) [SBM616PR](#) [SC110E](#) [SC2036ACP](#) [SC616N-2](#) [SC628FW](#) [SC628MPG](#) [SC648D](#) [SCS045MD9DT3S](#) [ESZ-25B-5-250B](#) [FCM12PLF](#) [SSX-52SA](#) [F/EB20P-DR LF](#) [F/SMD03A LF](#) [FSMD8585JSLF](#) [F/TCW 12 WITH LABEL LF](#) [PFD-27N36W](#) [PKM22EPPH40S1-B0](#) [PKM35-4A0](#) [PL-35N29WQ](#) [PLD-27A35PQ](#) [CM-5](#) [REF-202](#) [B/SE 128 RED LF](#) [KBS-20DA-7AS](#) [KBS-27DA-5C-105](#) [LSC628ANR](#) [03-810.001](#) [RTO-1R07-001](#) [PL-21N31PQ](#) [F-B-P1405ISB LF](#) [B/CP 28B BLACK LF](#) [F/HCW 06 WITH LABEL LF](#)