



pui
audio™ inc
a projects unlimited company

AI-2437-TWT-R 24mm Indicator

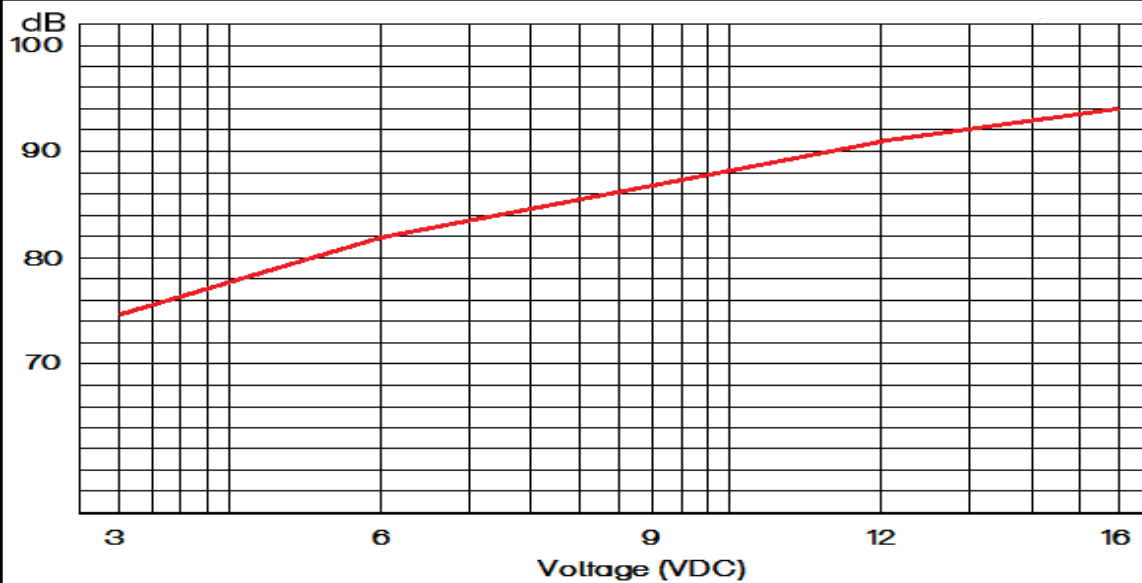
3541 Stop Eight Road • Dayton, Ohio 45414

Product Overview

- 24mm diameter, 3-16 VDC self-drive indicator
- 100 dBA minimum output (12 VDC @ 10 cm) and 3,700 Hz continuous tone
- High-temp ABS 777 housing withstands Wave soldering temperatures
- Removable wash tag preserves performance

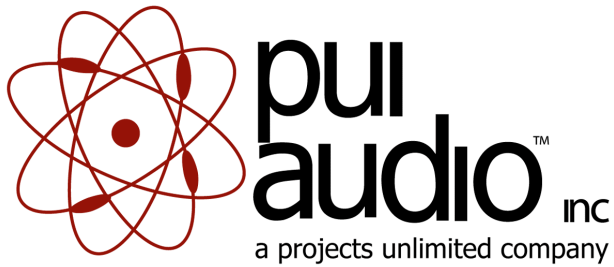


SPL vs Voltage (measured @ 30 cm)



RoHS Compliant





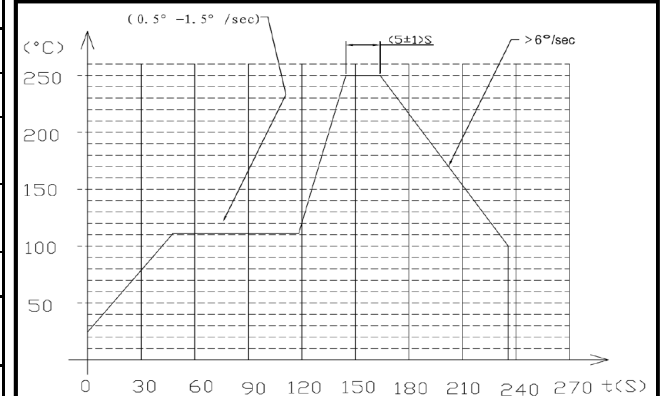
AI-2437-TWT-R 24mm Indicator

Mechanical and Environment Testing

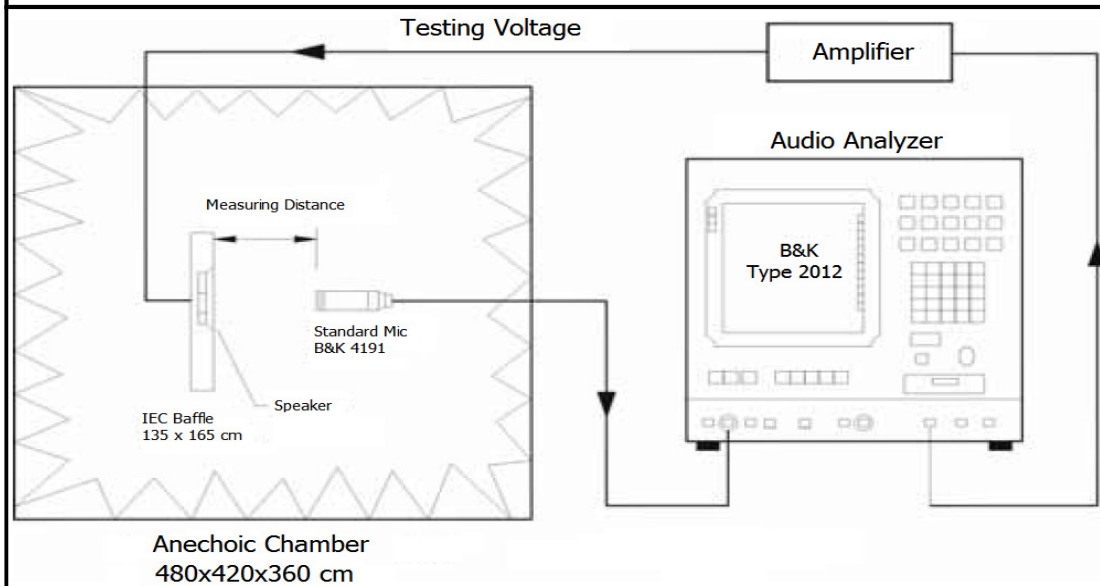
| Test Description | Test Condition |
|------------------------|---|
| High Temperature | 70°C ($\pm 2^\circ\text{C}$) with random humidity for 96 hours |
| Low Temperature | -25°C ($\pm 2^\circ\text{C}$) with random humidity for 96 hours |
| Humidity | 40°C ($\pm 2^\circ\text{C}$) with 90% to 95% relative humidity for 96 hours |
| Vibration | 0.75 mm movement modulated at 10-55 Hz for 3 hours |
| Drop Test | 100 cm free fall onto wood board, 10 cycles |
| Temperature Cycle Test | -25°C to 70°C, 100 cycles |

After tests, part shall rest for 2 hours. Parts are then tested for clean, pure tones.

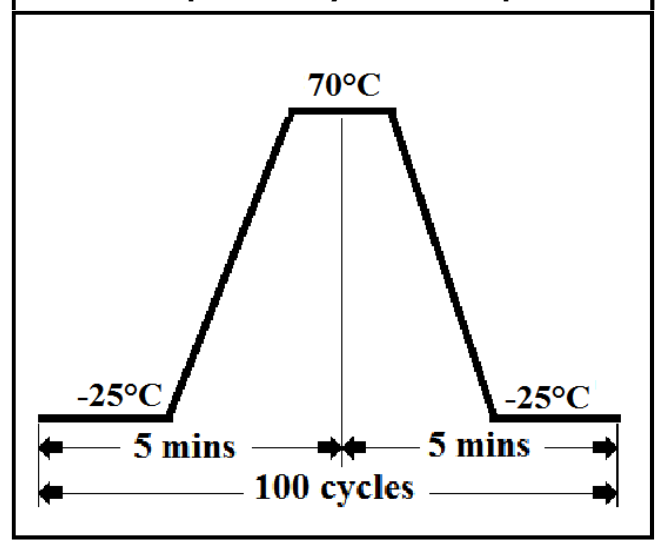
Wave Solder Profile



Frequency Response and SPL Measurement Setup



Temperature Cycle Test Graph



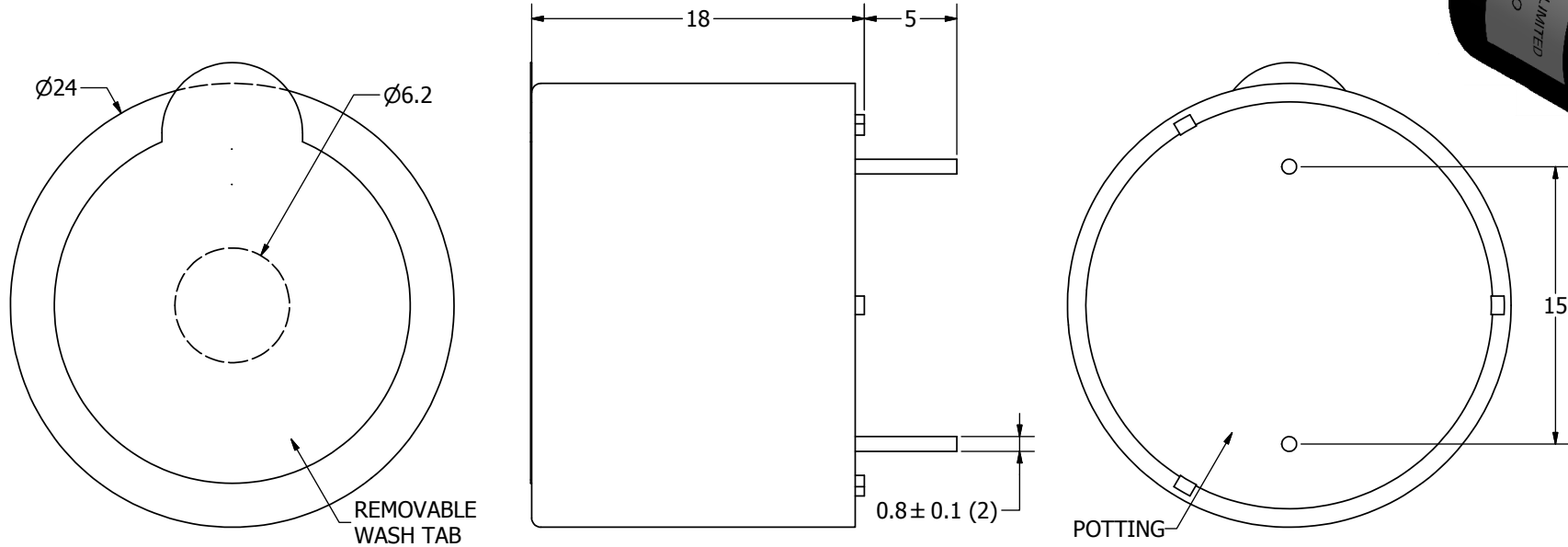
SPECIFICATIONS

| PARAMETERS | VALUES | UNITS |
|-------------------------|---------------------|--------------|
| RATED VOLTAGE | 12 | Vdc |
| OPERATING VOLTAGE RANGE | 3 ~ 16 | Vdc |
| RATED CURRENT (MAX) | 8 | mA |
| MINIMUM SPL @ 10 CM | 100 | dBA |
| RESONANT FREQUENCY | 3,700 ± 500 | Hz |
| TONE OR PULSE RATE | CONTINUOUS | 0 pulse /sec |
| OPERATING TEMPERATURE | -20 ~ +60 | °C |
| STORAGE TEMPERATURE | -20 ~ +70 | °C |
| HOUSING MATERIAL | ABS 777 | - |
| TERMINAL MATERIAL | Sn PLATED COPPER | - |
| WEIGHT | 6 | grams |

THIS DOCUMENT CONTAINS DATA PROPRIETARY TO PROJECTS UNLIMITED, INC. ANY USE OR REPRODUCTION, IN ANY FORM, WITHOUT PRIOR WRITTEN PERMISSION OF PROJECTS UNLIMITED, INC. IS PROHIBITED.
©2003, Projects Unlimited Inc.

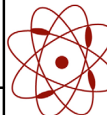
REVISION HISTORY

| LTR | DESCRIPTION | DATE | APPROVED |
|-----|--|------------|----------|
| - | RELEASED FROM ENGINEERING | 8/19/2004 | |
| A | REMOVE LEAD FREE ADD RoHS STATEMENT | 8/10/2005 | B.R. |
| B | REVISED TERMINAL MATERIAL | 3/21/2006 | B.R. |
| C | REVISED TO INTENTOR 3-D DRAWING TEMPLATE | 10/11/2007 | B.R. |



NOTES:

1. ALL DIMENSIONS ARE IN MILLIMETERS.
2. SPECIFICATIONS SUBJECT TO CHANGE OR WITHDRAWAL WITHOUT NOTICE.
3. THIS PART IS RoHS 2002/95/EC COMPLIANT.

| UNLESS OTHERWISE SPECIFIED: DIMENSIONS ARE IN MILLIMETERS, TOLERANCES ARE ±0.5 AND ANGLES ARE ±3°. | SIZE A3 | Designed by | Date | Checked by | Date | Approved by | Date | Drawn Date |
|--|-------------------|--|-----------|------------|-----------------------------------|-------------|-----------|------------|
| | | R.A.C. | 8/19/2004 | | | R.W. | 8/19/2004 | 10/11/2007 |
| AI-2437-TWT-R.idw | |  pui audio a projects unlimited company | | | AI-2437-TWT-R Indicator | | Edition | Sheet |
| | | | | | - | 1 / 1 | | |

X-ON Electronics

Largest Supplier of Electrical and Electronic Components

Click to view similar products for [Piezo Buzzers & Audio Indicators](#) category:

Click to view products by [PUI Audio](#) manufacturer:

Other Similar products are found below :

[6-4](#) [68S1240-PA](#) [MBA-624](#) [FDG06PSLLF](#) [FDG111PLF](#) [F/NRMB 24 BLACK LF](#) [PF-35N29WQ](#) [PFD-21A29W](#) [PFD-27A35PQ](#) [PL-21N30WQ](#) [PL-27A35PSQ](#) [PLD-21N30W](#) [PLD-21N30WQ](#) [PS-531Q](#) [PT-3534FP](#) [EBPT-401](#) [B822B](#) [PB-1220PEQ](#) [S6109](#) [SBM616PR](#) [SC110E](#) [SC2036ACP](#) [SC616N-2](#) [SC628FW](#) [SC628MPG](#) [SC648D](#) [SCS045MD9DT3S](#) [FCM12PLF](#) [F/EB20P-DR LF](#) [F/SMD03A LF](#) [FSMD8585JSLF](#) [F/SU 21-02 LF](#) [F/TCW 12 WITH LABEL LF](#) [F/UCW 06 WITH LABEL LF](#) [PFD-27N36W](#) [PKM22EPPH40S1-B0](#) [PKM35-4A0](#) [PL-35N29WQ](#) [PS-552Q](#) [CM-5](#) [REF-202](#) [B/SE 128 RED LF](#) [KBS-20DA-7AS](#) [KBS-27DA-5C-105](#) [LSC628ANR](#) [03-810.001](#) [RTO-1R07-001](#) [PL-21N31PQ](#) [B/CP 28B BLACK LF](#) [F/DGX 05P WITH LABEL LF](#)