

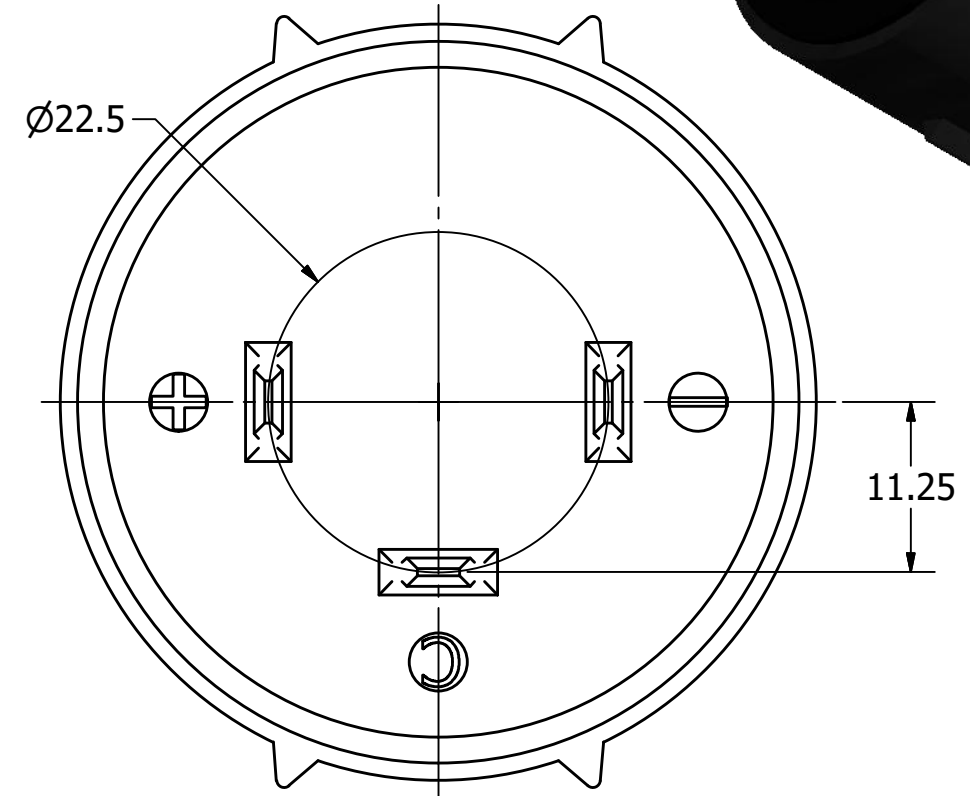
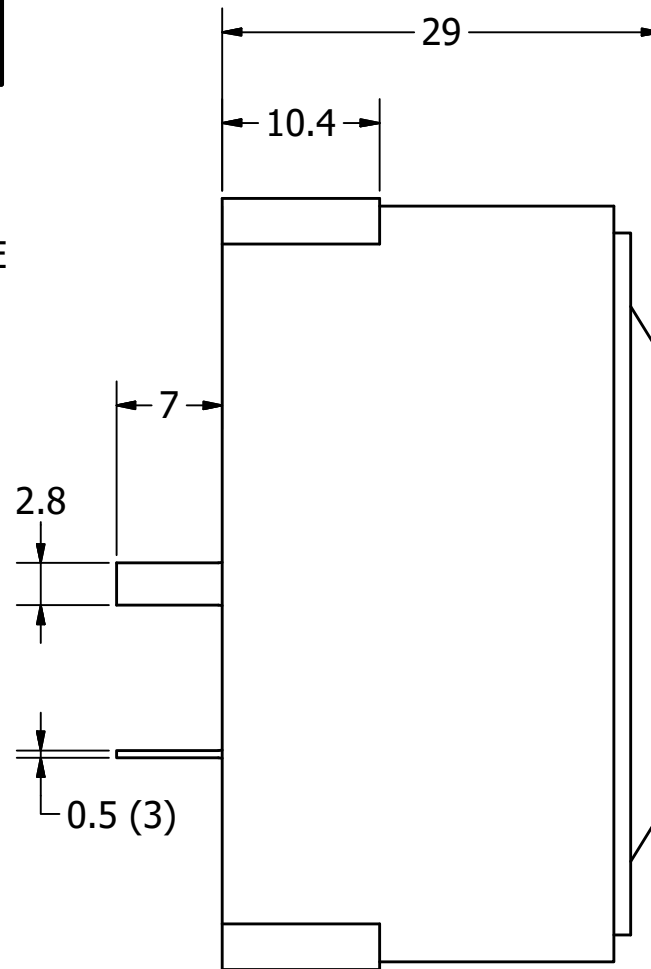
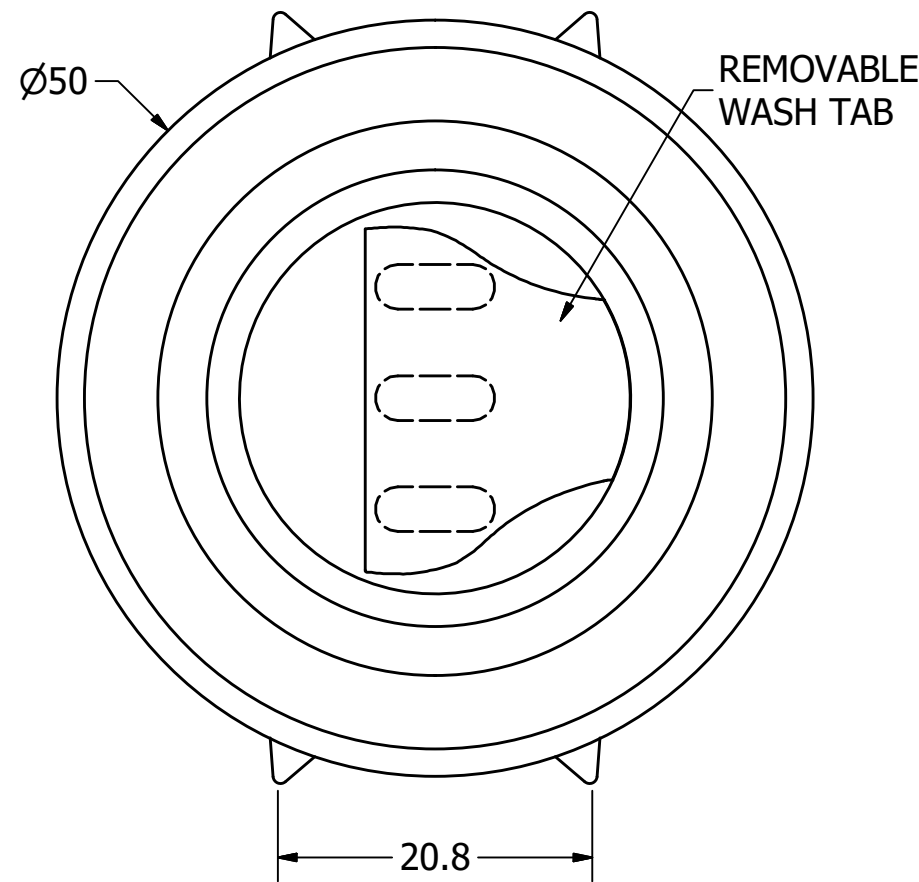
# SPECIFICATIONS

| PARAMETERS              | VALUES          | UNITS       |
|-------------------------|-----------------|-------------|
| RATED VOLTAGE           | 12              | Vdc         |
| OPERATING VOLTAGE RANGE | 5 ~ 13          | Vdc         |
| RATED CURRENT (MAX)     | 75              | mA          |
| MINIMUM SPL @ 10 CM     | 115             | dBa         |
| RESONANT FREQUENCY      | 2,500 ± 500     | Hz          |
| TONE OR PULSE RATE      | CONTINUOUS      | 0 pulse/sec |
| OPERATING TEMPERATURE   | -20 ~ +60       | °C          |
| STORAGE TEMPERATURE     | -30 ~ +70       | °C          |
| HOUSING MATERIAL        | ABS             | -           |
| TERMINAL MATERIAL       | PHOSPHER BRONZE | -           |
| WEIGHT                  | 40              | grams       |

THIS DOCUMENT CONTAINS DATA PROPRIETARY TO PROJECTS UNLIMITED, INC. ANY USE OR REPRODUCTION, IN ANY FORM, WITHOUT PRIOR WRITTEN PERMISSION OF PROJECTS UNLIMITED, INC. IS PROHIBITED.  
©2003, Projects Unlimited Inc.

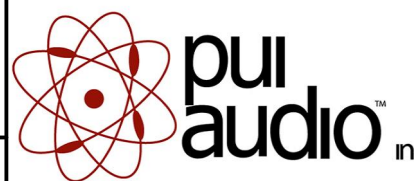
# REVISION HISTORY

| LTR | DESCRIPTION                              | DATE      | APPROVED |
|-----|--|-----------|----------|
| -   | RELEASED FROM ENGINEERING                | 8/17/2005 |          |
| A   | REVISED TO INVENTOR 3-D DRAWING TEMPLATE | 3/11/2008 | B.R.     |
| B   | ADD NOTE FOR C-PIN TRIGGER               | 3/25/14   | M.L      |
| C   | REVISED PIN MATERIAL                     | 2/25/2020 | M.V.     |



## NOTES:

1. ALL DIMENSIONS ARE IN MILLIMETERS.
2. SPECIFICATIONS SUBJECT TO CHANGE OR WITHDRAWL WITHOUT NOTICE.
3. THIS PART IS RoHS 20011/65/EC COMPLIANT.
4. C-PIN TRIGGER CURRENT @ 12Vdc is 2mA MAX

|  |                   |   |           |                      |           |             |           |            |
|--|-------------------|---|-----------|----------------------|-----------|-------------|-----------|------------|
| UNLESS OTHERWISE SPECIFIED:<br>DIMENSIONS ARE IN MILLIMETERS,<br>TOLERANCES ARE ±0.5 AND ANGLES ARE ±3°. | SIZE<br><b>A3</b> | Designed by   | Date      | Checked by           | Date      | Approved by | Date      | Drawn Date |
|  |                   | J.A.F.  | 8/17/2005 | B.R.                 | 8/17/2005 | E.P.        | 8/17/2005 | 3/11/2008  |
| AI-5025-TWT-R.idw  |                   |  |           | <b>AI-5025-TWT-R</b> |           |             | Indicator |            |
|  |                   |   |           |                      |           |             | Edition   | Sheet      |
|  |                   |   |           |                      |           |             | -         | 1 / 1      |

## X-ON Electronics

Largest Supplier of Electrical and Electronic Components

*Click to view similar products for [Piezo Buzzers & Audio Indicators](#) category:*

*Click to view products by [PUI Audio](#) manufacturer:*

Other Similar products are found below :

[6-4](#) [68S1240-PA](#) [MBA-624](#) [FDG06PSLLF](#) [FDG111PLF](#) [F/NRMB 24 BLACK LF](#) [PF-35N29WQ](#) [PFD-21A29W](#) [PFD-27A35PQ](#) [PL-21N30WQ](#) [PL-27A35PSQ](#) [PLD-21N30W](#) [PLD-21N30WQ](#) [PS-531Q](#) [PT-3534FP](#) [EBPT-401](#) [B822B](#) [PB-1220PEQ](#) [S6109](#) [SBM616PR](#) [SC110E](#) [SC2036ACP](#) [SC616N-2](#) [SC628FW](#) [SC628MPG](#) [SC648D](#) [SCS045MD9DT3S](#) [FCM12PLF](#) [F/EB20P-DR LF](#) [F/SMD03A LF](#) [FSMD8585JSLF](#) [F/SU 21-02 LF](#) [F/TCW 12 WITH LABEL LF](#) [F/UCW 06 WITH LABEL LF](#) [PFD-27N36W](#) [PKM22EPPH40S1-B0](#) [PKM35-4A0](#) [PL-35N29WQ](#) [PS-552Q](#) [CM-5](#) [REF-202](#) [B/SE 128 RED LF](#) [KBS-20DA-7AS](#) [KBS-27DA-5C-105](#) [LSC628ANR](#) [03-810.001](#) [RTO-1R07-001](#) [PL-21N31PQ](#) [B/CP 28B BLACK LF](#) [F/DGX 05P WITH LABEL LF](#)