

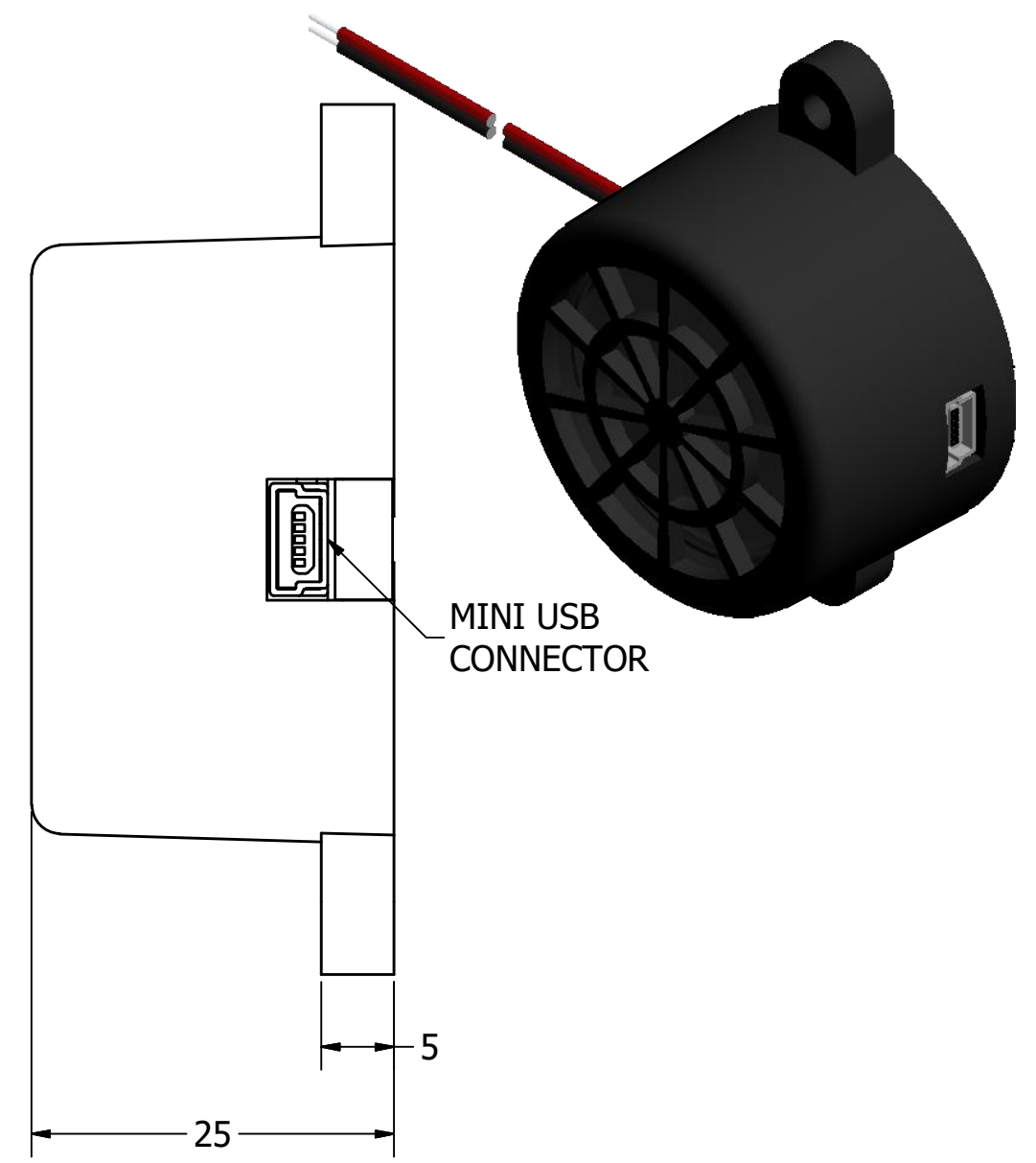
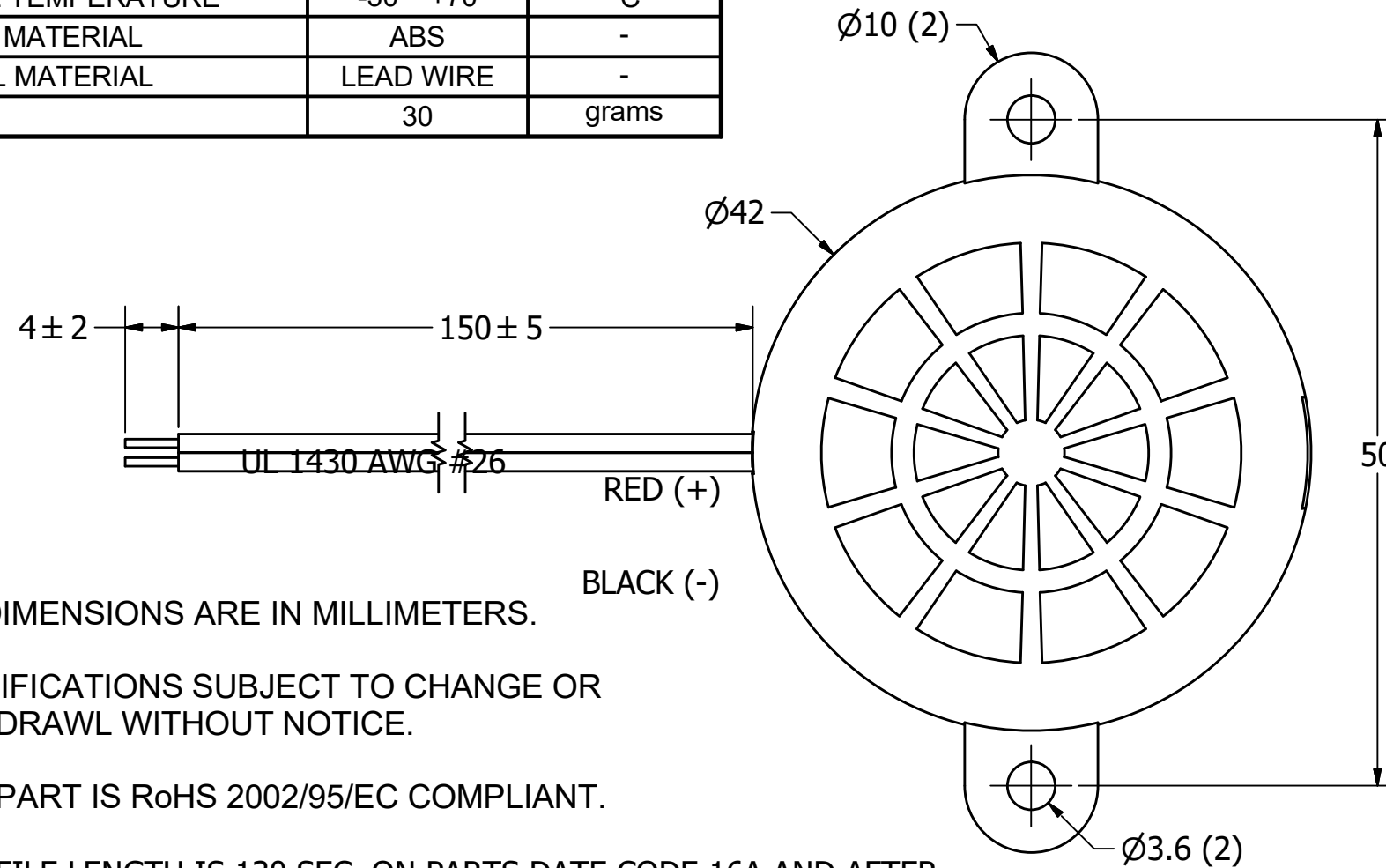
# SPECIFICATIONS

PARAMETERS	VALUES	UNITS
RATED VOLTAGE	12	Vdc
OPERATING VOLTAGE RANGE	7 ~ 24	Vdc
RATED CURRENT (MAX)	350	mA
MINIMUM SPL @ 10 CM (1KHz)	100	dBa
RESONANT FREQUENCY	100 ~ 6000	Hz
TONE OR PULSE RATE	REPEATING	0 pulse/sec
OPERATING TEMPERATURE	-20 ~ +60	°C
STORAGE TEMPERATURE	-30 ~ +70	°C
HOUSING MATERIAL	ABS	-
TERMINAL MATERIAL	LEAD WIRE	-
WEIGHT	30	grams

THIS DOCUMENT CONTAINS DATA PROPRIETARY TO PROJECTS UNLIMITED, INC. ANY USE OR REPRODUCTION, IN ANY FORM, WITHOUT PRIOR WRITTEN PERMISSION OF PROJECTS UNLIMITED, INC. IS PROHIBITED.  
©2003, Projects Unlimited Inc.

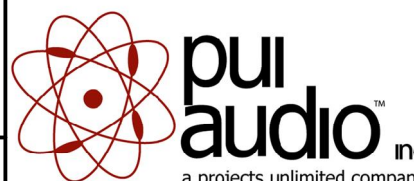
# REVISION HISTORY

LTR	DESCRIPTION	DATE	APPROVED
-	RELEASED FROM ENGINEERING	1/6/2011	
A	UPDATED NOTE 4 DUE TO MEMORY INCREASE	3/15/2016	B.R.
B	ADDED NOTE TO SHOW USB COMPATIBILITY	9/15/2017	M.V.



### NOTES:

1. ALL DIMENSIONS ARE IN MILLIMETERS.
2. SPECIFICATIONS SUBJECT TO CHANGE OR WITHDRAWL WITHOUT NOTICE.
3. THIS PART IS RoHS 2002/95/EC COMPLIANT.
4. MAX. FILE LENGTH IS 130 SEC. ON PARTS DATE CODE 16A AND AFTER. PARTS DATE CODE 15L AND EARLIER HAVE 33 SEC. MAX FILE LENGTH
5. CONTINUOUS TONES OF 2KHz AND ABOVE MAY SOUND DISTORTED DUE TO 12 kHz SAMPLING RATE.
6. WORKS WITH WINDOWS 2000, XP, VISTA, WINDOWS 7, 8, AND 10.
7. DESIGNED TO WORK WITH USB 1, 1.1, AND 2.0 PORTS. DOES NOT WORK WITH USB 3.0 (AND LATER) PORTS.
8. OPTIONAL USB TO MINI USB CABLE: PUI PART# API-CABLE.
9. PATENT PENDING, COMPLIES WITH FCC PART 15B, CLASS B AND EN 61000-6-3.

UNLESS OTHERWISE SPECIFIED: DIMENSIONS ARE IN MILLIMETERS, TOLERANCES ARE ±0.5 AND ANGLES ARE ±3°.	SIZE <b>A3</b>	Designed by	Date	Checked by	Date	Approved by	Date	Drawn Date	
		J.D.	1/6/2011	M.L.	3/29/2011	B.R.	3/29/2011	1/6/2011	
API-4260-LW150-R.idw				<b>API-4260-LW150-R</b>				Indicator	
						Edition		Sheet	
						-		1 / 1	

## X-ON Electronics

Largest Supplier of Electrical and Electronic Components

*Click to view similar products for [Piezo Buzzers & Audio Indicators](#) category:*

*Click to view products by [PUI Audio](#) manufacturer:*

Other Similar products are found below :

[6-4](#) [68S1240-PA](#) [MBA-624](#) [FDG06PSLLF](#) [FDG111PLF](#) [F/NRMB 24 BLACK LF](#) [PF-35N29WQ](#) [PFD-21A29W](#) [PFD-27A35PQ](#) [PL-21N30WQ](#) [PL-27A35PSQ](#) [PLD-21N30W](#) [PLD-21N30WQ](#) [PS-531Q](#) [PT-3534FP](#) [EBPT-401](#) [B822B](#) [PB-1220PEQ](#) [S6109](#) [SBM616PR](#) [SC110E](#) [SC2036ACP](#) [SC616N-2](#) [SC628FW](#) [SC628MPG](#) [SC648D](#) [SCS045MD9DT3S](#) [FCM12PLF](#) [F/EB20P-DR LF](#) [F/SMD03A LF](#) [FSMD8585JSLF](#) [F/SU 21-02 LF](#) [F/TCW 12 WITH LABEL LF](#) [F/UCW 06 WITH LABEL LF](#) [PFD-27N36W](#) [PKM22EPPH40S1-B0](#) [PKM35-4A0](#) [PL-35N29WQ](#) [PS-552Q](#) [CM-5](#) [REF-202](#) [B/SE 128 RED LF](#) [KBS-20DA-7AS](#) [KBS-27DA-5C-105](#) [LSC628ANR](#) [03-810.001](#) [RTO-1R07-001](#) [PL-21N31PQ](#) [B/CP 28B BLACK LF](#) [F/DGX 05P WITH LABEL LF](#)