

**pui**  
**audio**™ inc  
a projects unlimited company

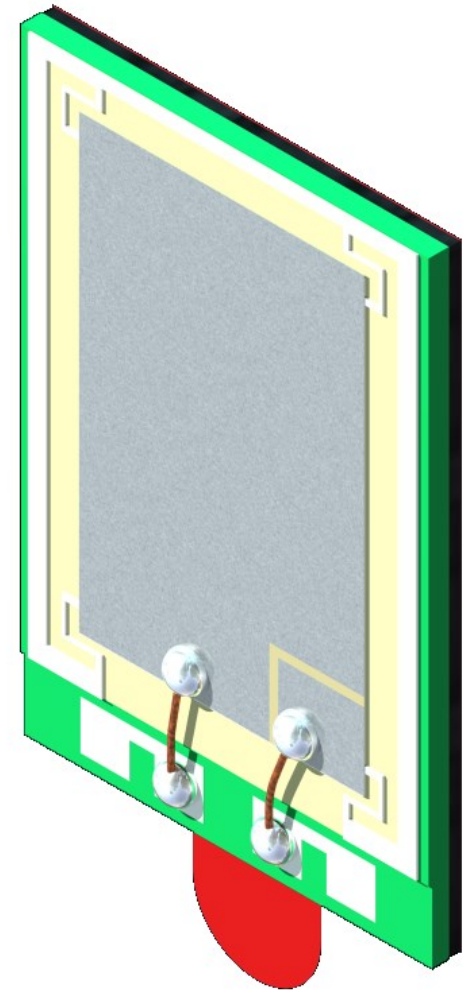
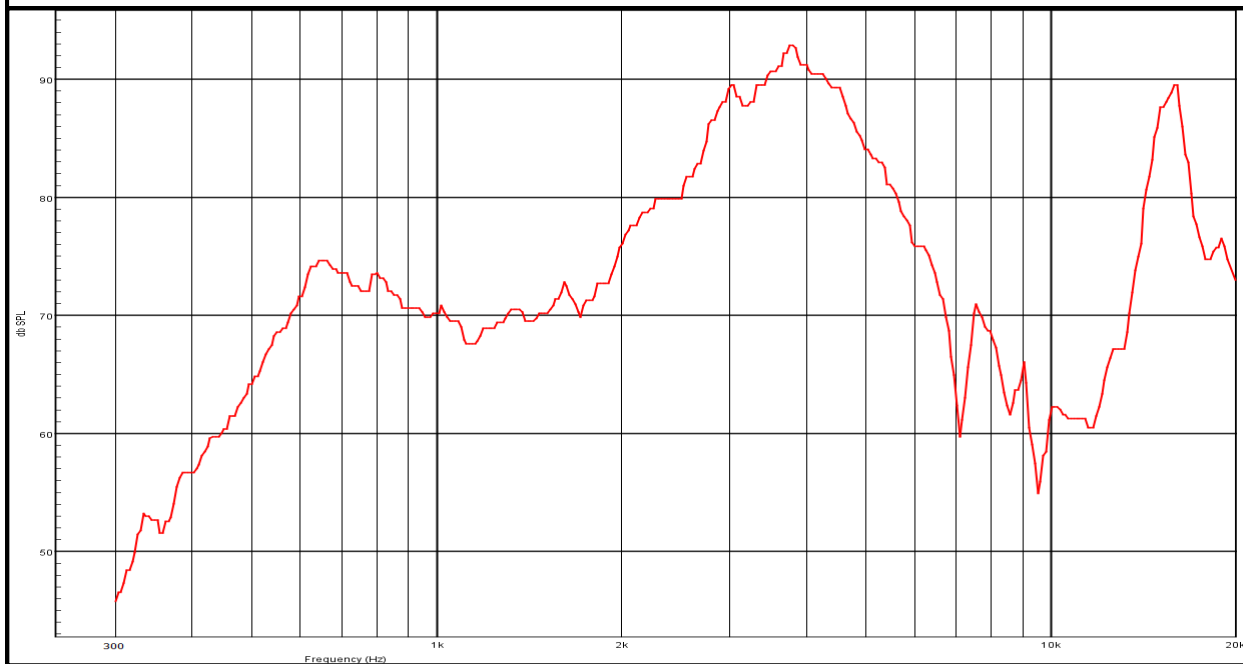
## APS2709S-T-R Piezo Speaker

3541 Stop Eight Road • Dayton, Ohio 45414

### Product Overview

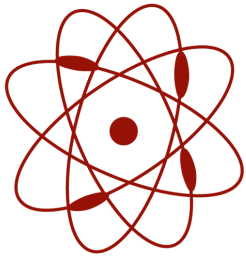
- 26.50 x 23 mm speaker built using a piezo ceramic for minimum current draw
- Designed to work with signals as high as 16Vp-p
- Only 1.5 mm thick for slim devices that need high output
- Double-sided tape for peel-and-stick mounting

Frequency Response (5Vrms @ 10 cm)



An Initiative of the EICC and GeSI



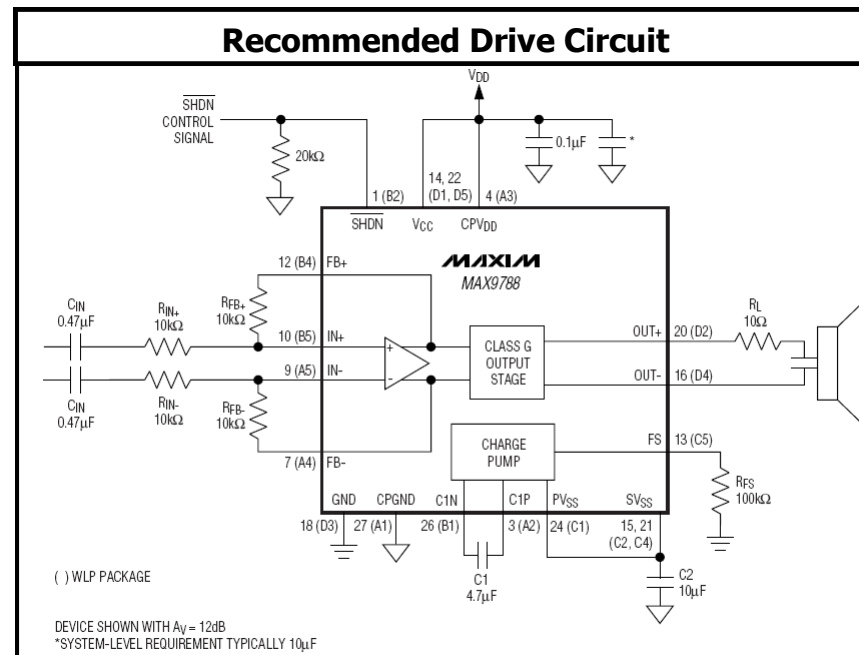


**pui**  
**audio**™ inc  
a projects unlimited company

## APS2709S-T-R Piezo Speaker

Mechanical and Environment Testing	
Test Description	Test Condition
High Temperature	85°C with random humidity for 240 hours
Low Temperature	-30°C with random humidity for 240 hours
Humidity	60°C with 90% to 95% relative humidity for 240 hours
Vibration	1.5 mm movement modulated at 10 to 55 Hz for 2 hours
Drop Test	150 cm free fall while in 150g jig, 3 cycles per side
Temperature Cycle Test	-30°C for 30 minutes to 85°C for 30 minutes, 20 cycles

After 4 hours at rest, resonant frequency shall be  $\pm 10\%$  of original value with capacitance  $\pm 20\%$  of original value.



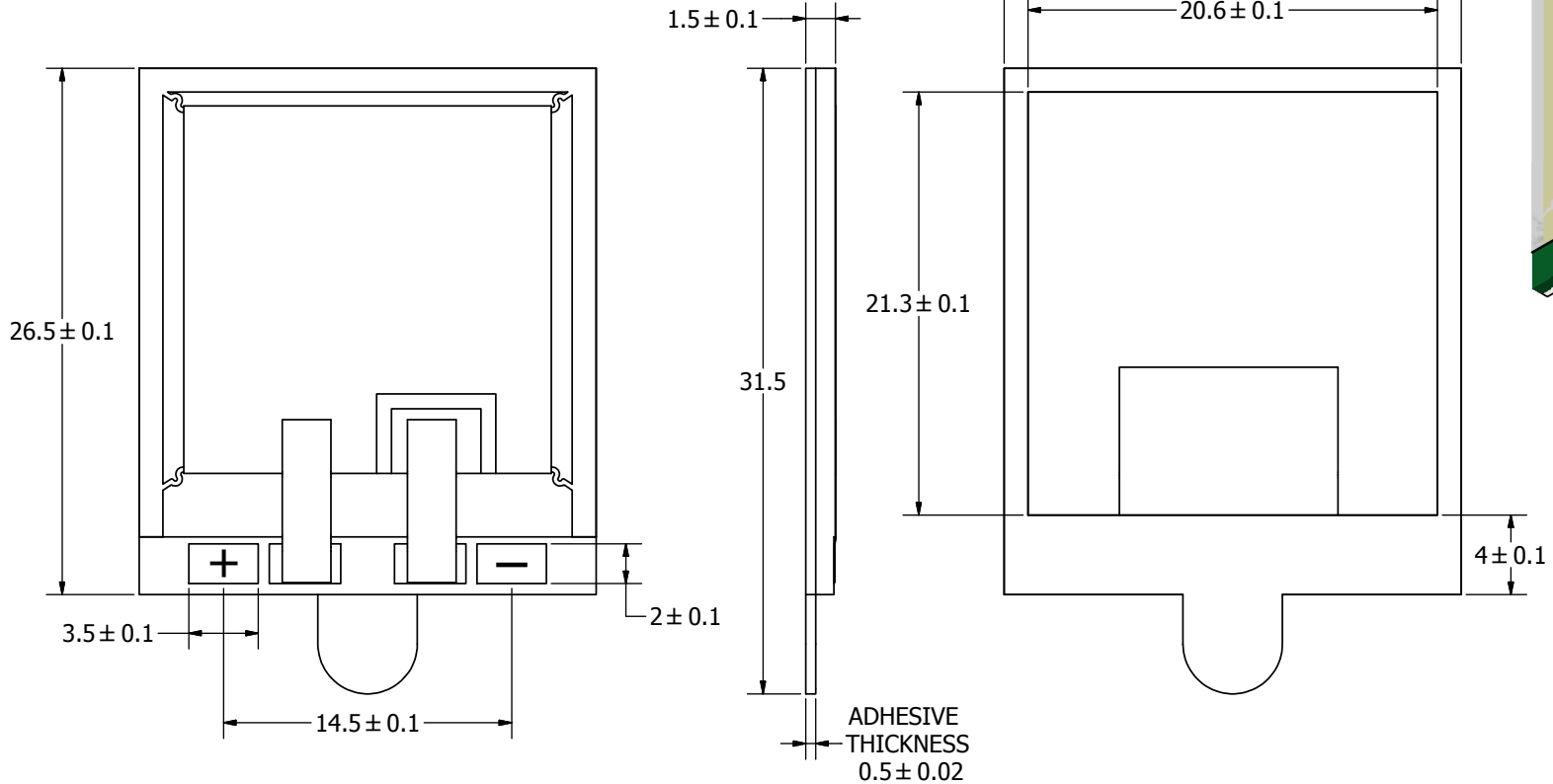
# SPECIFICATIONS

PARAMETERS	VALUES	UNITS
RATED INPUT POWER	5	Vrms
MAX INPUT POWER	16	Vp-p
OUTPUT SPL @ 5Vrms/10cm (AT 1.0, 1.5, 2.0, 2.5 kHz)	78	dBA
RESONANT FREQUENCY	1,000 ± 10%	Hz
FREQUENCY RANGE	300 ~ 20,000	Hz
HOUSING MATERIAL	PCB	-
OPERATING TEMPERATURE	-20 ~ +70	°C
WEIGHT	0.64	grams

THIS DOCUMENT CONTAINS DATA PROPRIETARY TO PROJECTS UNLIMITED, INC. ANY USE OR REPRODUCTION, IN ANY FORM, WITHOUT PRIOR WRITTEN PERMISSION OF PROJECTS UNLIMITED, INC. IS PROHIBITED.  
©2003, Projects Unlimited Inc.

# REVISION HISTORY

LTR	DESCRIPTION	DATE	APPROVED
-	RELEASED FROM ENGINEERING	8/5/2011	
A	REVISED DIMENSIONS	11/29/2011	M.L.
B	REVISED MAX INPUT POWER,SPL,RES. FREQ.& HOUSING MAT.	12/15/2011	C.W.



## NOTES:

1. ALL DIMENSIONS ARE IN MILLIMETERS.
2. SPECIFICATIONS SUBJECT TO CHANGE OR WITHDRAWL WITHOUT NOTICE.
3. THIS PART IS RoHS 2002/95/EC COMPLIANT.

UNLESS OTHERWISE SPECIFIED: DIMENSIONS ARE IN MILLIMETERS, TOLERANCES ARE $\pm 0.5$ AND ANGLES ARE $\pm 3^\circ$ .	SIZE <b>A3</b>	Designed by	Date	Checked by	Date	Approved by	Date	Drawn Date
		J.D.	8/5/2011	M.L.	8/5/2011	B.R.	8/5/2011	8/5/2011
APS2709S-T-R.idw		 <b>aps audio</b> a projects unlimited company				<b>APS2709S-T-R</b> Speaker		
						Edition	Sheet	
						-	1 / 1	

## X-ON Electronics

Largest Supplier of Electrical and Electronic Components

*Click to view similar products for [PUI Audio manufacturer](#):*

Other Similar products are found below :

[AI-2835-TF-LW150-2-R](#) [AS05008PR-6-R](#) [AS01708MR-SC-R](#) [SMT-0927-S-7-R](#) [AVW-15SBR-RL-24](#) [AB2025B-LW50-R](#) [POM-3044P-R](#)  
[AI-4228-P-C120-R](#) [AVW-15SBR-AL-24](#) [PMM-3738-VM1000-EB-2-R](#) [AB2020B-2-LW1](#) [AVW-15SBR-RL-12](#) [AW-05CR-NC](#) [AW-30SBW](#)  
[AW-30SBR](#) [AW-15SBR](#) [AWA-DBW](#) [AWB-25R6-12](#) [POW-2242L-C3310-B-R](#) [AI-4328-P-FP250-R](#) [AW-10FR-NSVC](#) [TOM-3046L-R](#)  
[AW-10PR](#) [AT-1220-TT-8-R](#) [TOM-1545S-R](#) [POM-3046L-R](#) [POM-2738L-R](#) [AS01508MS-SP11-WP-R](#) [AW-15SBW](#) [AWA-05CRC](#) [PMM-](#)  
[3738-VM1010-EB-R](#) [POW-2744P-B-R](#) [AW-10PR-NSVC](#) [AW-10FR](#) [AS09208AR-R](#) [AWA-DBR](#) [X-5735-LW350-S-2-R](#) [POM-2742P-2-R](#)  
[AI-4429-P-C12-2-R](#) [AOM-4542L-R](#) [TNM-3054L-R](#) [AI-5025-TWT-R](#) [AT-1810-T-LW50-R](#) [PMM-3738-VM1000-EB-R](#) [AI-4329-P-SP28-R](#)  
[ASX03308-SM-R](#) [AS06008PS-R](#) [AS05008PR-2-R](#) [AS01808AO-3-R](#) [ASX03304-R](#)