

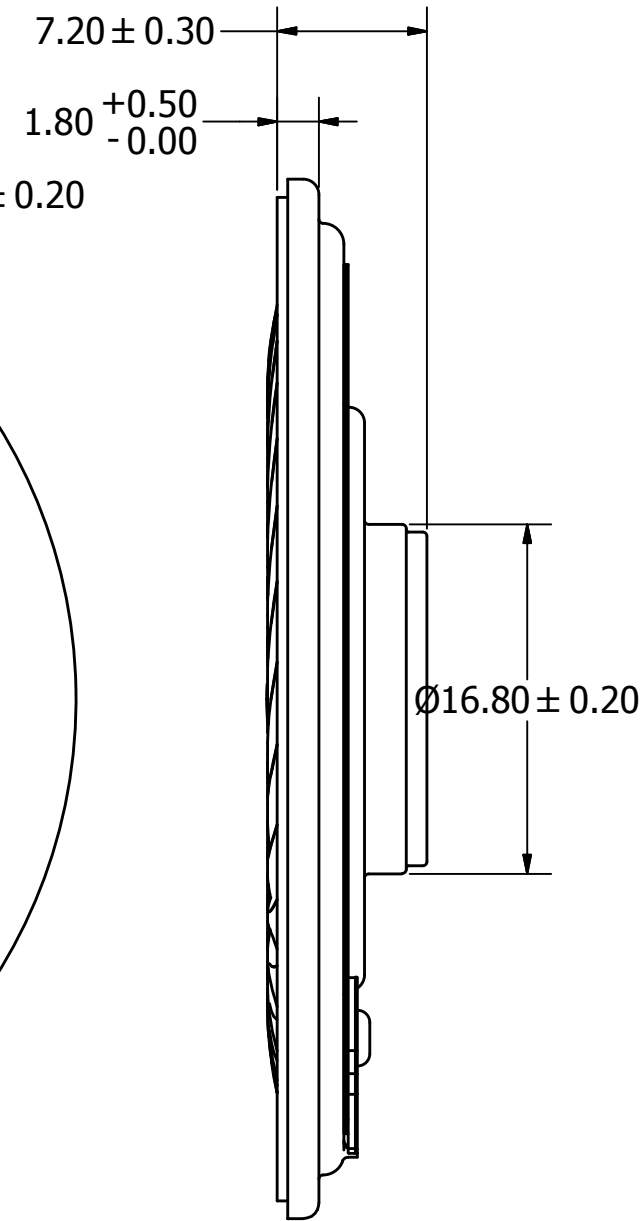
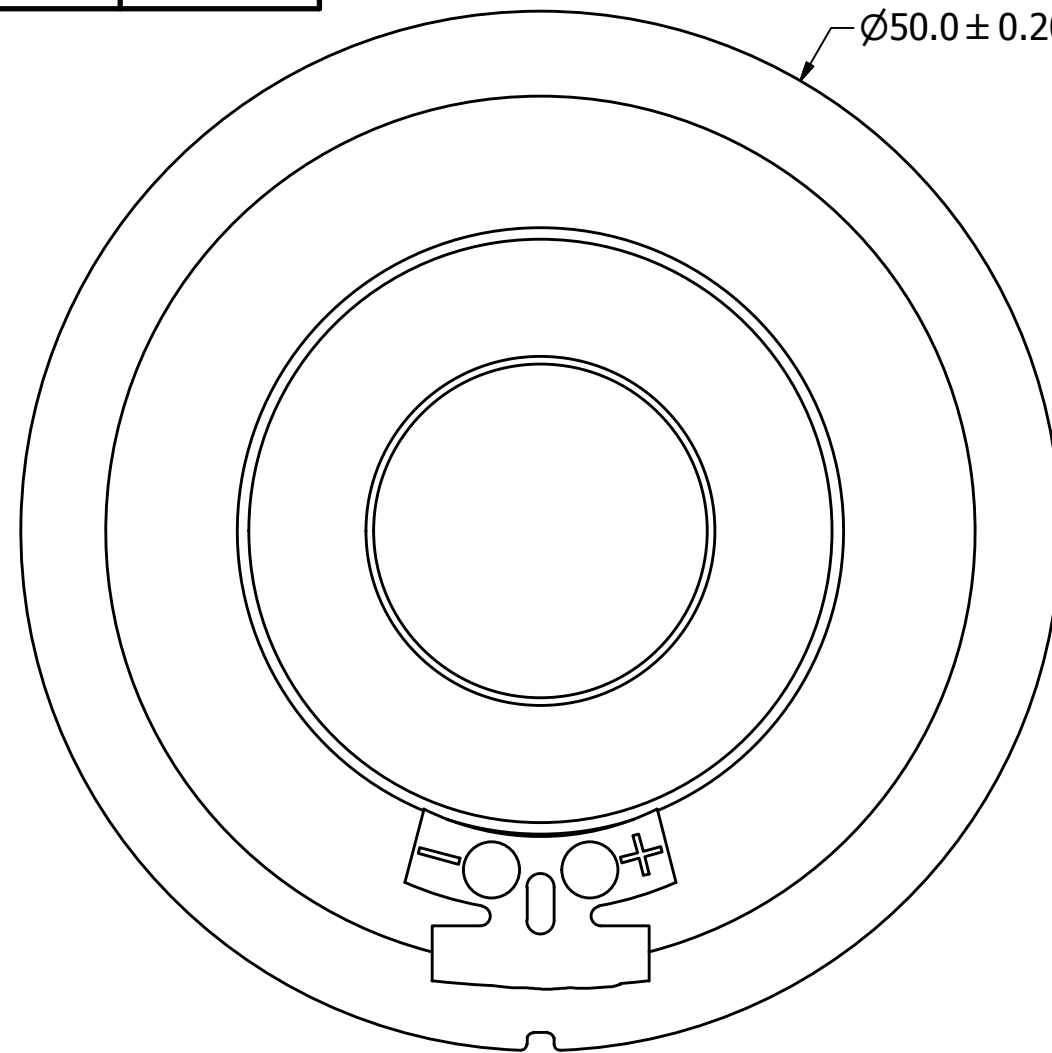
# SPECIFICATIONS

| PARAMETERS  | VALUES       | UNITS |
|---|--------------|-------|
| RATED INPUT POWER                                     | 1.5          | W     |
| MAX INPUT POWER                                       | 2            | W     |
| IMPEDANCE   | 8 ± 15%      | OHM   |
| OUTPUT SPL @ 0.1W/0.1M<br>(AT 0.6, 0.8, 1.0, 1.2 kHz) | 92 ± 3       | dB    |
| DISTORTION (MAX.)                                     | 5%           | -     |
| RESONANT FREQUENCY                                    | 350 ± 20%    | Hz    |
| FREQUENCY RANGE                                       | 350 ~ 20,000 | Hz    |
| HOUSING MATERIAL                                      | METAL        | -     |
| CONE MATERIAL   | MYLAR        | -     |
| MAGNET MATERIAL                                       | N35          | -     |
| OPERATING TEMPERATURE                                 | -20 ~ +60    | °C    |
| WEIGHT  | 13.2         | grams |

THIS DOCUMENT CONTAINS DATA PROPRIETARY TO PROJECTS UNLIMITED, INC. ANY USE OR REPRODUCTION, IN ANY FORM, WITHOUT PRIOR WRITTEN PERMISSION OF PROJECTS UNLIMITED, INC. IS PROHIBITED.  
©2003, Projects Unlimited Inc.

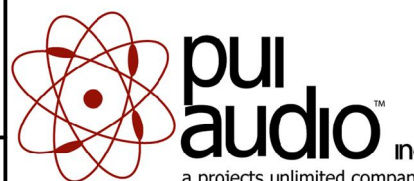
# REVISION HISTORY

| LTR | DESCRIPTION                              | DATE      | APPROVED |
|-----|--|-----------|----------|
| -   | RELEASED FROM ENGINEERING                | 2/22/2006 |          |
| A   | REVISED TO INVENTOR 3-D DRAWING TEMPLATE | 1/7/2009  | B.R.     |
| B   | REVISED OPERATING TEMP                   | 8/22/2013 | M.L.     |
| C   | CORRECT RESONANT FREQUENCY TOLERANCE     | 6/17/2015 | M.L.     |
| D   | UPDATED EDGE THICKNESS TOLERANCE         | 7/6/2017  | M.V.     |



### NOTES:

1. ALL DIMENSIONS ARE IN MILLIMETERS.
2. SPECIFICATIONS SUBJECT TO CHANGE OR WITHDRAWL WITHOUT NOTICE.
3. THIS PART IS RoHS 2011/65/EU COMPLIANT.

|  |                   |   |           |  |           |             |           |            |
|--|-------------------|---|-----------|--|-----------|-------------|-----------|------------|
| UNLESS OTHERWISE SPECIFIED:<br>DIMENSIONS ARE IN MILLIMETERS,<br>TOLERANCES ARE ±0.5 AND ANGLES ARE ±3°. | SIZE<br><b>A3</b> | Designed by   | Date      | Checked by                             | Date      | Approved by | Date      | Drawn Date |
|  |                   | J.A.F.  | 2/22/2006 | B.R.                                   | 2/22/2006 | E.P.        | 2/22/2006 | 1/7/2009   |
| AS05008MR-4-R.idw  |                   | <br>a projects unlimited company |           | <b>AS05008MR-4-R</b><br><b>Speaker</b> |           |             | Edition   | Sheet      |
|  |                   |   |           |  |           | -           | 1 / 1     |            |

## X-ON Electronics

Largest Supplier of Electrical and Electronic Components

*Click to view similar products for [Speakers & Transducers](#) category:*

*Click to view products by [PUI Audio](#) manufacturer:*

Other Similar products are found below :

[FC-30814-P127](#) [AS02832MR-2-R](#) [PB-1220PE](#) [PB-2015PQ](#) [900-00001](#) [AB2025B-LW50-R](#) [SWFK-31736-000](#) [PT-2065FW](#) [PT-4175W](#) [AT-2830-TW-LW35-R](#) [ED-30761-000](#) [CI-30120-A42](#) [SMT-0440-T-2-R](#) [PB-0927PQ](#) [BF-7083-000](#) [BF-9778-000](#) [MBS 3000-1811-A1AB08-0](#) [SMS2020-08H4.5 LF](#) [BDT1717-08H6.5W56MLF](#) [02094](#) [02097](#) [GSPK1003PN-8R0.2W-L100](#) [GSPK151103TN-8R0.2W](#) [GSPK2014035PN-8R0.5W-L100](#) [FS5353DS0830-H19.3](#) [TE082703-8](#) [XMLP040BD21F](#) [AS03608MR-LW100-R](#) [24520](#) [SMT-0540-S-2-R](#) [1450069](#) [9091653](#) [9091661](#) [IPS-G6000-5](#) [9090231](#) [FS50MS0820-H9.7](#) [FS4014-4-2W](#) [PBM4-13.B31R.A115.0663](#) [PBM4-13.B33R.A115.0663](#) [PBM4-13.B35R.A115.0663](#) [A-10-6-BG360-HD1Z-GA-M4Z-ZW](#) [A-10-6-BG410-HD1Z-AA-AGZ-ZW](#) [A-10-6-BG410-HD1Z-AA-M4Z-ZW](#) [A-10-6-BG410-HD1Z-FC-AGZ-ZW](#) [A-10-6-BG410-HD1Z-GA-M4Z-ZW](#) [A-10-6-BG310-HD1Z-AA-AGZ-ZW](#) [A-10-6-BG310-HD1Z-AA-M4Z-ZW](#) [A-10-6-BG310-HD1Z-GA-M4Z-ZW](#) [A-10-6-BG316-HD1Z-AA-AGZ-ZW](#) [A-10-6-BG316-HD1Z-AA-M4Z-ZW](#)