



Data Sheet

AS06606SR-R

More than ever before, high quality audio is the determining factor that distinguishes your product from the fray. When the sound quality of your product is on the line, choose **High Fidelity** speakers from PUI Audio.

The **AS06606SR-R** is a small, high-output, silk dome tweeter designed for frequencies above 2 kHz, allowing it to be used for siren applications and can also be used in combination with other speakers for high fidelity applications.

Features:

- Silk dome diaphragm
- 30W max power handling (with 18 dB/octave 2 kHz high-pass filter)
- High-energy shielded motor design with large heatsink
- Capable of over 100 dB of output at 1 meter
- Three screw-hole mounting flange with waveguide
- Amplifier-friendly 6 ohm impedance

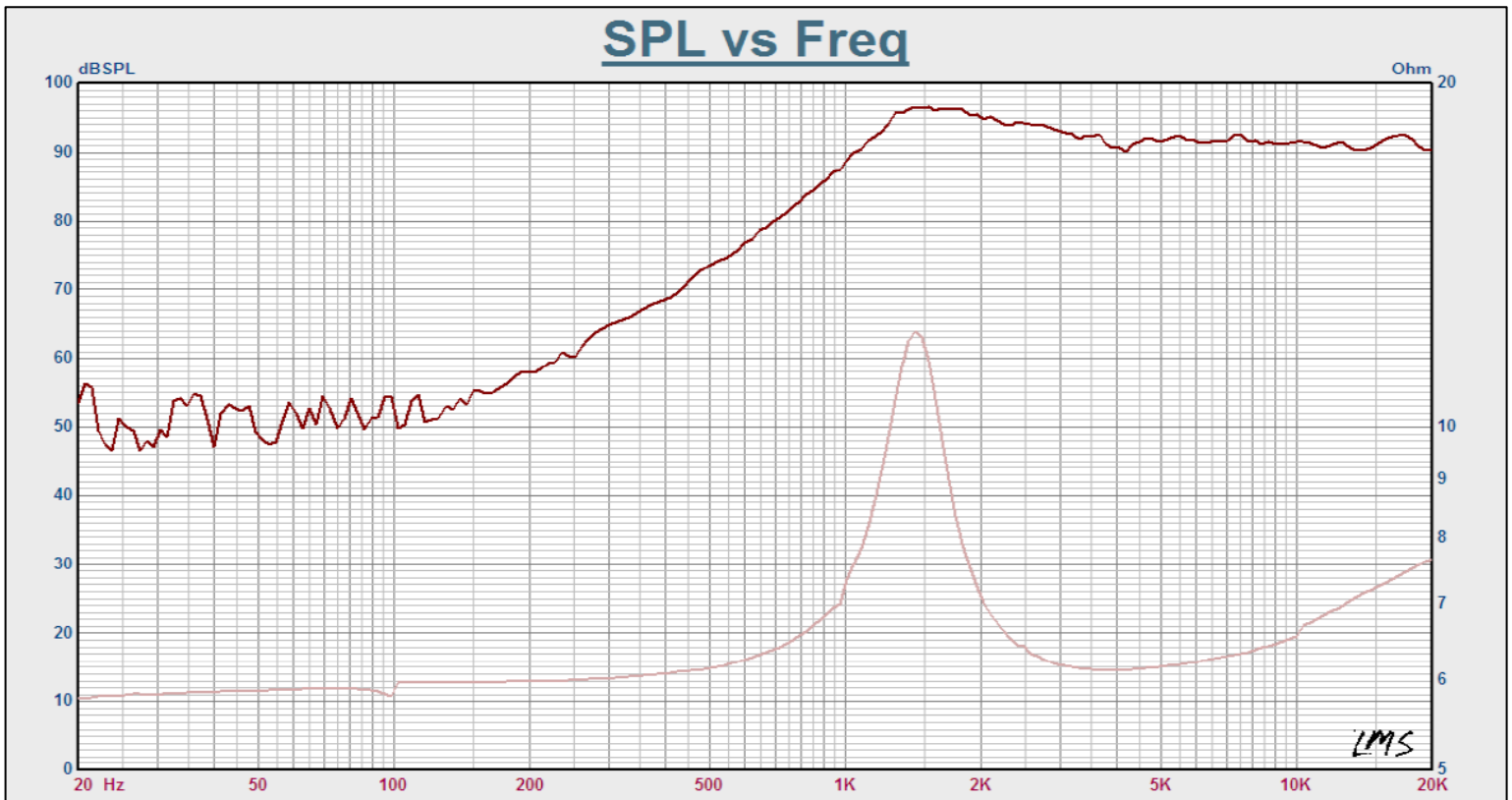
Specifications

Parameters	Values	Units
Rated Input Power	15	Watts
Max Input Power	30	Watts
Impedance	6 ± 15%	Ohms
Sensitivity (SPL @ 1W/1m) Average 3, 5, 10, 15 kHz	90 ± 3	dB
Resonant Frequency	1,800± 20%	Hz
Frequency Range	1,500 ~ 20,000	Hz
Frame Material	ABS	-
Magnet Material	NdFeB	-
Weight	63	Grams

Specifications (continued)

Buzz, Rattle, etc.	Should not be audible with 6.7V sine wave from 1.5 kHz to 20 kHz with series 3.3 μ F non-polarized capacitor	-
Polarity	When positive voltage is applied to the positive terminal, the diaphragm will move outward	-
Operating Temperature	-10 ~ +60	°C

Frequency and Impedance Response (IEC baffle with 2.45V input and microphone spaced at 1m)

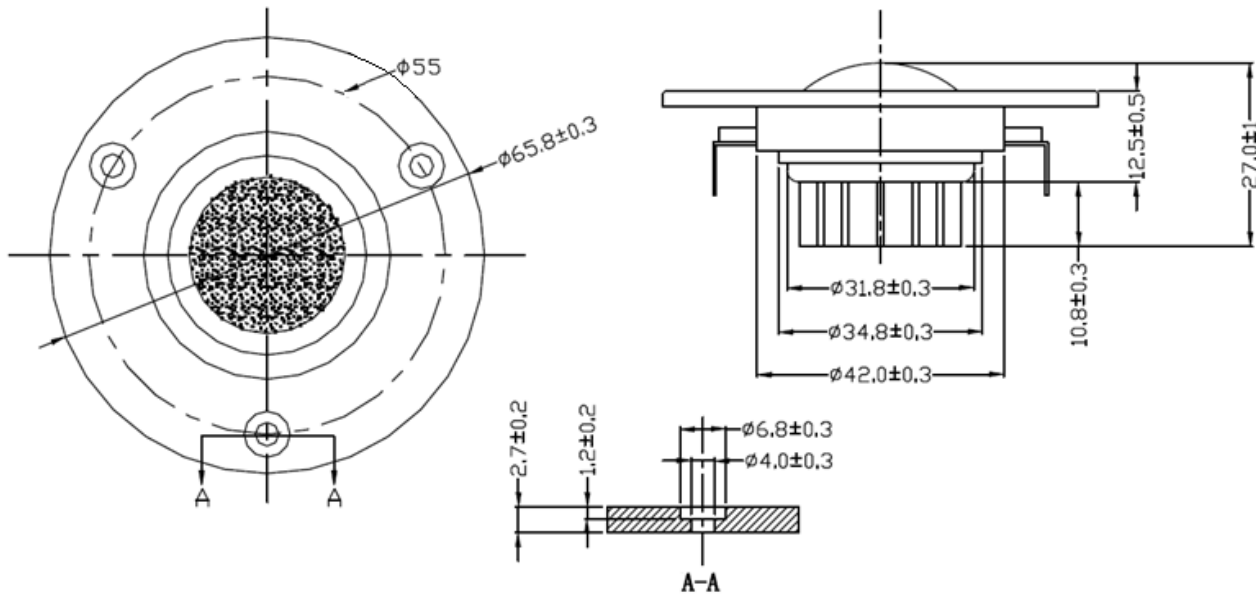


Reliability Testing

Type of Test	Test Specifications
High Temperature Test	48 hours at +60°C ± 2°C followed by three hours in normal room temperature
Low Temperature Test	48 hours at -10°C ± 2°C followed by three hours in normal room temperature
Humidity Test	48 hours at +40°C ± 3°C with relative humidity at 90%~95% followed by 6 hours in normal room temperature
Drop Test	600mm ±25mm at 60°±5°
Load Test	9.84V white noise signal applied for 48 hours with a series 3.3µF non-polarized capacitor

After each test, the speaker's SPL shall be ±3 dB of the original SPL

Dimensions (Larger terminal is positive)



Specifications Revisions

Revision	Description	Date
-	Released from Engineering	5/11/2018

Note:

1. Unless otherwise specified:
 - A. All dimensions are in millimeters.
 - B. Default tolerances are $\pm 0.5\text{mm}$ and angles are $\pm 3^\circ$.
2. Specifications subject to change or withdrawal without notice.
3. This part is RoHS 2011/65/EU Compliant.

X-ON Electronics

Largest Supplier of Electrical and Electronic Components

Click to view similar products for [Speakers & Transducers](#) category:

Click to view products by [PUI Audio](#) manufacturer:

Other Similar products are found below :

[FC-30814-P127](#) [AS02832MR-2-R](#) [PB-1220PE](#) [PB-2015PQ](#) [900-00001](#) [AB2025B-LW50-R](#) [SWFK-31736-000](#) [PT-2065FW](#) [PT-4175W](#) [AT-2830-TW-LW35-R](#) [ED-30761-000](#) [CI-30120-A42](#) [SMT-0440-T-2-R](#) [PB-0927PQ](#) [BF-7083-000](#) [BF-9778-000](#) [MBS 3000-1811-A1AB08-0](#) [SMS2020-08H4.5 LF](#) [BDT1717-08H6.5W56MLF](#) [02094](#) [02097](#) [GSPK1003PN-8R0.2W-L100](#) [GSPK151103TN-8R0.2W](#) [GSPK2014035PN-8R0.5W-L100](#) [FS5353DS0830-H19.3](#) [TE082703-8](#) [XMLP040BD21F](#) [AS03608MR-LW100-R](#) [24520](#) [SMT-0540-S-2-R](#) [1450069](#) [9091653](#) [9091661](#) [IPS-G6000-5](#) [9090231](#) [FS50MS0820-H9.7](#) [FS4014-4-2W](#) [PBM4-13.B31R.A115.0663](#) [PBM4-13.B33R.A115.0663](#) [PBM4-13.B35R.A115.0663](#) [A-10-6-BG360-HD1Z-GA-M4Z-ZW](#) [A-10-6-BG410-HD1Z-AA-AGZ-ZW](#) [A-10-6-BG410-HD1Z-AA-M4Z-ZW](#) [A-10-6-BG410-HD1Z-FC-AGZ-ZW](#) [A-10-6-BG410-HD1Z-GA-M4Z-ZW](#) [A-10-6-BG310-HD1Z-AA-AGZ-ZW](#) [A-10-6-BG310-HD1Z-AA-M4Z-ZW](#) [A-10-6-BG310-HD1Z-GA-M4Z-ZW](#) [A-10-6-BG316-HD1Z-AA-AGZ-ZW](#) [A-10-6-BG316-HD1Z-AA-M4Z-ZW](#)