



pui
audio™ inc
a projects unlimited company

AS07708PS-2-WR-R 77mm Speaker

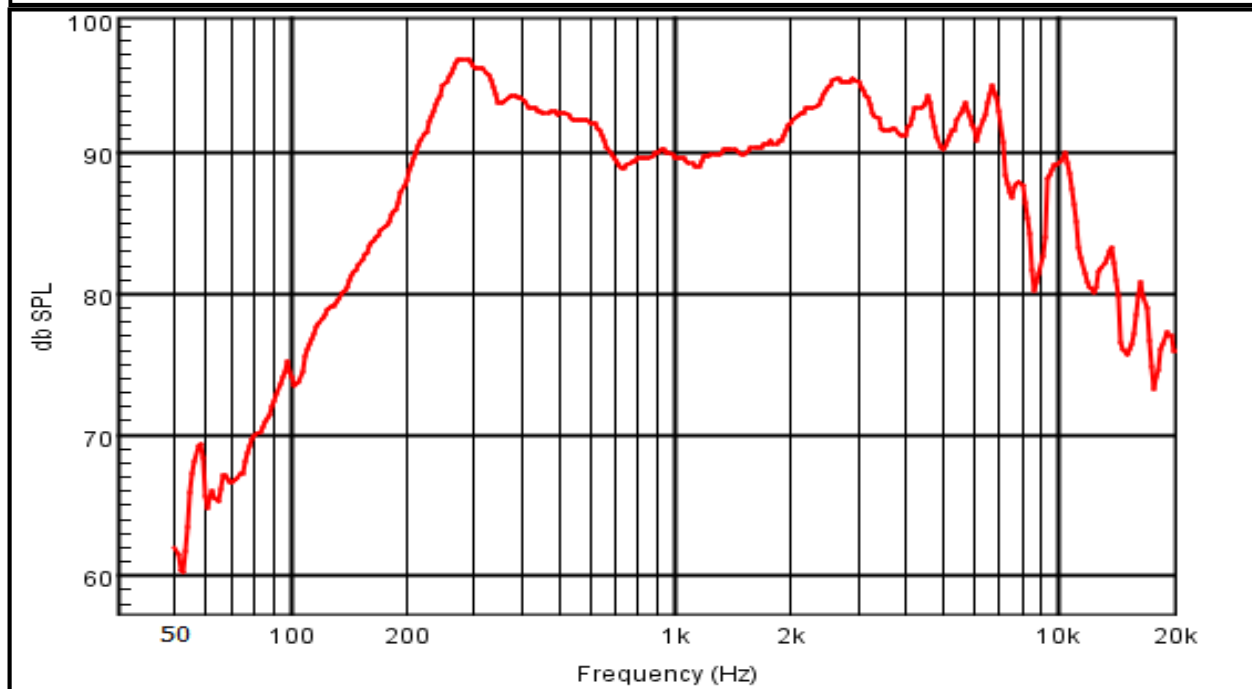
3541 Stop Eight Road • Dayton, Ohio 45414

Product Overview

- 77mm speaker with square frame and 90 dB sensitivity
- 4W continuous, 8W maximum power handling and 8Ω impedance
- Water-resistant treated paper cone for natural sound

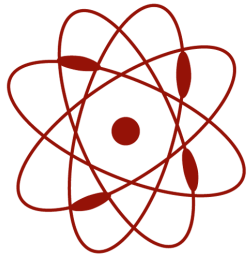


Frequency Response (1W @ 0.5 meters)



RoHS Compliant





pui
audio™ inc
a projects unlimited company

AS07708PS-2-WR-R

77mm Speaker

Mechanical and Environment Testing	
Test Description	Test Condition
High Temperature	85°C (±2°C) with random humidity for 48 hours
Low Temperature	-40°C (±2°C) with random humidity for 48 hours
Humidity	40°C (±2°C) with 90% to 95% relative humidity for 48 hours
Power Test	White noise @ 4W input power for 48 hours
Buzz and Rattle Test	5.66V sine wave
After tests, speaker shall rest for 1 hour. SPL shall not deviate ±3 dB from pre-test measurement.	
Temperature Cycle Test	-10°C to 40°C, 4 cycles (refer to Temperature Cycle Test Graph)
After test, speaker shall rest for 1 hour. SPL shall not deviate ±3 dB from pre-test measurement.	

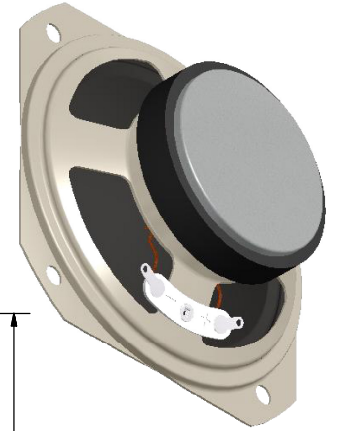
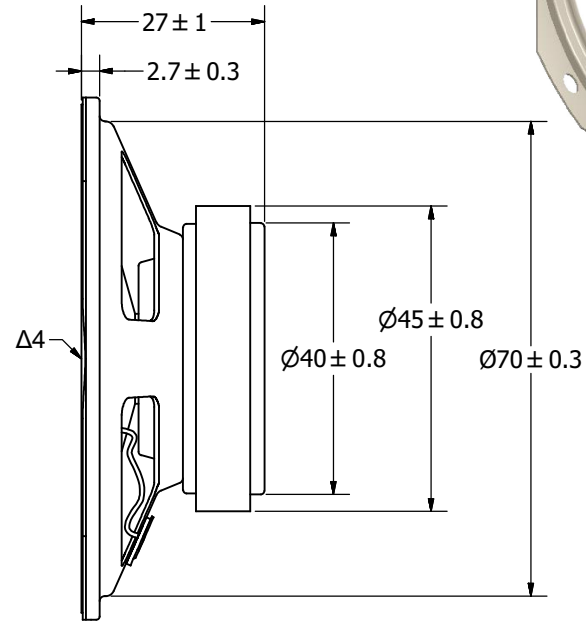
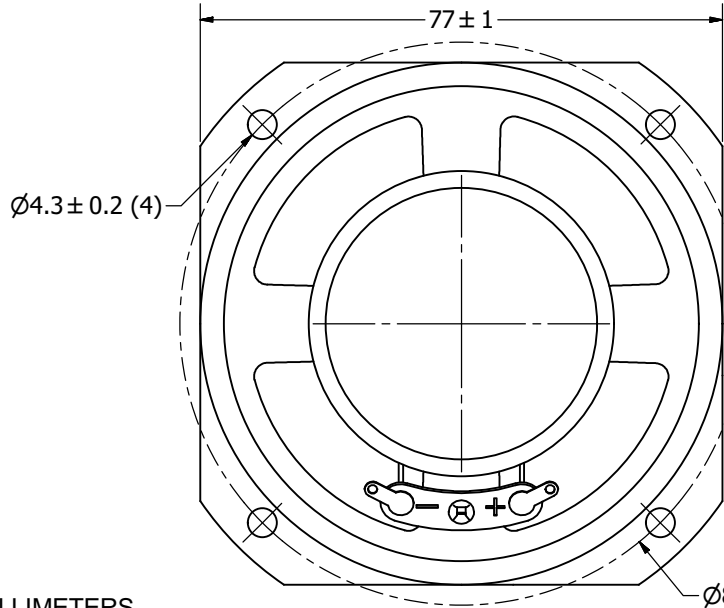
SPECIFICATIONS

PARAMETERS	VALUES	UNITS
RATED INPUT POWER	4	W
MAX INPUT POWER	8	W
IMPEDANCE	8 ± 15%	OHM
OUTPUT SPL @ 1W/.5M (AT 0.4, 0.6, 0.8, 1.0 KHz)	90 ± 3	dBA
DISTORTION (MAX.)	5%	-
RESONANT FREQUENCY	250 ± 20%	Hz
FREQUENCY RANGE	250 ~ 10,000	Hz
HOUSING MATERIAL	METAL	-
CONE MATERIAL	TREATED PAPER	-
MAGNET MATERIAL	FERRITE	-
OPERATING TEMPERATURE	-40 ~ +85	°C
WEIGHT	118	grams

THIS DOCUMENT CONTAINS DATA PROPRIETARY TO PROJECTS UNLIMITED, INC. ANY USE OR REPRODUCTION, IN ANY FORM, WITHOUT PRIOR WRITTEN PERMISSION OF PROJECTS UNLIMITED, INC. IS PROHIBITED.
©2003, Projects Unlimited Inc.

REVISION HISTORY

LTR	DESCRIPTION	DATE	APPROVED
-	RELEASED FROM ENGINEERING	3/30/2006	
A	ADDED MOUNTING HOLE DIMENSION	12/19/2007	R.W.
B	REVISED TO INVENTOR 3-D DRAWING TEMPLATE	1/28/2009	B.R.
C	REVISED SEVERAL DIMENSIONS AND SPECIFICATIONS	1/24/2011	B.R.
D	ADDED NOTE 5	8/12/2011	B.R.
E	REVISED HOLE TO HOLE DIMENSION, ROHS STATUS, SPL DISTANCE	7/16/2013	M.L.
F	REVISED OPERATING TEMPERATURE	9/16/2013	M.L.



NOTES:

1. ALL DIMENSIONS ARE IN MILLIMETERS.
2. SPECIFICATIONS SUBJECT TO CHANGE OR WITHDRAWL WITHOUT NOTICE.
3. THIS PART IS RoHS 2011/65/EU COMPLIANT.
- Δ4. CONE HAS BEEN TREATED FOR WATER RESISTANCE.
5. BASE SPEAKER PUI# AS07708PS-2-R.

UNLESS OTHERWISE SPECIFIED: DIMENSIONS ARE IN MILLIMETERS, TOLERANCES ARE ±0.5 AND ANGLES ARE ±3°.	SIZE A3	Designed by	Date	Checked by	Date	Approved by	Date	Drawn Date
		B.R.	3/30/2006	B.R.	3/30/2006	E.P.	3/30/2006	1/28/2009
AS07708PS-2-WR-R.idw		 AS07708PS-2-WR-R Speaker				Edition	Sheet	
						-	1 / 1	

X-ON Electronics

Largest Supplier of Electrical and Electronic Components

Click to view similar products for [Speakers & Transducers](#) category:

Click to view products by [PUI Audio](#) manufacturer:

Other Similar products are found below :

[FC-30814-P127](#) [AS02832MR-2-R](#) [PB-1220PE](#) [PB-2015PQ](#) [900-00001](#) [AB2025B-LW50-R](#) [SWFK-31736-000](#) [PT-2065FW](#) [PT-4175W](#) [AT-2830-TW-LW35-R](#) [ED-30761-000](#) [CI-30120-A42](#) [SMT-0440-T-2-R](#) [PB-0927PQ](#) [BF-7083-000](#) [BF-9778-000](#) [SMS2020-08H4.5 LF](#) [BDT1717-08H6.5W56MLF](#) [02094](#) [02097](#) [GSPK1003PN-8R0.2W-L100](#) [GSPK151103TN-8R0.2W](#) [GSPK2014035PN-8R0.5W-L100](#) [FS5353DS0830-H19.3](#) [TE082703-8](#) [XMLP040BD21F](#) [AS03608MR-LW100-R](#) [24520](#) [SMT-0540-S-2-R](#) [1450069](#) [9091653](#) [9091661](#) [IPS-G6000-5](#) [9090231](#) [FS50MS0820-H9.7](#) [FS4014-4-2W](#) [PBM4-13.B31R.A115.0663](#) [PBM4-13.B33R.A115.0663](#) [PBM4-13.B35R.A115.0663](#) [A-10-6-BG360-HD1Z-GA-M4Z-ZW](#) [A-10-6-BG410-HD1Z-AA-AGZ-ZW](#) [A-10-6-BG410-HD1Z-AA-M4Z-ZW](#) [A-10-6-BG410-HD1Z-FC-AGZ-ZW](#) [A-10-6-BG410-HD1Z-GA-M4Z-ZW](#) [A-10-6-BG310-HD1Z-AA-AGZ-ZW](#) [A-10-6-BG310-HD1Z-AA-M4Z-ZW](#) [A-10-6-BG310-HD1Z-GA-M4Z-ZW](#) [A-10-6-BG316-HD1Z-AA-AGZ-ZW](#) [A-10-6-BG316-HD1Z-AA-M4Z-ZW](#) [A-10-6-BG325-HD1Z-AA-AGZ-ZW](#)