



PUI audio



Data Sheet

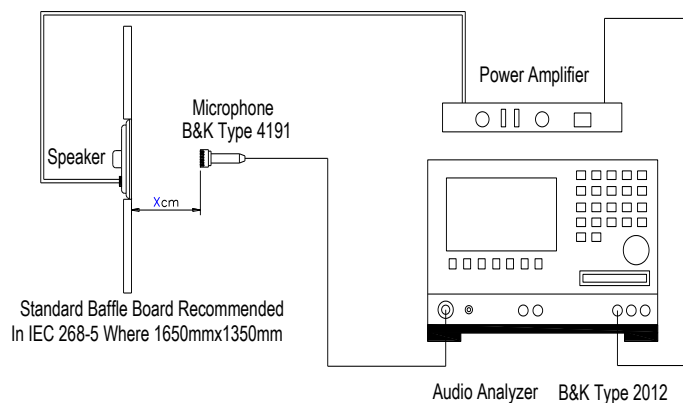
AS07708PS-7-WR-R

Specifications

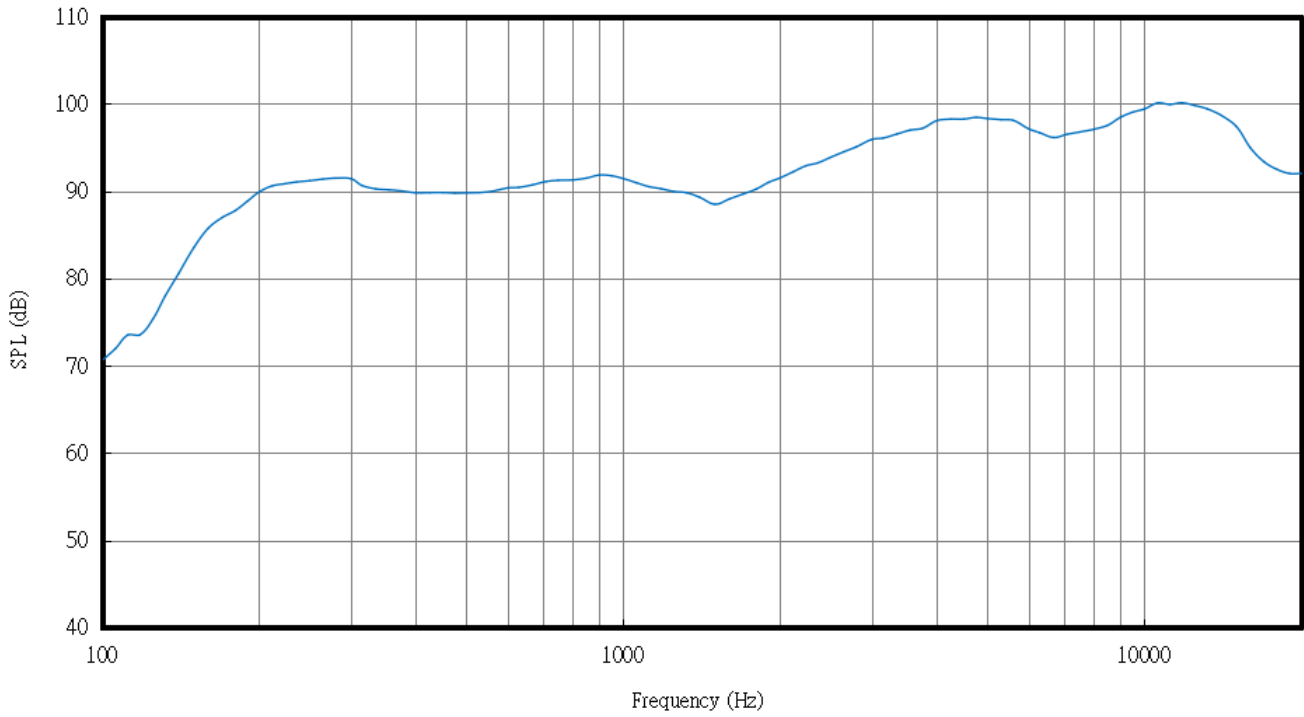
Parameters	Values	Units
Rated Input Power	4	Watts
Max Input Power	8	Watts
Impedance	8 ± 15%	Ohms
Sensitivity SPL @ 1W/50cm (AVG. 0.4, 0.5, 0.6, and 0.8 kHz)	90 ± 3	dBA
Distortion (Max @ 1W, 1 kHz)	<5%	-
Resonant Frequency	250 ± 20%	Hz
Frequency Range	200 ~ 20,000	Hz
Diaphragm Material	Treated Paper	-
Housing Material	SPCC metal	-
Magnet Material	Ferrite	-
Weight	109	Grams
Environmental Compliance	ROHS/REACH	-
Ingress Protection	-	-
Buzz, Rattle, etc.	Should not be audible with 5.65V sine wave from 200Hz to 5kHz	-
Polarity	When positive voltage is applied to the positive terminal, the diaphragm will move outward	-
Operating Temperature	-40 ~ +80	°C
Storage Temperature	-40 ~ +80	°C

Measurement Method

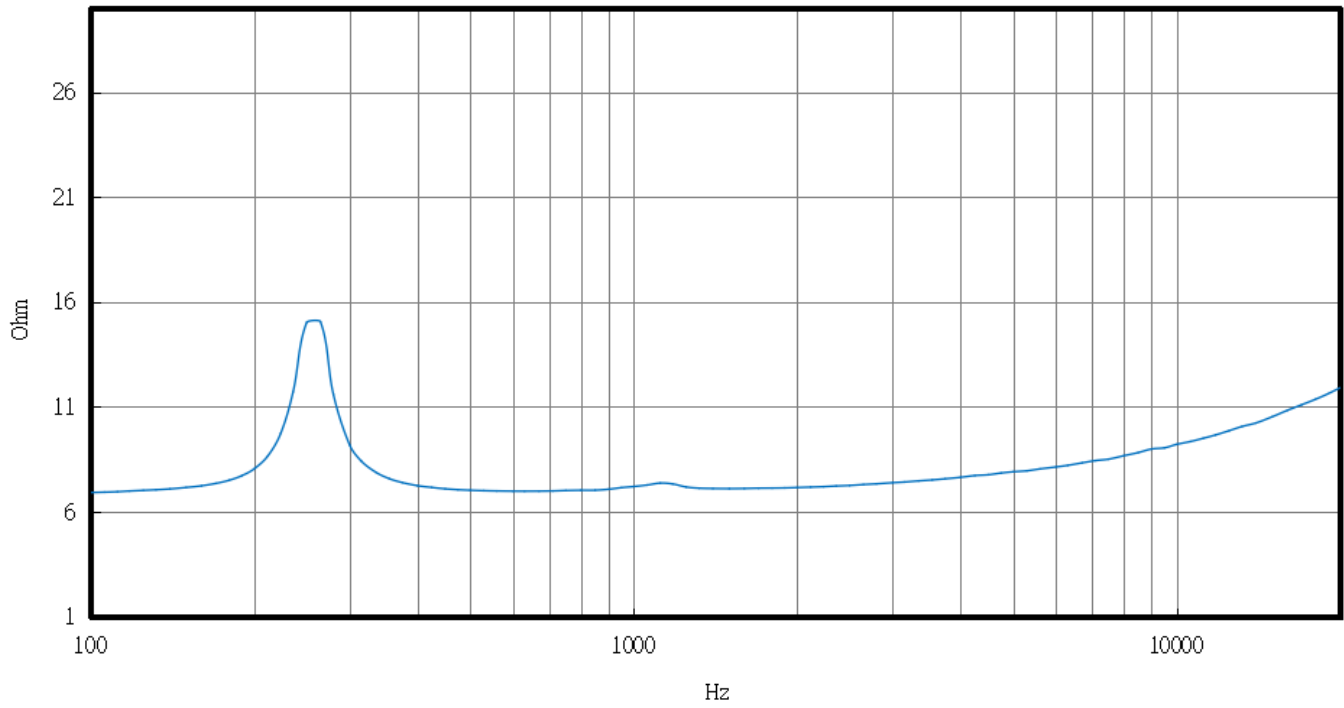
Standard test condition of speaker



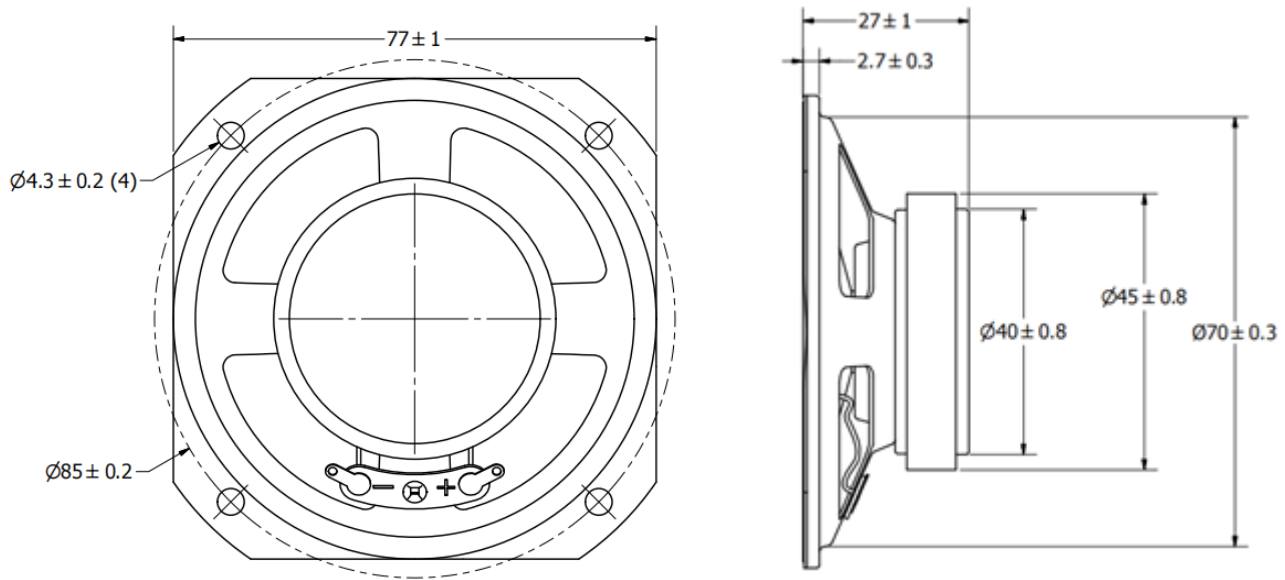
Frequency Response Curve (1W, 50cm)



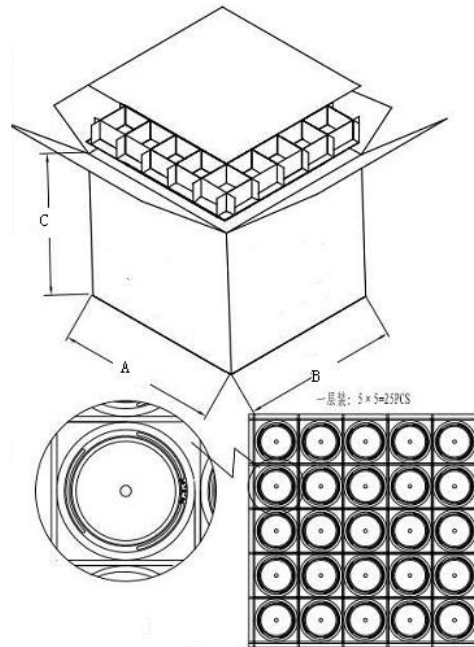
Impedance Curve



Dimensions



Packaging



46 x 46 x 16cm
25pcs Tray
100pcs Carton

Specifications Revisions

Revision	Description	Date
A	Released from Engineering	5/23/2022

Note:

- 1. Unless otherwise specified:
 - A. All dimensions are in millimeters.
 - B. Default tolerances are $\pm 0.5\text{mm}$ and angles are $\pm 3^\circ$.
- 2. Specifications subject to change or withdrawal without notice.
- 3. Speaker face has been treated for water resistance.

X-ON Electronics

Largest Supplier of Electrical and Electronic Components

Click to view similar products for [Speakers & Transducers](#) category:

Click to view products by [PUI Audio](#) manufacturer:

Other Similar products are found below :

[FC-30814-P127](#) [AS02832MR-2-R](#) [PB-1220PE](#) [SWFK-31736-000](#) [PT-2065FW](#) [PT-4175W](#) [SMS2020-08H4.5 LF](#) [BDT1717-08H6.5W56MLF](#) [AS03608MR-LW100-R](#) [FS7033NB0830-H15.5-R01](#) [FS7833NB0830-H19.0-R01](#) [FS77DS0850-H24-R01](#) [GSPK5010TN-4R2W](#) [GSPK5010TN-4R3W](#) [KLJ-1504R8W0.5-L44](#) [FS7423NB0430-H10.0](#) [FS50DS0430-H12.7 PEI](#) [FS3511NB0808-H6.7-R01](#) [FS66W04100-H31](#) [FS45DS0880-H24.8-R02](#) [FS32NS0820-H5.8-R01](#) [FS2112NB0807-H7.0-R01](#) [FS3520NS0820-H7.9-P1.25-L60](#) [FS50DS0430-H13.3-R24](#) [FS3411P08-H4.0](#) [FS26NS0820-H4.9-R01](#) [FS14430NB0880-H30-R01](#) [FS5835DS0850-H19.4-R01](#) [FS2011NB0807-H3.9-R01](#) [FS28DS0820-H9.4-R01](#) [FS66W0830-H27](#) [FS66W0850-H22](#) [FS40DS0830-H11.2-P2.0-L100](#) [FS28DS0830-H15.3](#) [FS3525NS0820-H5.5-R01](#) [FS5035NB0820-H26.8-R01](#) [FS27DS0830-H10.8-R01](#) [FS3915NB0808-H11.5-R01](#) [FS3020NB0808-H4.0-R01](#) [FS3616NB0808-H10-R01](#) [FS3514NB0808-H6.0-R01](#) [FS40DS0450-H18.3](#) [FS77W0450-H23.5](#) [FS77W0850-H25.5](#) [FS78W0850-H34](#) [FS3411P04-H4.0](#) [FS3232NB0820-H15.3-R01](#) [FS50DS0830-H12.7 PEI](#) [FS5630NB0830-H9.4-R01](#) [FS7033NB0430-H15.5-R01](#)