

SPECIFICATIONS

| PARAMETERS | VALUES | UNIT |
|-------------------------|------------------|-------|
| RATED VOLTAGE | 12 | Vp-p |
| OPERATING VOLTAGE RANGE | 9 ~ 15 | Vp-p |
| RATED CURRENT (MAX) | 40 | mA |
| COIL RESISTANCE | 115 ± 12 | OHM |
| MINIMUM SPL @ 10 CM | 85 | dBa |
| RESONANT FREQUENCY | 2,048 ± 500 | Hz |
| OPERATING TEMPERATURE | -40 ~ +85 | °C |
| STORAGE TEMPERATURE | -30 ~ +80 | °C |
| HOUSING MATERIAL | NORYL | - |
| TERMINAL MATERIAL | Sn PLATED COPPER | - |
| WEIGHT | 5 | grams |

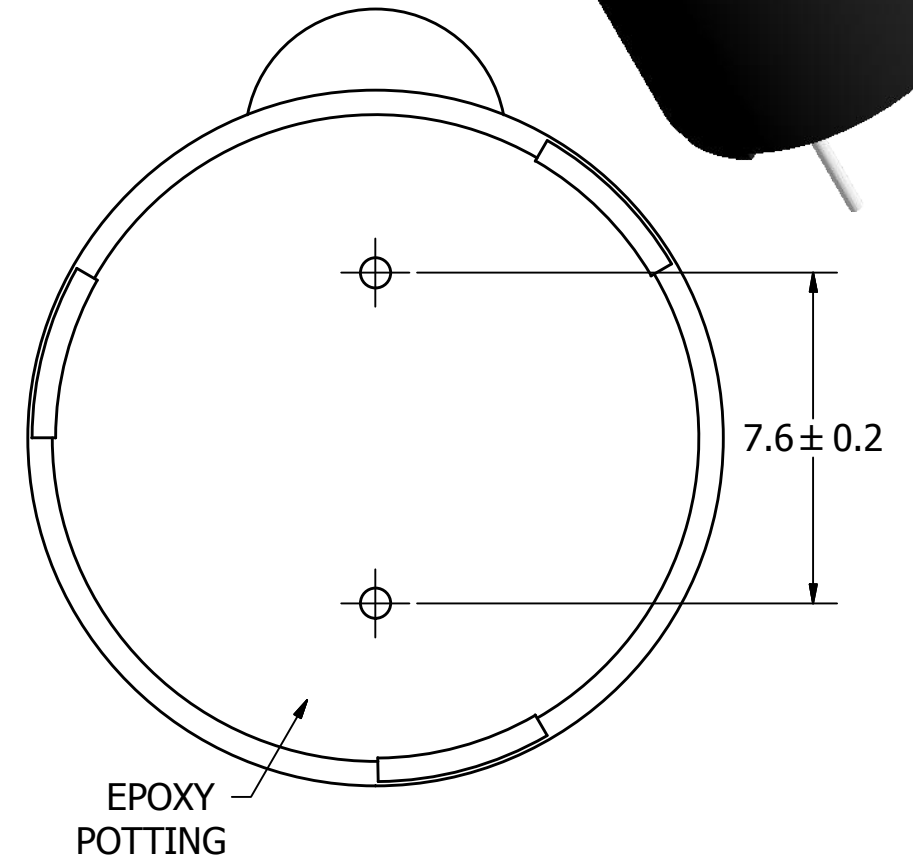
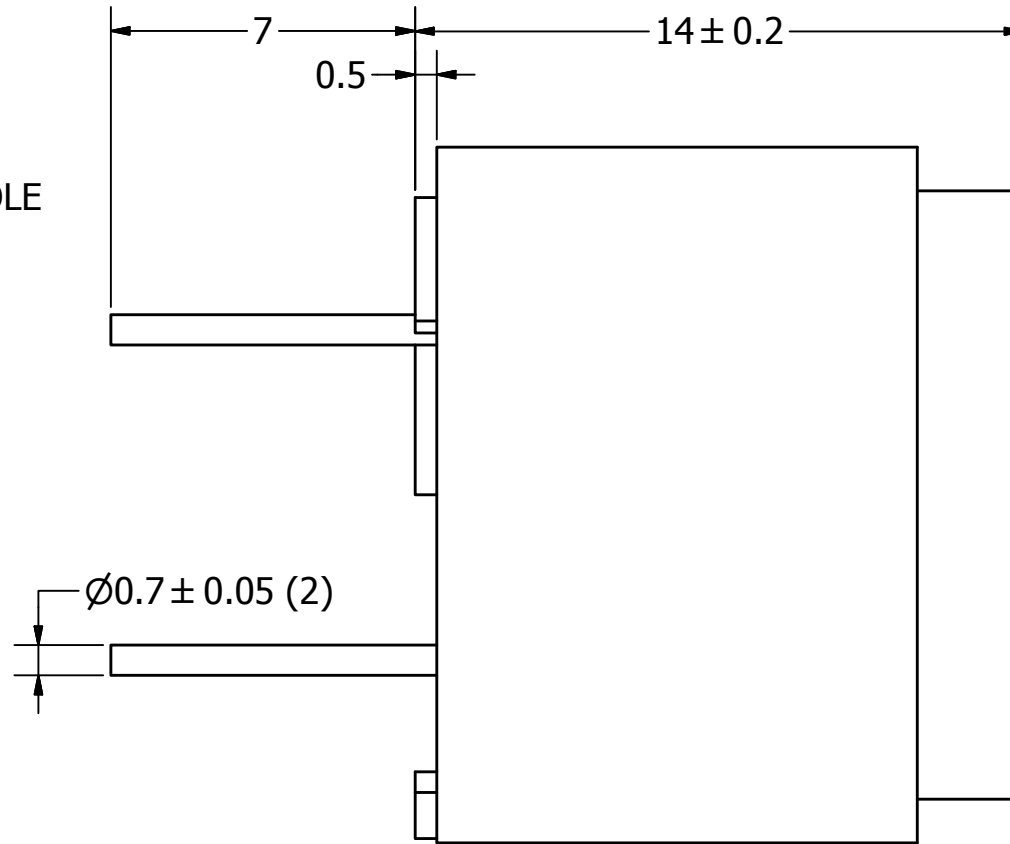
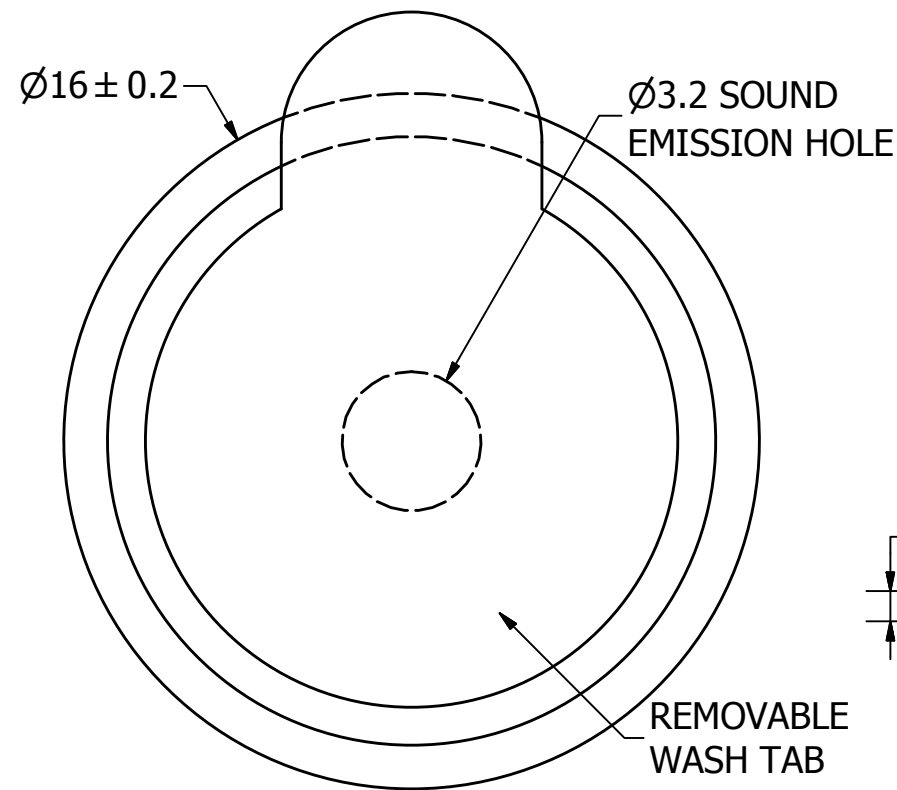
THIS DOCUMENT CONTAINS DATA PROPRIETARY TO PROJECTS UNLIMITED, INC. ANY USE OR REPRODUCTION, IN ANY FORM, WITHOUT PRIOR WRITTEN PERMISSION OF PROJECTS UNLIMITED, INC. IS PROHIBITED.

ALL PURCHASES ARE SUBJECT TO THE PUI AUDIO TERMS AND CONDITIONS SALE FOUND AT http://www.puiaudio.com/pdf/terms_conditions.pdf (paper copy available upon request).

©2003, Projects Unlimited Inc.

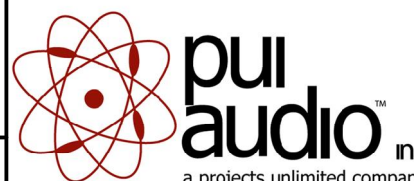
REVISION HISTORY

| LTR | DESCRIPTION | DATE | APPROVED |
|-----|--|------------|----------|
| - | RELEASED FROM ENGINEERING | 12/31/2003 | |
| A | ADDED DIMENSIONS | 8/27/2004 | R.W. |
| B | REMOVED LEAD FREE ADDED RoHS NOTE | 8/10/2005 | |
| C | REVISED TERMINAL MATERIAL | 3/21/2006 | |
| D | REVISED TERMINAL LENGTH | 4/17/2008 | B.R. |
| E | REVISED TO INVENTOR 3-D DRAWING TEMPLATE | 4/17/2008 | B.R. |
| F | REVISED OPERATING TEMPERATURE | 7/23/2015 | M.L. |



NOTES:

1. ALL DIMENSIONS ARE IN MILLIMETERS.
2. SPECIFICATIONS SUBJECT TO CHANGE OR WITHDRAWL WITHOUT NOTICE.
3. THIS PART IS RoHS 2011/65/EU COMPLIANT.

| | | | | | | | | |
|--|-------------------|---|-----------|---|------|-------------|-----------|------------|
| UNLESS OTHERWISE SPECIFIED: DIMENSIONS ARE IN MILLIMETERS, TOLERANCES ARE ± 0.5 AND ANGLES ARE $\pm 3^\circ$. | SIZE A3 | Designed by | Date | Checked by | Date | Approved by | Date | Drawn Date |
| | | R.A.C. | 8/13/2004 | | | R.W. | 8/13/2004 | 4/17/2008 |
| AT-1620-TWT-12V-R.idw | |  | | AT-1620-TWT-12V-R Transducer (Electro-Mech) | | | | |
| | | | | Edition | | Sheet | | |
| | | | | - | | 1 / 1 | | |

X-ON Electronics

Largest Supplier of Electrical and Electronic Components

Click to view similar products for [Speakers & Transducers](#) category:

Click to view products by [PUI Audio](#) manufacturer:

Other Similar products are found below :

[FC-30814-P127](#) [AS02832MR-2-R](#) [PB-1220PE](#) [PB-2015PQ](#) [900-00001](#) [AB2025B-LW50-R](#) [SWFK-31736-000](#) [PT-2065FW](#) [PT-4175W](#) [AT-2830-TW-LW35-R](#) [ED-30761-000](#) [CI-30120-A42](#) [SMT-0440-T-2-R](#) [PB-0927PQ](#) [BF-7083-000](#) [BF-9778-000](#) [SMS2020-08H4.5 LF](#) [BDT1717-08H6.5W56MLF](#) [02094](#) [02097](#) [GSPK1003PN-8R0.2W-L100](#) [GSPK151103TN-8R0.2W](#) [GSPK2014035PN-8R0.5W-L100](#) [FS5353DS0830-H19.3](#) [TE082703-8](#) [XMLP040BD21F](#) [AS03608MR-LW100-R](#) [24520](#) [SMT-0540-S-2-R](#) [1450069](#) [9091653](#) [9091661](#) [IPS-G6000-5](#) [9090231](#) [FS50MS0820-H9.7](#) [FS4014-4-2W](#) [PBM4-13.B31R.A115.0663](#) [PBM4-13.B33R.A115.0663](#) [PBM4-13.B35R.A115.0663](#) [A-10-6-BG360-HD1Z-GA-M4Z-ZW](#) [A-10-6-BG410-HD1Z-AA-AGZ-ZW](#) [A-10-6-BG410-HD1Z-AA-M4Z-ZW](#) [A-10-6-BG410-HD1Z-FC-AGZ-ZW](#) [A-10-6-BG410-HD1Z-GA-M4Z-ZW](#) [A-10-6-BG310-HD1Z-AA-AGZ-ZW](#) [A-10-6-BG310-HD1Z-AA-M4Z-ZW](#) [A-10-6-BG310-HD1Z-GA-M4Z-ZW](#) [A-10-6-BG316-HD1Z-AA-AGZ-ZW](#) [A-10-6-BG316-HD1Z-AA-M4Z-ZW](#) [A-10-6-BG325-HD1Z-AA-AGZ-ZW](#)