

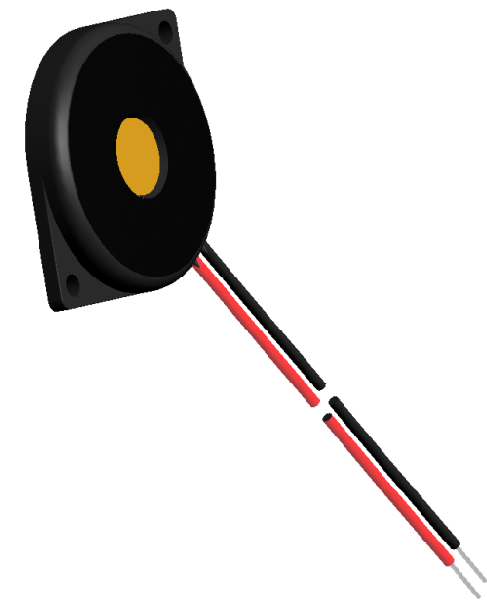
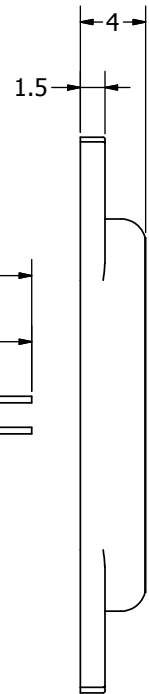
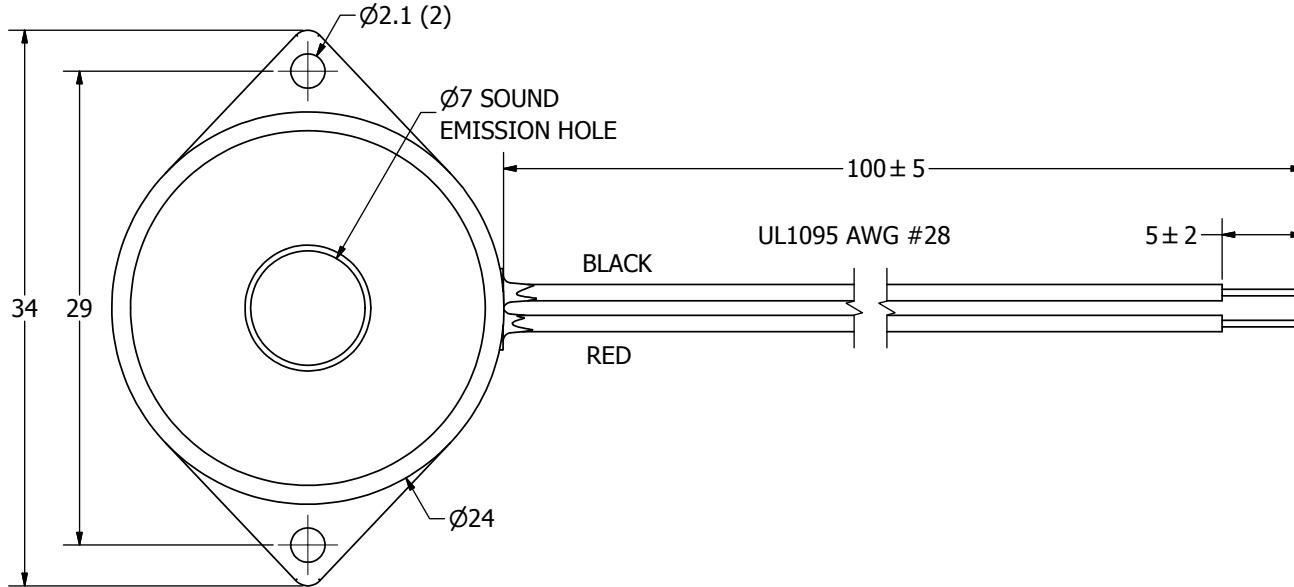
# SPECIFICATIONS

| PARAMETERS              | VALUES       | UNITS |
|-------------------------|--------------|-------|
| RATED VOLTAGE           | 10           | Vp-p  |
| OPERATING VOLTAGE RANGE | 1 ~ 30       | Vp-p  |
| RATED CURRENT (MAX)     | 8            | mA    |
| CAPACITANCE             | 12,000 ± 30% | pF    |
| MINIMUM SPL @ 10 CM     | 88           | dBA   |
| RESONANT FREQUENCY      | 6,000 ± 500  | Hz    |
| OPERATING TEMPERATURE   | -30 ~ +85    | °C    |
| STORAGE TEMPERATURE     | -40 ~ +95    | °C    |
| HOUSING MATERIAL        | ABS          | -     |
| TERMINAL MATERIAL       | LEAD WIRE    | -     |
| WEIGHT                  | 2.4          | grams |

THIS DOCUMENT CONTAINS DATA PROPRIETARY TO PROJECTS UNLIMITED, INC. ANY USE OR REPRODUCTION, IN ANY FORM, WITHOUT PRIOR WRITTEN PERMISSION OF PROJECTS UNLIMITED, INC. IS PROHIBITED.  
©2003, Projects Unlimited Inc.


# REVISION HISTORY

| LTR | DESCRIPTION                              | DATE      | APPROVED |
|-----|--|-----------|----------|
| -   | RELEASED FROM ENGINEERING                | 1/9/2006  |          |
| A   | REVISED TO INVENTOR 3-D DRAWING TEMPLATE | 8/11/2008 | B.R.     |



### NOTES:

1. ALL DIMENSIONS ARE IN MILLIMETERS.
2. SPECIFICATIONS SUBJECT TO CHANGE OR WITHDRAWL WITHOUT NOTICE.
3. THIS PART IS RoHS 2002/95/EC COMPLIANT.

|  |                   |   |           |            |           |             |           |            |
|--|-------------------|---|-----------|------------|-----------|-------------|-----------|------------|
| UNLESS OTHERWISE SPECIFIED:<br>DIMENSIONS ARE IN MILLIMETERS,<br>TOLERANCES ARE $\pm 0.5$ AND ANGLES ARE $\pm 3^\circ$ . | SIZE<br><b>A3</b> | Designed by   | Date      | Checked by | Date      | Approved by | Date      | Drawn Date |
|  |                   | J.A.F.  | 1/10/2006 | B.R.       | 1/10/2006 | E.P.        | 1/10/2006 | 8/11/2008  |
| AT-2460-TF-LW100-R.idw   |                   |  <b>AT-2460-TF-LW100-R</b><br>Transducer (Piezo) |           |            |           | Edition     | Sheet     |            |
|  |                   |   |           |            |           | -           | 1 / 1     |            |

## X-ON Electronics

Largest Supplier of Electrical and Electronic Components

*Click to view similar products for [Speakers & Transducers](#) category:*

*Click to view products by [PUI Audio](#) manufacturer:*

Other Similar products are found below :

[FC-30814-P127](#) [AS02832MR-2-R](#) [PB-1220PE](#) [PB-2015PQ](#) [900-00001](#) [AB2025B-LW50-R](#) [SWFK-31736-000](#) [PT-2065FW](#) [PT-4175W](#) [AT-2830-TW-LW35-R](#) [ED-30761-000](#) [CI-30120-A42](#) [SMT-0440-T-2-R](#) [PB-0927PQ](#) [BF-7083-000](#) [BF-9778-000](#) [SMS2020-08H4.5 LF](#) [BDT1717-08H6.5W56MLF](#) [02094](#) [02097](#) [GSPK1003PN-8R0.2W-L100](#) [GSPK151103TN-8R0.2W](#) [GSPK2014035PN-8R0.5W-L100](#) [FS5353DS0830-H19.3](#) [TE082703-8](#) [XMLP040BD21F](#) [AS03608MR-LW100-R](#) [24520](#) [SMT-0540-S-2-R](#) [1450069](#) [9091653](#) [9091661](#) [IPS-G6000-5](#) [9090231](#) [FS50MS0820-H9.7](#) [FS4014-4-2W](#) [PBM4-13.B31R.A115.0663](#) [PBM4-13.B33R.A115.0663](#) [PBM4-13.B35R.A115.0663](#) [A-10-6-BG360-HD1Z-GA-M4Z-ZW](#) [A-10-6-BG410-HD1Z-AA-AGZ-ZW](#) [A-10-6-BG410-HD1Z-AA-M4Z-ZW](#) [A-10-6-BG410-HD1Z-FC-AGZ-ZW](#) [A-10-6-BG410-HD1Z-GA-M4Z-ZW](#) [A-10-6-BG310-HD1Z-AA-AGZ-ZW](#) [A-10-6-BG310-HD1Z-AA-M4Z-ZW](#) [A-10-6-BG310-HD1Z-GA-M4Z-ZW](#) [A-10-6-BG316-HD1Z-AA-AGZ-ZW](#) [A-10-6-BG316-HD1Z-AA-M4Z-ZW](#) [A-10-6-BG325-HD1Z-AA-AGZ-ZW](#)