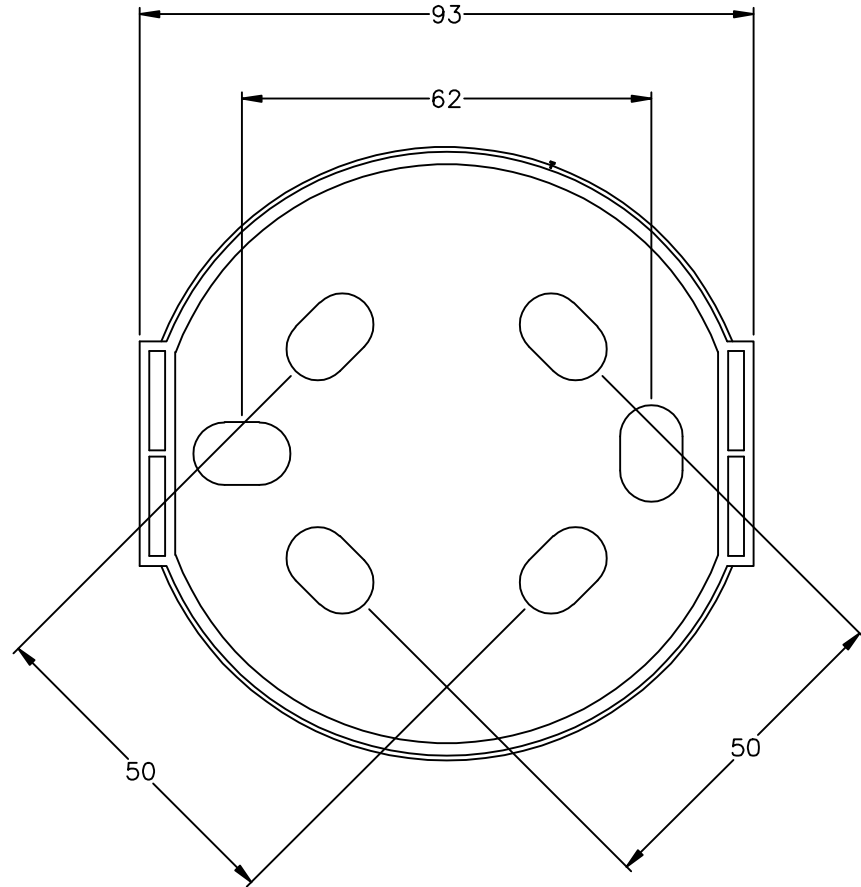
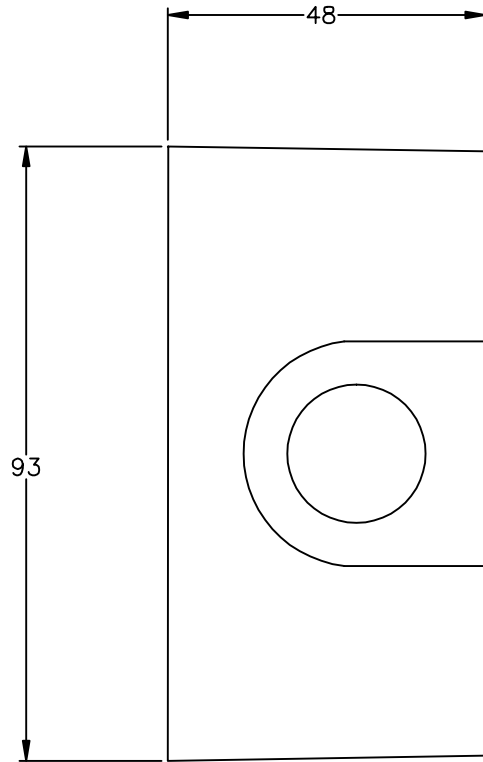



THIS DOCUMENT CONTAINS DATA PROPRIETARY TO PROJECTS UNLIMITED, INC. ANY USE OR REPRODUCTION, IN ANY FORM, WITHOUT PRIOR WRITTEN PERMISSION OF PROJECTS UNLIMITED, INC. IS PROHIBITED.
 ©2005, Projects Unlimited Inc.

REVISIONS			
LTR	DESCRIPTION	DATE	APPROVED
-	RELEASED FROM ENGINEERING	1/15/07	



NOTES:

1. ALL DIMENSIONS ARE IN MILLIMETERS.
2. SPECIFICATION SUBJECT TO CHANGE OR WITHDRAWAL WITHOUT NOTICE.

UNLESS OTHERWISE SPECIFIED: DIMENSIONS ARE IN MILLIMETERS, TOLERANCES ARE ± 0.5 AND ANGLES ARE $\pm 3^\circ$.		 projects® unlimited Dayton, Ohio									
<table border="1"> <thead> <tr> <th>APPROVALS</th> <th>DATE</th> </tr> </thead> <tbody> <tr> <td>DRAWN <i>J.D.</i></td> <td>1/07</td> </tr> <tr> <td>CHECKED <i>D.F.</i></td> <td>1/07</td> </tr> <tr> <td>APPROVED <i>B.R.</i></td> <td>1/07</td> </tr> </tbody> </table>		APPROVALS	DATE	DRAWN <i>J.D.</i>	1/07	CHECKED <i>D.F.</i>	1/07	APPROVED <i>B.R.</i>	1/07	<h1>DEEP BASE</h1>	
APPROVALS	DATE										
DRAWN <i>J.D.</i>	1/07										
CHECKED <i>D.F.</i>	1/07										
APPROVED <i>B.R.</i>	1/07										
<table border="1"> <tr> <td>FILE NAME</td> <td>AWA-DBW.dwg</td> </tr> </table>		FILE NAME	AWA-DBW.dwg	<table border="1"> <tr> <td>SIZE</td> <td>A</td> </tr> </table>	SIZE	A	<table border="1"> <tr> <td>DRAWING NO.</td> <td>AWA-DBW</td> </tr> </table>	DRAWING NO.	AWA-DBW		
FILE NAME	AWA-DBW.dwg										
SIZE	A										
DRAWING NO.	AWA-DBW										
DO NOT SCALE DRAWING		SCALE: N.T.S.	SHEET 1 OF 1								

X-ON Electronics

Largest Supplier of Electrical and Electronic Components

Click to view similar products for [Piezo Buzzers & Audio Indicators](#) category:

Click to view products by [PUI Audio](#) manufacturer:

Other Similar products are found below :

[6-4](#) [68S1240-PA](#) [MBA-624](#) [FDG06PSLLF](#) [FDG111PLF](#) [F/NRMB 24 BLACK LF](#) [PF-35N29WQ](#) [PFD-21A29W](#) [PFD-27A35PQ](#) [PL-21N30WQ](#) [PL-27A35PSQ](#) [PLD-21N30W](#) [PLD-21N30WQ](#) [PS-531Q](#) [PT-3534FP](#) [EBPT-401](#) [B822B](#) [PB-1220PEQ](#) [S6109](#) [SBM616PR](#) [SC110E](#) [SC2036ACP](#) [SC616N-2](#) [SC628FW](#) [SC628MPG](#) [SC648D](#) [SCS045MD9DT3S](#) [FCM12PLF](#) [F/EB20P-DR LF](#) [F/SMD03A LF](#) [FSMD8585JSLF](#) [F/SU 21-02 LF](#) [F/TCW 12 WITH LABEL LF](#) [F/UCW 06 WITH LABEL LF](#) [PFD-27N36W](#) [PKM22EPPH40S1-B0](#) [PKM35-4A0](#) [PL-35N29WQ](#) [PS-552Q](#) [CM-5](#) [REF-202](#) [B/SE 128 RED LF](#) [KBS-20DA-7AS](#) [KBS-27DA-5C-105](#) [LSC628ANR](#) [03-810.001](#) [RTO-1R07-001](#) [PL-21N31PQ](#) [B/CP 28B BLACK LF](#) [F/DGX 05P WITH LABEL LF](#)