

# SPECIFICATIONS

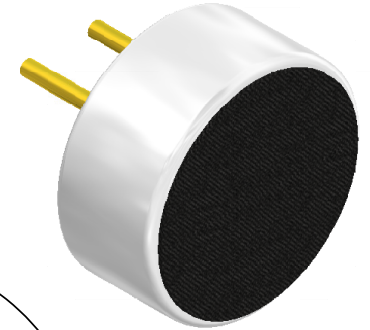
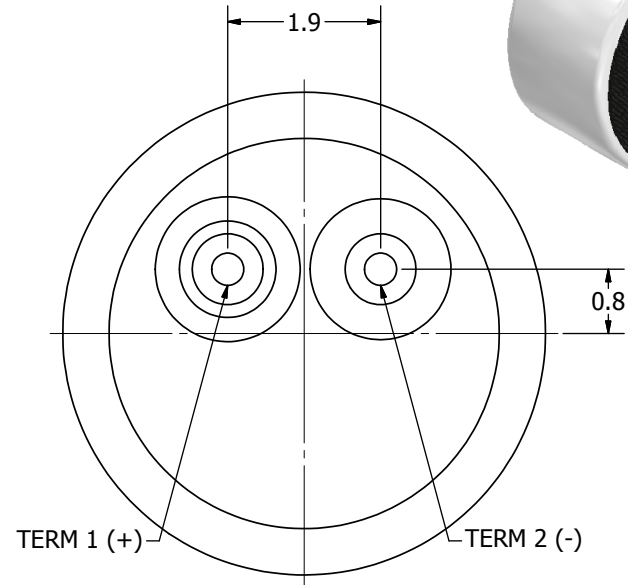
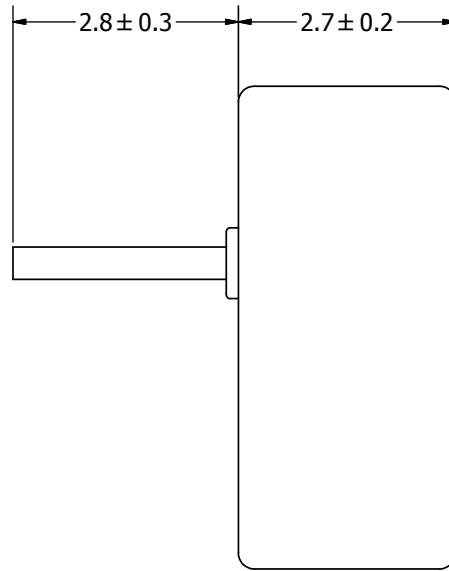
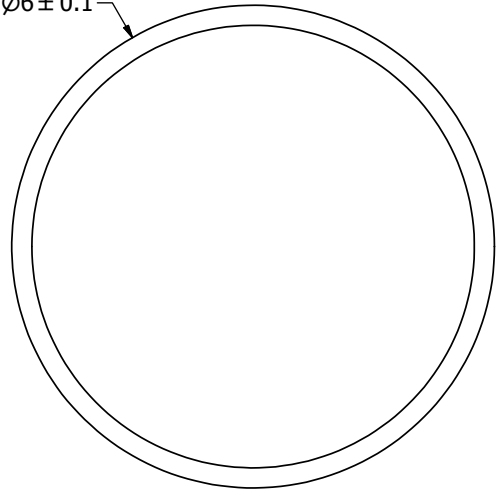
| PARAMETERS                   | VALUES  | UNIT |
|------------------------------|---------|------|
| DIRECTIVITY                  | OMINI   | -    |
| SENSITIVITY                  | -35 ± 2 | dB   |
| STANDARD OPERATING VOLTAGE   | 3       | Vdc  |
| MAX OPERATING VOLTAGE        | 10      | Vdc  |
| CURRENT CONSUMPTION (MAX)    | 0.5     | mA   |
| IMPEDANCE                    | 2.2     | KOhm |
| SIGNAL TO NOISE RATIO (MIN.) | 60      | dB   |
| TERMINAL                     | PIN     | -    |
| INTERNAL CAPACITOR           | N/A     | pF   |

THIS DOCUMENT CONTAINS DATA PROPRIETARY TO PROJECTS UNLIMITED, INC. ANY USE OR REPRODUCTION, IN ANY FORM, WITHOUT PRIOR WRITTEN PERMISSION OF PROJECTS UNLIMITED, INC. IS PROHIBITED.  
©2003, Projects Unlimited Inc.

# REVISION HISTORY

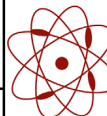
| LTR | DESCRIPTION                              | DATE      | APPROVED |
|-----|--|-----------|----------|
| -   | RELEASED FROM ENGINEERING                | 5/3/2006  |          |
| A   | ADDED TERMINAL POLARITY                  | 2/2/2007  | D.F.     |
| B   | REVISED TO INVENTOR 3-D DRAWING TEMPLATE | 10/4/2010 | B.R.     |

Ø6 ± 0.1



## NOTES:

1. ALL DIMENSIONS ARE IN MILLIMETERS.
2. SPECIFICATIONS SUBJECT TO CHANGE OR WITHDRAWAL WITHOUT NOTICE.
3. MICROPHONE CLOTH OVER FACE IS IP51 RATED.
4. THIS PART IS RoHS 2002/95/EC COMPLIANT.

| UNLESS OTHERWISE SPECIFIED:<br>DIMENSIONS ARE IN MILLIMETERS,<br>TOLERANCES ARE ±0.5 AND ANGLES ARE ±3°. | SIZE<br><b>A3</b> | Designed by  | Date     | Checked by | Date                             | Approved by | Date     | Drawn Date |
|--|-------------------|--|----------|------------|----------------------------------|-------------|----------|------------|
|  |                   | J.D.   | 5/3/2006 | E.P.       | 5/3/2006                         | B.R.        | 5/3/2006 | 10/4/2010  |
| POM-2735P-R.idw  |                   |  <b>pui audio</b><br>a projects unlimited company |          |            | <b>POM-2735P-R</b><br>Microphone |             | Edition  | Sheet      |
|  |                   |  |          |            |                                  |             | -        | 1 / 1      |

## X-ON Electronics

Largest Supplier of Electrical and Electronic Components

*Click to view similar products for [Microphones](#) category:*

*Click to view products by [PUI Audio](#) manufacturer:*

Other Similar products are found below :

[BCM4013OLFC-42-JST-ZHR-2](#) [TO38-30702-B20](#) [SPM04C-38/1186-T/R](#) [BCM4013OSBC-42 LF](#) [TOW-1242P-R](#) [BCM9745-44](#) [BCM9765](#)  
[BCM9767P](#) [LD-MC-0905P](#) [LD-MC-6035](#) [PMOF-9745S-42UQ](#) [ROM-2235L-HD-R](#) [CMC-4015-130T](#) [CMC-6050-40T](#) [CMC-6035-130T](#)  
[CMC-6015-47P](#) [BCM9745P-44](#) [BCM9767-42](#) [254-ECM644-RO](#) [LD-MC-4011](#) [LD-MC-6027](#) [LD-MC-6035W](#) [LD-MC-9765P](#) [LD-MC-](#)  
[9765W](#) [FG-23629-D65](#) [PNR-23539-000](#) [254-FP270-RO](#) [BCM9765P-44](#) [CMC-5042PF-AC](#) [CMC-6010-42L100](#) [CMC-9745-L100](#) [CMC-](#)  
[3015-44T](#) [CMC-4015-25T](#) [CMC-6013-38T](#) [CMC-6022-37L100](#) [CMC-6027-24T](#) [CMC-6027-32T](#) [CMC-6027-42T](#) [GMI4522P-2C-30db](#)  
[GMI4522P-2C-50db](#) [GMI4522P-2C-52db](#) [GMI6027P-2C66DB](#) [GMA3526H10-B26](#) [GMA4030H11-F26](#) [GMI4015-32DB](#) [GMI4015-40DB](#)  
[GMI4015P-36DB](#) [GMI4015P-46DB](#) [GMI4015P-54DB](#) [GMI4015P-58DB](#)