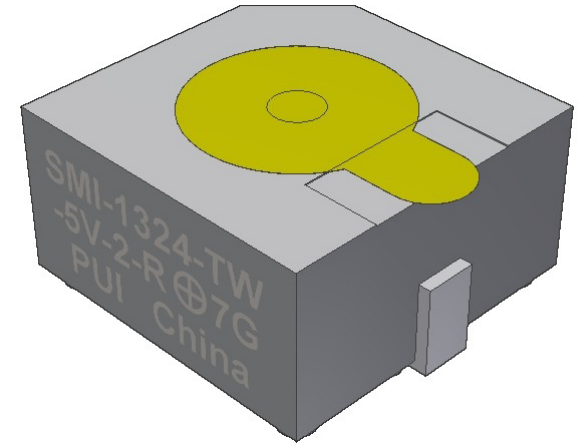




pui
audio™ inc
a projects unlimited company

SMI-1324-TW-5V-2-R 13mm Indicator

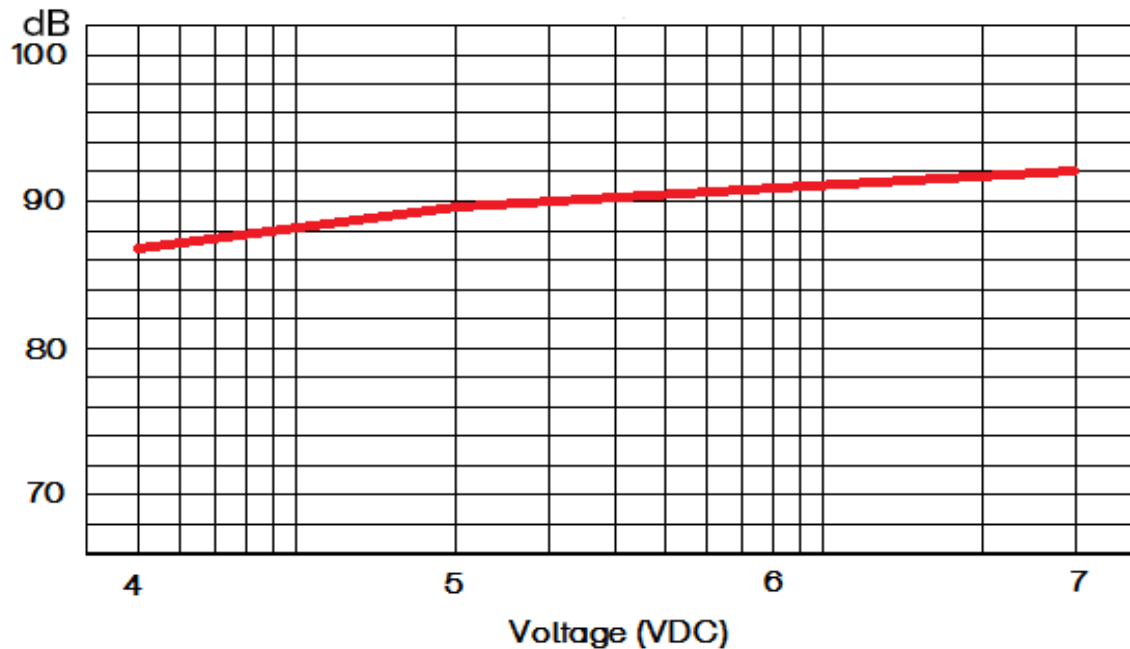


3541 Stop Eight Road • Dayton, Ohio 45414

Product Overview

- 13mm, 4-7 VDC self-drive, surface mount indicator
- 88 dBA minimum output (5 VDC @ 10 cm) and 2,340 Hz continuous tone
- PPT housing withstands lead-free reflow soldering temperatures
- Removable wash tag preserves performance

SPL vs Voltage (measured @10 cm)



RoHS Compliant



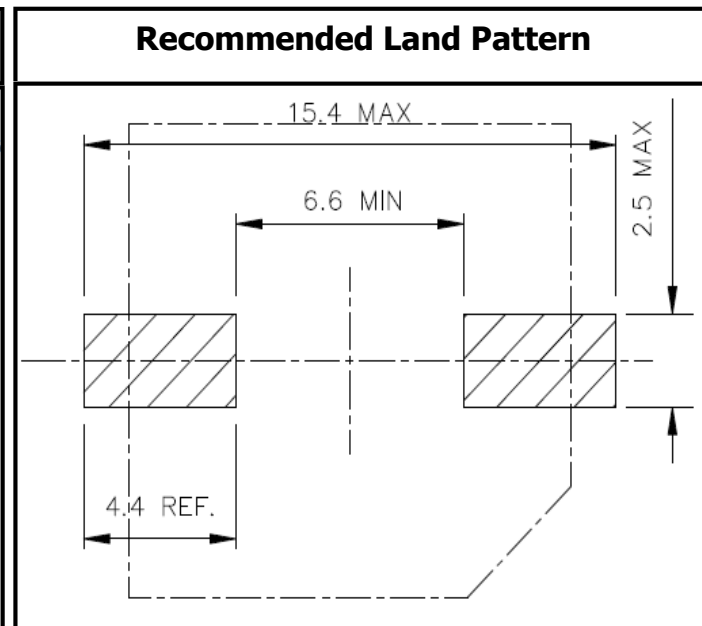
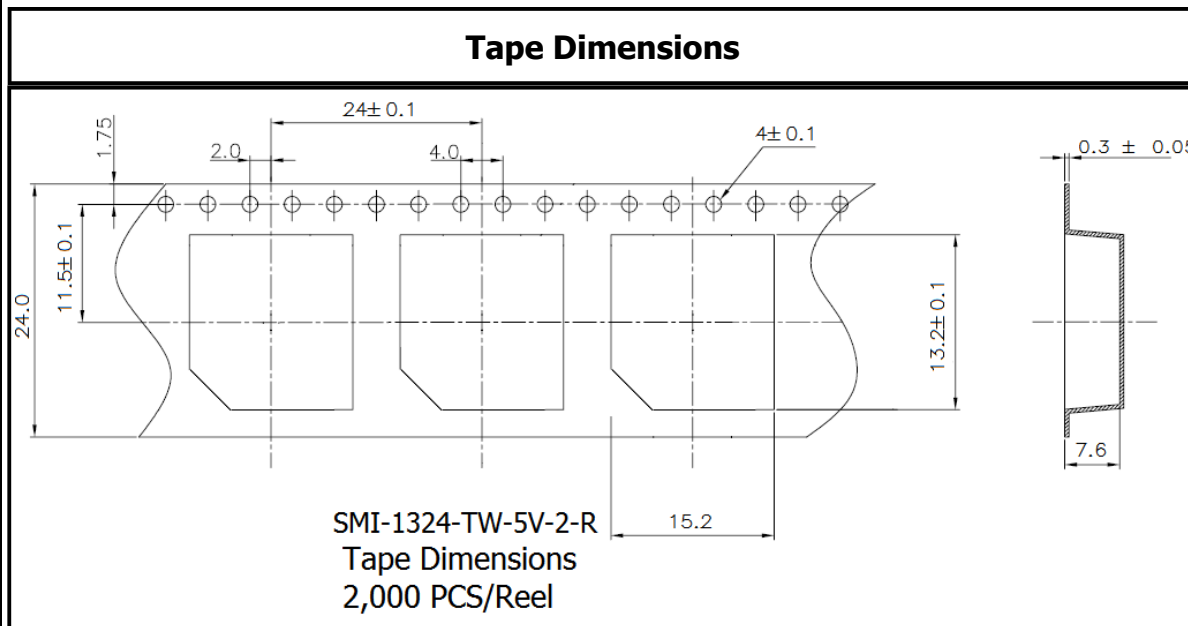
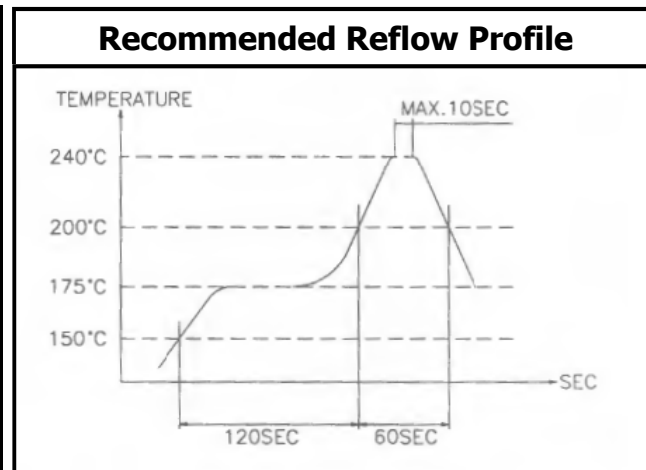


SMI-1324-TW-5V-2-R

13mm Indicator

| Mechanical and Environment Testing | |
|------------------------------------|--|
| Test Description | Test Condition |
| High Temperature | 85°C (±2°C) with random humidity for 96 hours |
| Low Temperature | -25°C (±2°C) with random humidity for 96 hours |
| Humidity | 40°C (±2°C) with 90% to 95% relative humidity for 96 hours |
| Vibration | 0.75 mm movement modulated at 10-55 Hz for 3 hours |
| Drop Test | 100 cm free fall onto wood board, 10 cycles |
| Temperature Cycle Test | -30°C to 85°C, 100 cycles |

After tests, part shall rest for 2 hours. Parts are then tested for clean, pure tones.



SPECIFICATIONS

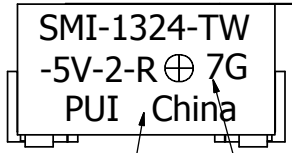
| PARAMETERS | VALUES | UNITS |
|-------------------------|-----------------|-------------|
| RATED VOLTAGE | 5 | Vdc |
| OPERATING VOLTAGE RANGE | 4 ~ 7 | Vdc |
| RATED CURRENT (MAX) | 30 | mA |
| MINIMUM SPL @ 10 CM | 88 | dBa |
| RESONANT FREQUENCY | 2,400 ± 400 | Hz |
| TONE OR PULSE RATE | CONTINUOUS | 0 pulse/sec |
| OPERATING TEMPERATURE | -40 ~ +85 | °C |
| STORAGE TEMPERATURE | -40 ~ +85 | °C |
| HOUSING MATERIAL | PPS | - |
| TERMINAL MATERIAL | Sn PLATED BRASS | - |
| WEIGHT | 2 | grams |

THIS DOCUMENT CONTAINS DATA PROPRIETARY TO PROJECTS UNLIMITED, INC. ANY USE OR REPRODUCTION, IN ANY FORM, WITHOUT PRIOR WRITTEN PERMISSION OF PROJECTS UNLIMITED, INC. IS PROHIBITED.
©2003, Projects Unlimited Inc.

REVISION HISTORY

| LTR | DESCRIPTION | DATE | APPROVED |
|-----|--|------------|----------|
| - | RELEASED FROM ENGINEERING | 8/2/2004 | |
| A | REVISED TERMINAL MATERIAL | 12/13/2004 | R.W. |
| B | REMOVED LEAD FREE ADDED RoHS NOTE | 8/10/2005 | |
| C | ADDED NOTE 4 | 11/2/2005 | B.R. |
| D | REVISED TERMINAL MATERIAL | 3/20/2006 | B.R. |
| E | REVISED TEMPERATURES ADD DATE CODE | 6/14/2006 | R.W. |
| F | REVISED LAYOUT ADDED SIDE DIMENSION | 8/16/2006 | B.R. |
| G | REVISED TO INVENTOR 3-D DRAWING TEMPLATE | 11/9/2007 | B.R. |

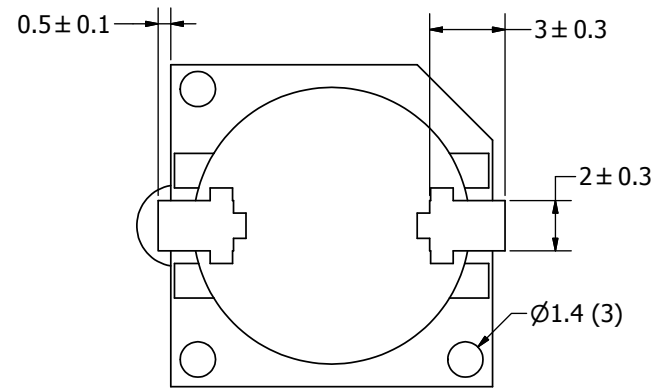
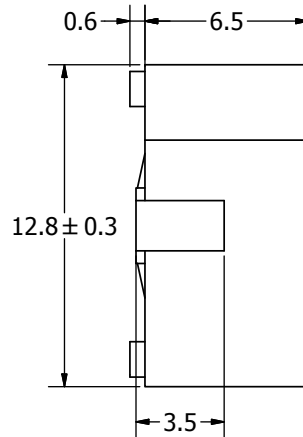
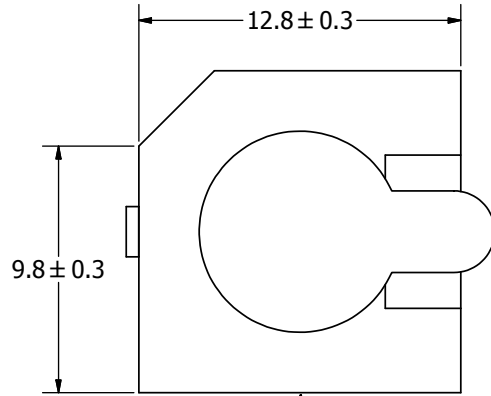
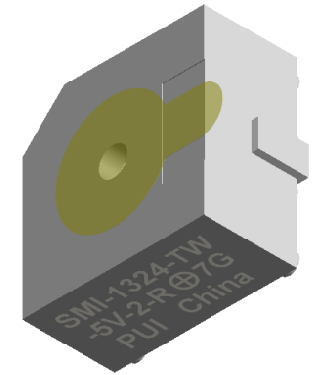
A (4 : 1)



SILK SCREEN MARKING
COLOR: SILVER

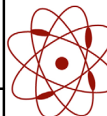
DATE CODE MARKING

"7 G"
YEAR: 7=2007 MONTH: G=JULY



NOTES:

1. ALL DIMENSIONS ARE IN MILLIMETERS.
2. SPECIFICATIONS SUBJECT TO CHANGE OR WITHDRAWAL WITHOUT NOTICE.
3. THIS PART IS RoHS 2002/95/EC COMPLIANT.
4. MAXIMUM REFOLW TEMPERATURE IS 260°C.

| | | | | | | | | | |
|--|------|--|----------|---------------------------|------|-------------|-----------|--------------|----------------|
| UNLESS OTHERWISE SPECIFIED: DIMENSIONS ARE IN MILLIMETERS, TOLERANCES ARE ±0.5 AND ANGLES ARE ±3°. | SIZE | Designed by | Date | Checked by | Date | Approved by | Date | Drawn Date | |
| | A3 | R.A.C. | 8/2/2004 | | | R.W. | 8/2/2004 | 11/9/2007 | |
| SMI-1324-TW-5V-2-R.idw | |  pui audio a projects unlimited company | | SMI-1324-TW-5V-2-R | | | Indicator | Edition - | Sheet 1 / 1 |

X-ON Electronics

Largest Supplier of Electrical and Electronic Components

Click to view similar products for [Audio Indicators & Alerts](#) category:

Click to view products by [PUI Audio](#) manufacturer:

Other Similar products are found below :

[M2BJ-BH24E](#) [6-4](#) [68S1240-PA](#) [MBA-624](#) [FDG111PLF](#) [F/EM12PLF](#) [F/NRMB 24 BLACK LF](#) [PF-35N29WQ](#) [PFD-27A35PQ](#) [PL-21N30WQ](#) [PL-27A35PSQ](#) [PS-531Q](#) [AB2020B-2-LW1](#) [EBPT-401](#) [PB-1220PEQ](#) [S6109](#) [SC2036ACP](#) [SC616N-2](#) [SC628FW](#) [SC628MPG](#) [SC648D](#) [SCS045MD9DT3S](#) [AB2025B-LW50-R](#) [ESZ-25B-5-250B](#) [ESZ-25S](#) [AI-2835-TF-LW150-2-R](#) [AI-4228-TF-LW305-R](#) [FSMD8585JSLF](#) [FSS-26T](#) [F/TCW 05 WITH LABEL LF](#) [F/UCW 03 WITH LABEL LF](#) [PKM22EPPH40S1-B0](#) [PKM35-4A0](#) [PL-35N29WQ](#) [PLD-27A35PQ](#) [PS-552Q](#) [CM-5](#) [M2BJ-BH24E-D](#) [REF-202](#) [LSC628ANR](#) [03-810.001](#) [PL-21N31PQ](#) [B/CP 28B BLACK LF](#) [F/DGX 05P](#) [WITH LABEL LF](#) [F/HCW 06 WITH LABEL LF](#) [B/CP 50 GREY LF](#) [F/SU 27-03 LF](#) [OMT222L](#) [PB-1220PE-05Q](#) [SMI-1324-TW-5V-2-R-TR](#)