

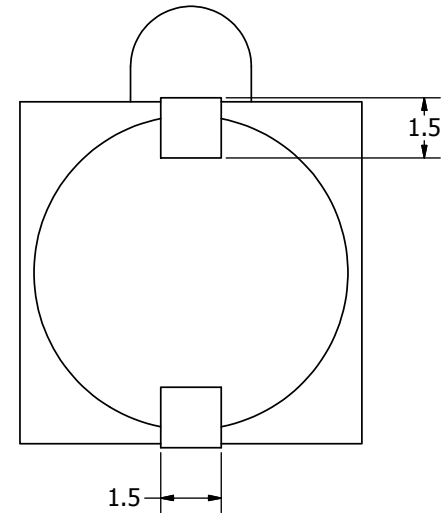
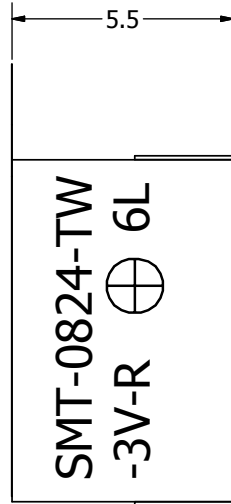
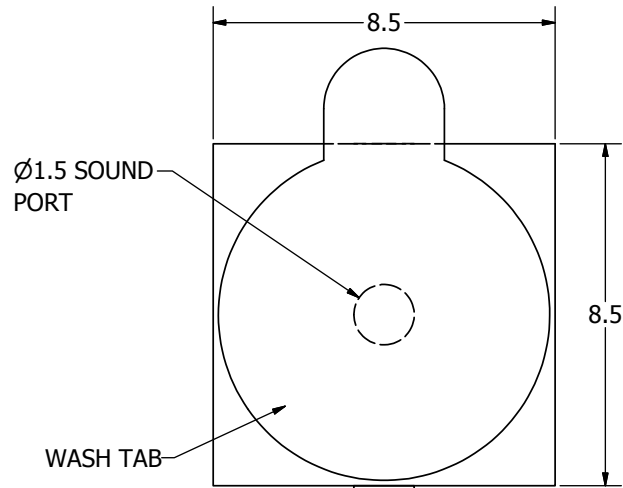
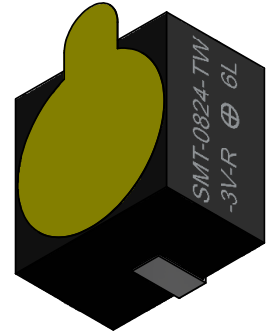
SPECIFICATIONS

| PARAMETERS | VALUES | UNITS |
|-----------------------------|-----------------|-------|
| RATED VOLTAGE (SQUARE WAVE) | 3.6 | Vp-p |
| OPERATING VOLTAGE RANGE | 2 ~ 5 | Vp-p |
| RATED CURRENT (MAX) | 70 | mA |
| COIL RESISTANCE | 15 ± 3 | OHM |
| MINIMUM SPL @ 10 CM | 80 | dBA |
| RESONANT FREQUENCY | 2,400 ± 200 | Hz |
| OPERATING TEMPERATURE | -40 ~ +85 | °C |
| STORAGE TEMPERATURE | -50 ~ +95 | °C |
| HOUSING MATERIAL | LCP | - |
| TERMINAL MATERIAL | Sn PLATED BRASS | - |
| WEIGHT | 0.6 | grams |

THIS DOCUMENT CONTAINS DATA PROPRIETARY TO PROJECTS UNLIMITED, INC. ANY USE OR REPRODUCTION, IN ANY FORM, WITHOUT PRIOR WRITTEN PERMISSION OF PROJECTS UNLIMITED, INC. IS PROHIBITED.
©2003, Projects Unlimited Inc.

REVISION HISTORY

| LTR | DESCRIPTION | DATE | APPROVED |
|-----|--|-----------|----------|
| - | RELEASED FROM ENGINEERING | 3/29/2007 | |
| A | REVISED MINIMUM SPL @ 10cm | 5/16/2007 | R.W. |
| B | REVISED TO INVENTOR 3-D DRAWING TEMPLATE | 11/5/2007 | B.R. |



NOTES:

1. ALL DIMENSIONS ARE IN MILLIMETERS.
2. SPECIFICATIONS SUBJECT TO CHANGE OR WITHDRAWAL WITHOUT NOTICE.
3. THIS PART IS RoHS 2002/95/EC COMPLIANT.

| | | | | | | | | |
|--|-------------------|-------------|-----------|------------|----------|-------------------------|----------|------------|
| UNLESS OTHERWISE SPECIFIED: DIMENSIONS ARE IN MILLIMETERS, TOLERANCES ARE ±0.5 AND ANGLES ARE ±3°. | SIZE A3 | Designed by | Date | Checked by | Date | Approved by | Date | Drawn Date |
| | | J.D. | 3/29/2007 | D.F. | 4/2/2007 | R.W. | 4/2/2007 | 11/5/2007 |
| SMT-0824-TW-3V-R.idw | | | | | | SMT-0824-TW-3V-R | | |
| Transducer (Electro-Mech) | | | | | | Edition | Sheet | |
| | | | | | | - | 1 / 1 | |

X-ON Electronics

Largest Supplier of Electrical and Electronic Components

Click to view similar products for [Speakers & Transducers](#) category:

Click to view products by [PUI Audio](#) manufacturer:

Other Similar products are found below :

[FC-30814-P127](#) [AS02832MR-2-R](#) [PB-1220PE](#) [PB-2015PQ](#) [900-00001](#) [AB2025B-LW50-R](#) [SWFK-31736-000](#) [PT-2065FW](#) [PT-4175W](#) [AT-2830-TW-LW35-R](#) [ED-30761-000](#) [CI-30120-A42](#) [SMT-0440-T-2-R](#) [PB-0927PQ](#) [BF-7083-000](#) [BF-9778-000](#) [SMS2020-08H4.5 LF](#) [BDT1717-08H6.5W56MLF](#) [02094](#) [02097](#) [GSPK1003PN-8R0.2W-L100](#) [GSPK151103TN-8R0.2W](#) [GSPK2014035PN-8R0.5W-L100](#) [FS5353DS0830-H19.3](#) [TE082703-8](#) [XMLP040BD21F](#) [AS03608MR-LW100-R](#) [24520](#) [SMT-0540-S-2-R](#) [1450069](#) [9091653](#) [9091661](#) [IPS-G6000-5](#) [9090231](#) [FS50MS0820-H9.7](#) [FS4014-4-2W](#) [PBM4-13.B31R.A115.0663](#) [PBM4-13.B33R.A115.0663](#) [PBM4-13.B35R.A115.0663](#) [A-10-6-BG360-HD1Z-GA-M4Z-ZW](#) [A-10-6-BG410-HD1Z-AA-AGZ-ZW](#) [A-10-6-BG410-HD1Z-AA-M4Z-ZW](#) [A-10-6-BG410-HD1Z-FC-AGZ-ZW](#) [A-10-6-BG410-HD1Z-GA-M4Z-ZW](#) [A-10-6-BG310-HD1Z-AA-AGZ-ZW](#) [A-10-6-BG310-HD1Z-AA-M4Z-ZW](#) [A-10-6-BG310-HD1Z-GA-M4Z-ZW](#) [A-10-6-BG316-HD1Z-AA-AGZ-ZW](#) [A-10-6-BG316-HD1Z-AA-M4Z-ZW](#) [A-10-6-BG325-HD1Z-AA-AGZ-ZW](#)