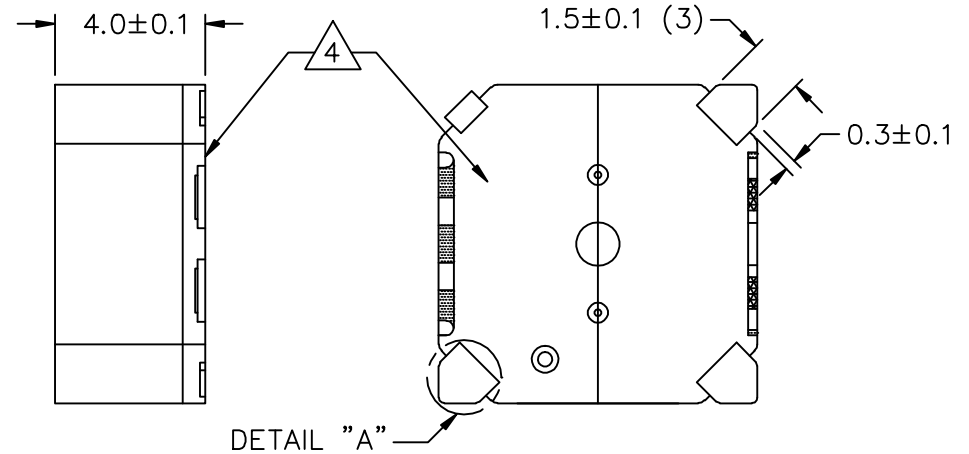
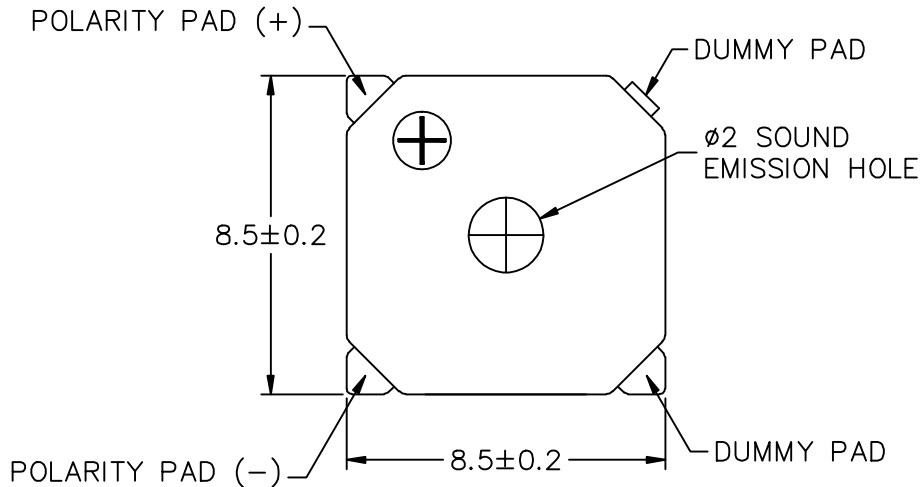
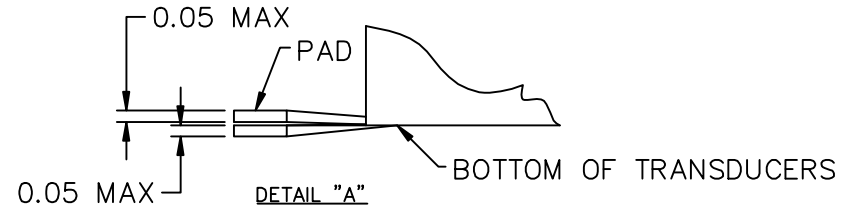


THIS DOCUMENT CONTAINS DATA PROPRIETARY TO PROJECTS UNLIMITED, INC. ANY USE OR REPRODUCTION, IN ANY FORM, WITHOUT PRIOR WRITTEN PERMISSION OF PROJECTS UNLIMITED, INC. IS PROHIBITED.
 ©2005, Projects Unlimited Inc.

SPECIFICATIONS

| PARAMETERS | VALUES | UNITS |
|-----------------------------|-----------------------------|------------------|
| RATED VOLTAGE (SQUARE WAVE) | 3.6 | V _{p-p} |
| OPERATING VOLTAGE RANGE | 2.5 ~ 4.5 | V _{p-p} |
| RATED CURRENT (MAX) | 90 | mA |
| COIL RESISTANCE | 16±2.4 | OHM |
| MINIMUM SPL @ 10 CM | 94 | dBA |
| RESONANT FREQUENCY | 3,000±500 | Hz |
| OPERATING TEMPERATURE | -30 ~ +80 | °C |
| STORAGE TEMPERATURE | -40 ~ +85 | °C |
| HOUSING MATERIAL | LCP | - |
| TERMINAL MATERIAL | Sn PLATED PHOSPHORUS BRONZE | - |
| WEIGHT | .44 | grams |

| REVISIONS | | | |
|-----------|-------------------------------------|---------|----------|
| LTR | DESCRIPTION | DATE | APPROVED |
| - | RELEASED FROM ENGINEERING | 6/17/08 | |
| A | REVISED INTERNAL SOLDER CONNECTIONS | 9/2/08 | B.R. |
| B | ADDED NOTE #4 | 9/17/08 | B.R. |




NOTES:

1. ALL DIMENSIONS ARE IN MILLIMETERS.
2. SPECIFICATION SUBJECT TO CHANGE OR WITHDRAWAL WITHOUT NOTICE.
3. THIS PART IS RoHS 2002/95/EC COMPLIANT.

⚠️ SEALED LOWER HOUSING.

FILE NAME
SMT-0830-T-R.DWG

| | | | | | |
|---|--|---|--|---|--|
| UNLESS OTHERWISE SPECIFIED: DIMENSIONS ARE IN MILLIMETERS, TOLERANCES ARE ±0.5 AND ANGLES ARE ±3°. | |  A Division of Projects Unlimited | | 6300 Sand Lake Road Dayton, Ohio 45414 | |
| APPROVALS | | DATE | | TRANSDUCER (ELECTRO-MECH) DRAWING NO. SMT-0830-T-R | |
| DRAWN J.D. | | 6/08 | | | |
| CHECKED C.W. | | 6/08 | | | |
| APPROVED B.R. | | 6/08 | | | |
| SIZE A | | SCALE: N.T.S. | | SHEET 1 OF 1 | |

X-ON Electronics

Largest Supplier of Electrical and Electronic Components

Click to view similar products for [Speakers & Transducers](#) category:

Click to view products by [PUI Audio](#) manufacturer:

Other Similar products are found below :

[FC-30814-P127](#) [AS02832MR-2-R](#) [PB-1220PE](#) [PB-2015PQ](#) [900-00001](#) [AB2025B-LW50-R](#) [SWFK-31736-000](#) [PT-2065FW](#) [PT-4175W](#) [AT-2830-TW-LW35-R](#) [ED-30761-000](#) [CI-30120-A42](#) [SMT-0440-T-2-R](#) [PB-0927PQ](#) [BF-7083-000](#) [BF-9778-000](#) [SMS2020-08H4.5 LF](#) [BDT1717-08H6.5W56MLF](#) [02094](#) [02097](#) [GSPK1003PN-8R0.2W-L100](#) [GSPK151103TN-8R0.2W](#) [GSPK2014035PN-8R0.5W-L100](#) [FS5353DS0830-H19.3](#) [TE082703-8](#) [XMLP040BD21F](#) [AS03608MR-LW100-R](#) [24520](#) [SMT-0540-S-2-R](#) [1450069](#) [9091653](#) [9091661](#) [IPS-G6000-5](#) [9090231](#) [FS50MS0820-H9.7](#) [FS4014-4-2W](#) [PBM4-13.B31R.A115.0663](#) [PBM4-13.B33R.A115.0663](#) [PBM4-13.B35R.A115.0663](#) [A-10-6-BG360-HD1Z-GA-M4Z-ZW](#) [A-10-6-BG410-HD1Z-AA-AGZ-ZW](#) [A-10-6-BG410-HD1Z-AA-M4Z-ZW](#) [A-10-6-BG410-HD1Z-FC-AGZ-ZW](#) [A-10-6-BG410-HD1Z-GA-M4Z-ZW](#) [A-10-6-BG310-HD1Z-AA-AGZ-ZW](#) [A-10-6-BG310-HD1Z-AA-M4Z-ZW](#) [A-10-6-BG310-HD1Z-GA-M4Z-ZW](#) [A-10-6-BG316-HD1Z-AA-AGZ-ZW](#) [A-10-6-BG316-HD1Z-AA-M4Z-ZW](#) [A-10-6-BG325-HD1Z-AA-AGZ-ZW](#)