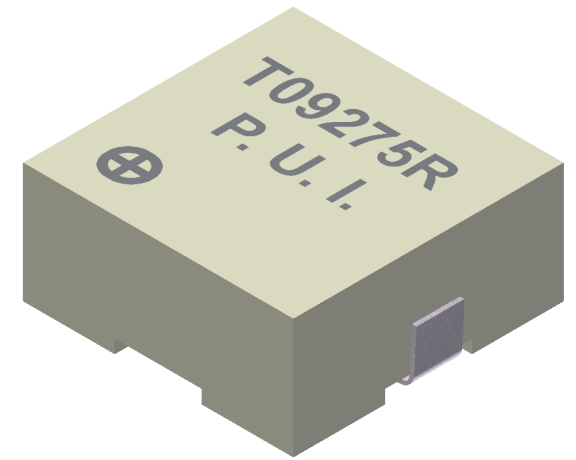




**pui
audio**™ inc
a projects unlimited company

SMT-0927-S-5-R 9 x 9mm Transducer

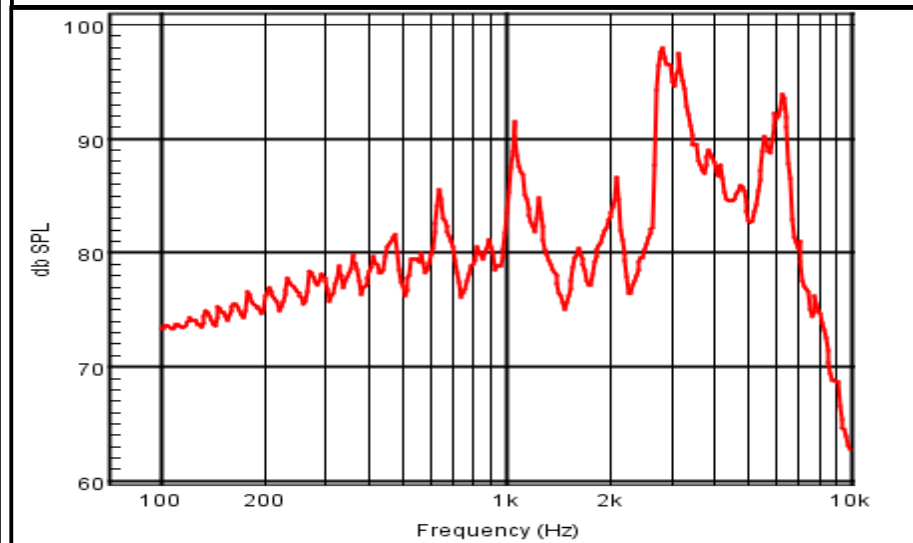


3541 Stop Eight Road • Dayton, Ohio 45414

Product Overview

- Side-firing electromechanical transducer designed for 3 to 7 V₀-p
- Small 9 x 9mm footprint and 4mm height for thin, modern devices
- 85 dBA minimum output (5V₀-p @ 10 cm) and 2,730 Hz resonant frequency
- Designed for reflow soldering using a lead-free profile

Frequency Response (5 V₀-p @ 0.1 meters)



RoHS Compliant





SMT-0927-S-5-R

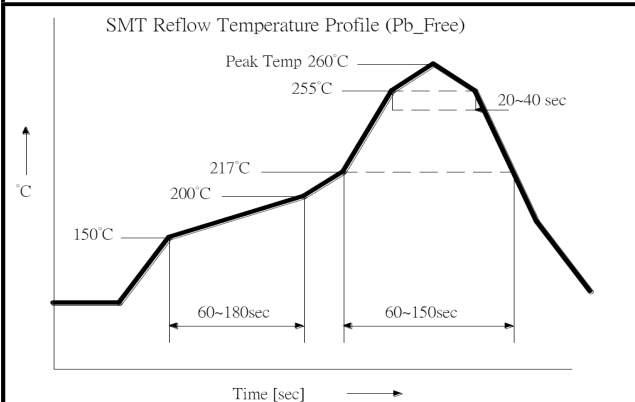
9 x 9mm Transducer

Mechanical and Environment Testing

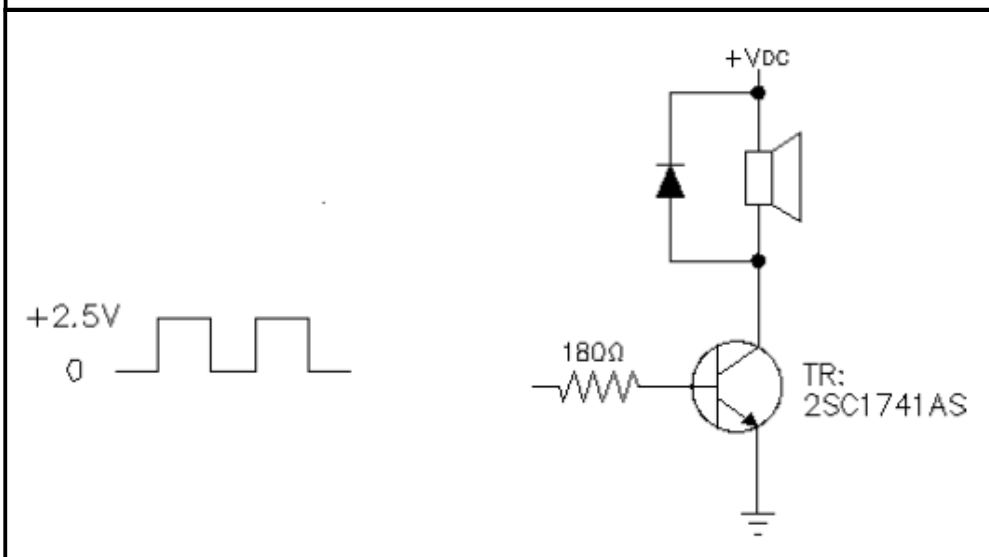
Test Description	Test Condition
High Temperature	80°C (±2°C) with random humidity for 96 hours
Low Temperature	-40°C (±2°C) with random humidity for 96 hours
Humidity	25°C to 85°C with 80% to 98% relative humidity for 12 hours, 10 cycles
Vibration	1.53 mm movement modulated at 10-55 Hz in 3 directions for 2 hours
Drop Test	75 cm free fall in three directions, 3 cycles each
Temperature Cycle Test	-40°C to 85°C, ten 60 minute cycles

After testing, part shall rest for two hours and then be tested for a clean, pure tone.

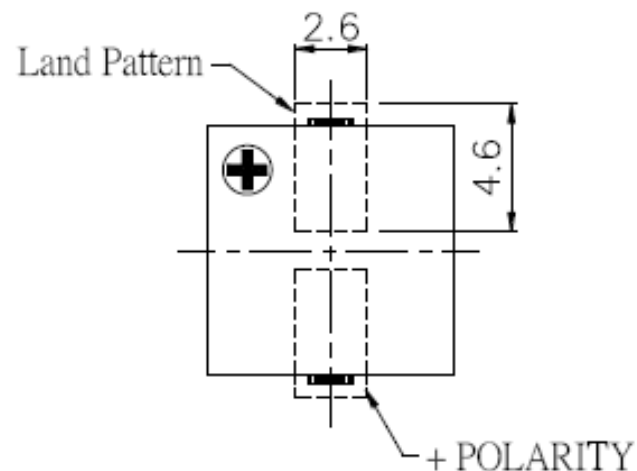
Recommended Reflow Profile



Recommended Drive Circuit



Recommended Land Pattern



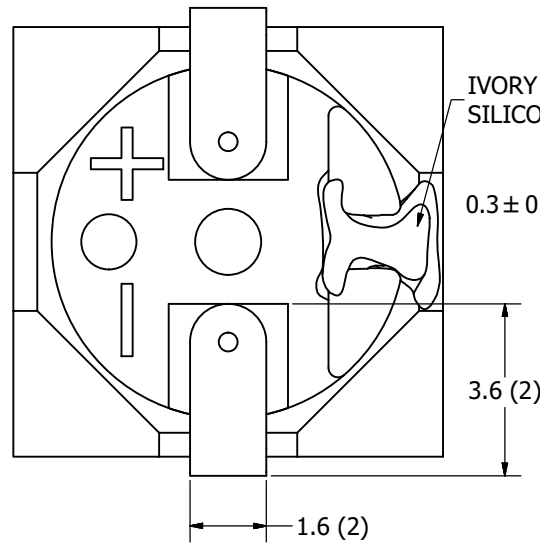
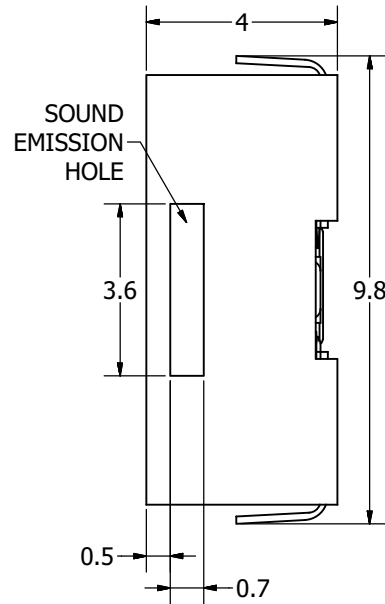
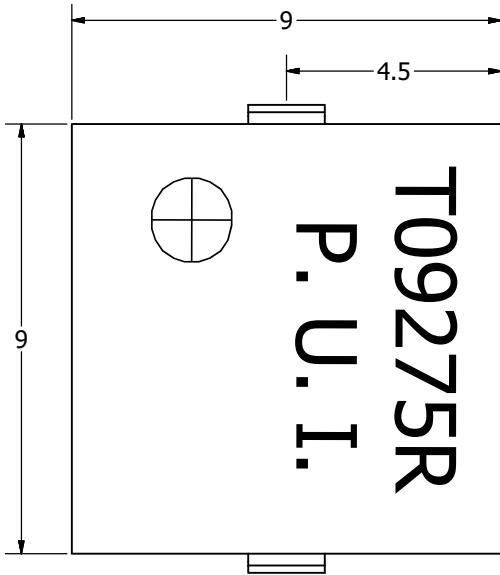
SPECIFICATIONS

PARAMETERS	VALUES	UNIT
RATED VOLTAGE	5	V0-p
OPERATING VOLTAGE RANGE	3 ~ 7	V0-p
RATED CURRENT (MAX)	80	mA
COIL RESISTANCE	32 ± 4.8	OHM
MINIMUM SPL @ 10 CM	85	dB
RESONANT FREQUENCY	2,730 ± 500	Hz
OPERATING TEMPERATURE	-30 ~ +70	°C
STORAGE TEMPERATURE	-40 ~ +85	°C
HOUSING MATERIAL	PA46	-
TERMINAL MATERIAL	Sn PLATED PHOSPHOR BRONZE	-
WEIGHT	0.8	grams

THIS DOCUMENT CONTAINS DATA PROPRIETARY TO PROJECTS UNLIMITED, INC. ANY USE OR REPRODUCTION, IN ANY FORM, WITHOUT PRIOR WRITTEN PERMISSION OF PROJECTS UNLIMITED, INC. IS PROHIBITED.
©2003, Projects Unlimited Inc.

REVISION HISTORY

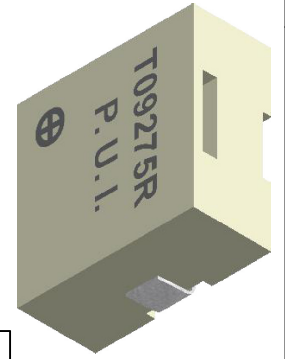
LTR	DESCRIPTION	DATE	APPROVED
-	RELEASED FROM ENGINEERING	9/16/2005	
A	REVISED SILICONE POSITION	6/2/2010	B.R.
B	REVISED TO INVENTOR 3-D DRAWING TEMPLATE	6/2/2010	B.R.
C	REVISED VOLTAGE SPECIFICATIONS TO V0-P	10/27/16	M.V.



IVORY SILICONE


0.3 ± 0.1

0.2



NOTES:

- ALL DIMENSIONS ARE IN MILLIMETERS.
- SPECIFICATIONS SUBJECT TO CHANGE OR WITHDRAWAL WITHOUT NOTICE.
- THIS PART IS RoHS 2002/95/EC COMPLIANT.

UNLESS OTHERWISE SPECIFIED: DIMENSIONS ARE IN MILLIMETERS, TOLERANCES ARE ±0.5 AND ANGLES ARE ±3°.	SIZE A3	Designed by	Date	Checked by	Date	Approved by	Date	Drawn Date
		J.A.F.	9/16/2005	E.P.	9/16/2005	B.R.	9/16/2005	6/2/2010
SMT-0927-S-5-R.idw		 pu audio™ a projects unlimited company				SMT-0927-S-5-R Transducer (Electro-Mech)		
						Edition	Sheet	
						-	1 / 1	

X-ON Electronics

Largest Supplier of Electrical and Electronic Components

Click to view similar products for [Speakers & Transducers](#) category:

Click to view products by [PUI Audio](#) manufacturer:

Other Similar products are found below :

[AS02016MR-2-R](#) [PB-1220PE](#) [PB-2015PQ](#) [900-00001](#) [SMT-2240-TW-2-R](#) [SWFK-31736-000](#) [PT-2065FW](#) [PT-4175W](#) [AT-2830-TW-LW35-R](#) [ED-30761-000](#) [ED-31305-163](#) [SMT-0830-T-R](#) [CI-30120-A42](#) [TWFK-23991-000](#) [PB-0927PQ](#) [BF-7083-000](#) [AB6505B](#) [BF-9778-000](#) [AS01708MR-SC-2-R](#) [AT-5030-TF-2-LW100-R](#) [SMS2020-08H4.5 LF](#) [BDT1717-08H6.5W56MLF](#) [BLS50-1-08H18.2B-03 LF](#) [57336039](#) [FS45MS0810-H5.0](#) [FS57DS16025-H11.4](#) [FS7030-8T-H17.5](#) [FS32MS0410-H5.1](#) [FS5030DS0420-H11.8](#) [02094](#) [02097](#) [SMT-0927-S-13-R](#) [FS57DS0430-H11.5](#) [FS7030DS0430-H17.5](#) [GMC1205YAS-8R2048](#) [GMC1205YAS-16R2048](#) [GMC1205YAS-42R2048](#) [GMC1205YAS-120R2048](#) [GSPK3013P-8R0.15W](#) [GSPK4020057TN-8R1W](#) [GSPK4020057TN-8R2W](#) [GSPK4020057TN-4R2W](#) [GSPK4935PN-8R2W-L270](#) [GSPK1609035TN-7R0.8W-L100](#) [GSPK1003PN-8R0.2W-L100](#) [GSPK1335PN-8R0.7W-L100](#) [GSPK1504PN-8R0.7W-L100](#) [GSPK151103TN-8R0.2W](#) [GSPK2004PN-8R0.5W-L100](#)