

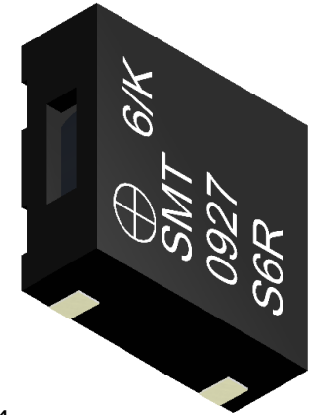
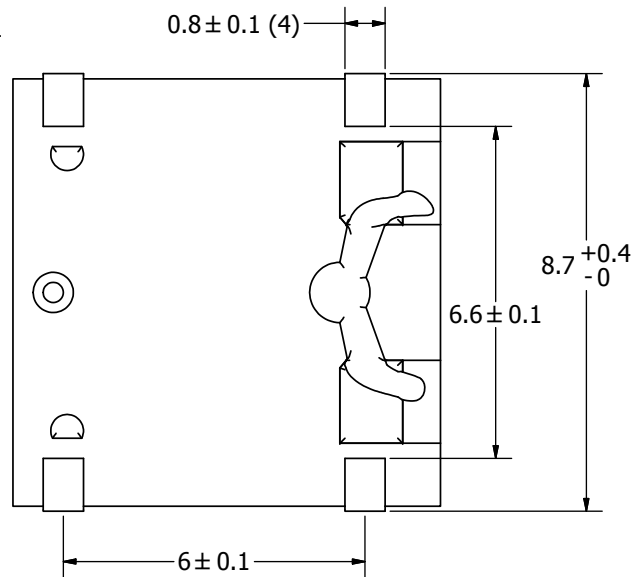
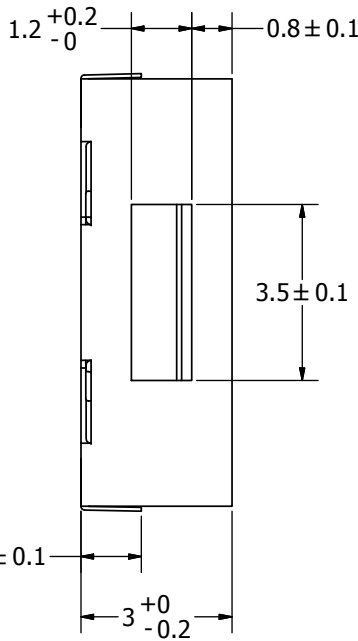
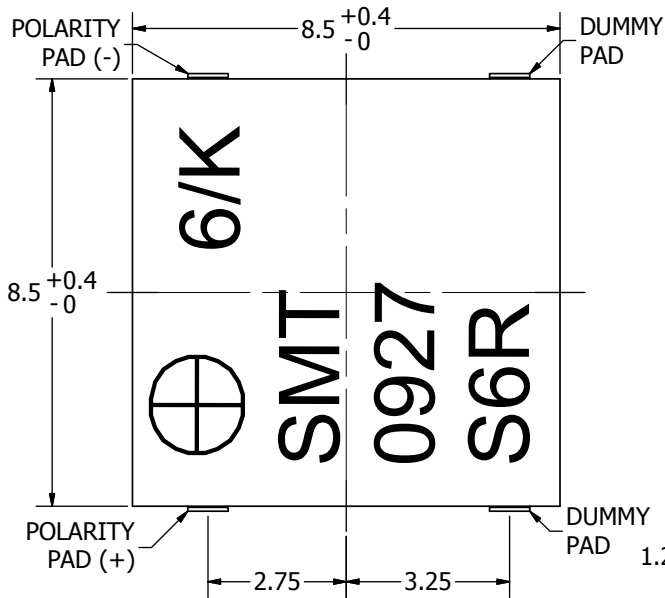
# SPECIFICATIONS

PARAMETERS	VALUES	UNIT
RATED VOLTAGE	3.6	Vp-p
OPERATING VOLTAGE RANGE	2.5 ~ 4.5	Vp-p
RATED CURRENT (MAX)	90	mA
COIL RESISTANCE	16 ± 2.4	OHM
MINIMUM SPL @ 10 CM	90	dB
RESONANT FREQUENCY	2,670 ± 500	Hz
OPERATING TEMPERATURE	-30 ~ +70	°C
STORAGE TEMPERATURE	-40 ~ +85	°C
HOUSING MATERIAL	LCP	-
TERMINAL MATERIAL	PBS	-
WEIGHT	0.4	grams

THIS DOCUMENT CONTAINS DATA PROPRIETARY TO PROJECTS UNLIMITED, INC. ANY USE OR REPRODUCTION, IN ANY FORM, WITHOUT PRIOR WRITTEN PERMISSION OF PROJECTS UNLIMITED, INC. IS PROHIBITED.  
©2003, Projects Unlimited Inc.

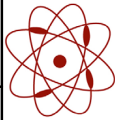
# REVISION HISTORY

LTR	DESCRIPTION	DATE	APPROVED
-	RELEASED FROM ENGINEERING	10/18/2006	
A	REVISED OPERATING VOLTAGE RANGE	10/24/2006	
B	REVISED TO INVENTOR 3-D DRAWING TEMPLATE	5/4/2010	B.R.



## NOTES:

1. ALL DIMENSIONS ARE IN MILLIMETERS.
2. SPECIFICATIONS SUBJECT TO CHANGE OR WITHDRAWAL WITHOUT NOTICE.
3. THIS PART IS RoHS 2002/95/EC COMPLIANT.

UNLESS OTHERWISE SPECIFIED: DIMENSIONS ARE IN MILLIMETERS, TOLERANCES ARE ±0.5 AND ANGLES ARE ±3°.	SIZE <b>A3</b>	Designed by	Date	Checked by	Date	Approved by	Date	Drawn Date	
		J.D.	10/18/2006	R.W.	10/18/2006	R.W.	10/18/2006	5/5/2010	
SMT-0927-S-6-R.idw		 <b>pui audio</b> a projects unlimited company				<b>SMT-0927-S-6-R</b> Transducer (Electro-Mech)		Edition -	Sheet 1 / 1

## X-ON Electronics

Largest Supplier of Electrical and Electronic Components

*Click to view similar products for [Speakers & Transducers](#) category:*

*Click to view products by [PUI Audio](#) manufacturer:*

Other Similar products are found below :

[AS02016MR-2-R](#) [PB-1220PE](#) [PB-2015PQ](#) [900-00001](#) [SMT-2240-TW-2-R](#) [PT-2065FW](#) [PT-4175W](#) [AT-2830-TW-LW35-R](#) [ED-30761-000](#)  
[ED-31305-163](#) [SMT-0830-T-R](#) [CI-30120-A42](#) [TWFK-23991-000](#) [PB-0927PQ](#) [BF-7083-000](#) [AB6505B](#) [BF-9778-000](#) [AS01708MR-SC-2-R](#)  
[AT-5030-TF-2-LW100-R](#) [SMS2020-08H4.5 LF](#) [BDT1717-08H6.5W56MLF](#) [BLS50-1-08H18.2B-03 LF](#) [5733](#) [6039](#) [FS45MS0810-H5.0](#)  
[FS57DS16025-H11.4](#) [FS7030-8T-H17.5](#) [FS32MS0410-H5.1](#) [FS5030DS0420-H11.8](#) [02094](#) [02097](#) [SMT-0927-S-13-R](#) [FS57DS0430-H11.5](#)  
[FS7030DS0430-H17.5](#) [GMC1205YAS-8R2048](#) [GMC1205YAS-16R2048](#) [GMC1205YAS-42R2048](#) [GMC1205YAS-120R2048](#) [GSPK3013P-](#)  
[8R0.15W](#) [GSPK4020057TN-8R1W](#) [GSPK4020057TN-8R2W](#) [GSPK4020057TN-4R2W](#) [GSPK4935PN-8R2W-L270](#) [GSPK1609035TN-](#)  
[7R0.8W-L100](#) [GSPK1003PN-8R0.2W-L100](#) [GSPK1335PN-8R0.7W-L100](#) [GSPK1504PN-8R0.7W-L100](#) [GSPK151103TN-8R0.2W](#)  
[GSPK2004PN-8R0.5W-L100](#) [GSPK2004PN-8R1W-L100](#)