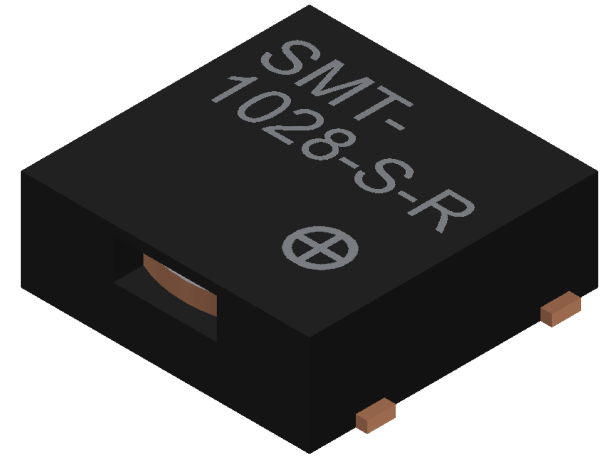




pui
audio™ inc
a projects unlimited company

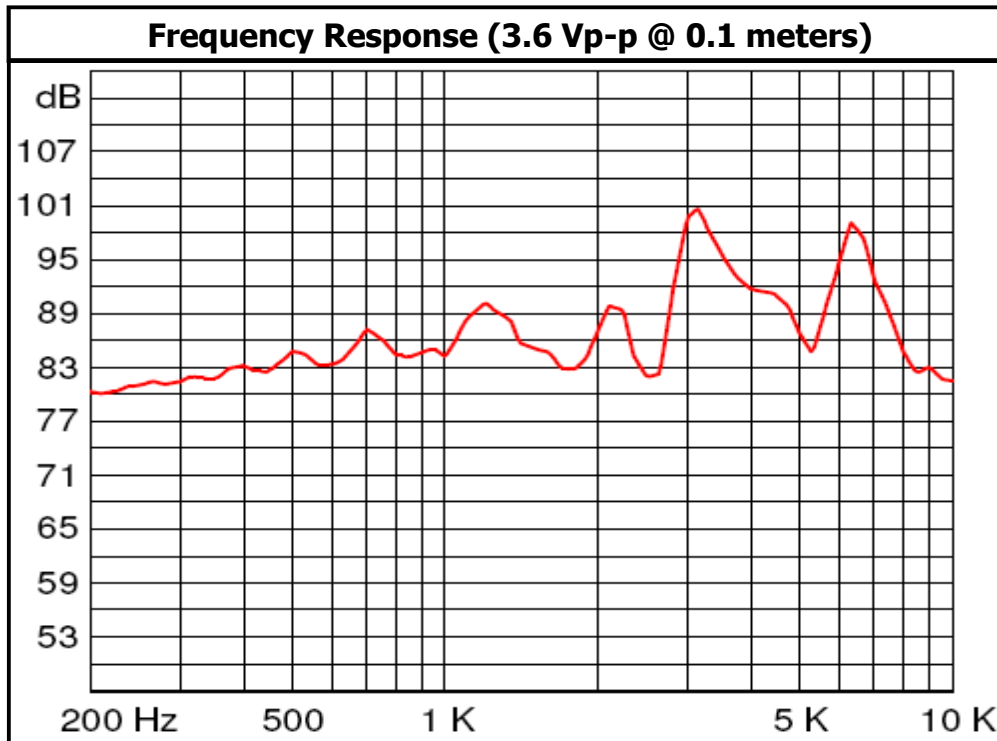
SMT-1028-S-R 10x10mm Transducer



3541 Stop Eight Road • Dayton, Ohio 45414

Product Overview

- Side-firing electromechanical transducer designed for 2 to 4 Vp-p
- Small 10 x 10mm footprint with surprising 93 dB output
- 2,830 Hz resonant frequency targets most sensitive region of human hearing
- Designed for reflow soldering using a lead-free profile



RoHS Compliant





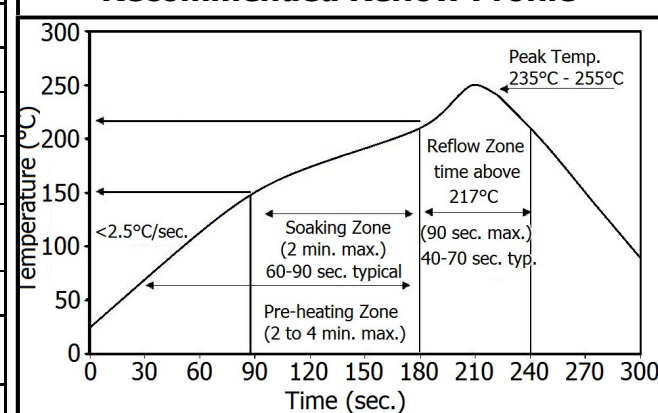
SMT-1028-S-R

10x10mm Transducer

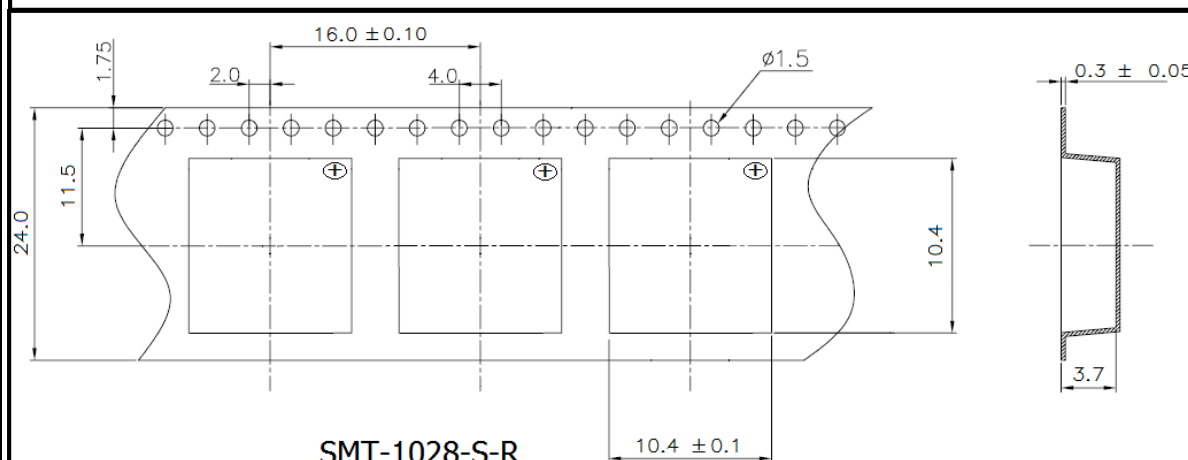
Mechanical and Environment Testing

Test Description	Test Condition
High Temperature	85°C (±2°C) with random humidity for 96 hours
Low Temperature	-40°C (±2°C) with random humidity for 96 hours
Humidity	25°C to 60°C with 90% to 95% relative humidity for 12 hours, 10 cycles
Vibration	1.53 mm movement modulated at 10-55 Hz in 3 directions for 6 hours
Drop Test	120 cm free fall in six directions, 3 cycles
Temperature Cycle Test	-30°C to 70°C, five 90 minute cycles

Recommended Reflow Profile

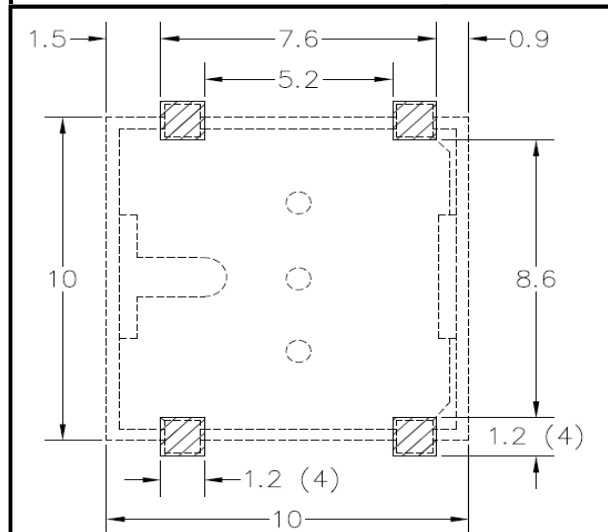


Tape Dimensions



SMT-1028-S-R
Tape Dimensions
1,000 PCS/Reel

Recommended Land Pattern



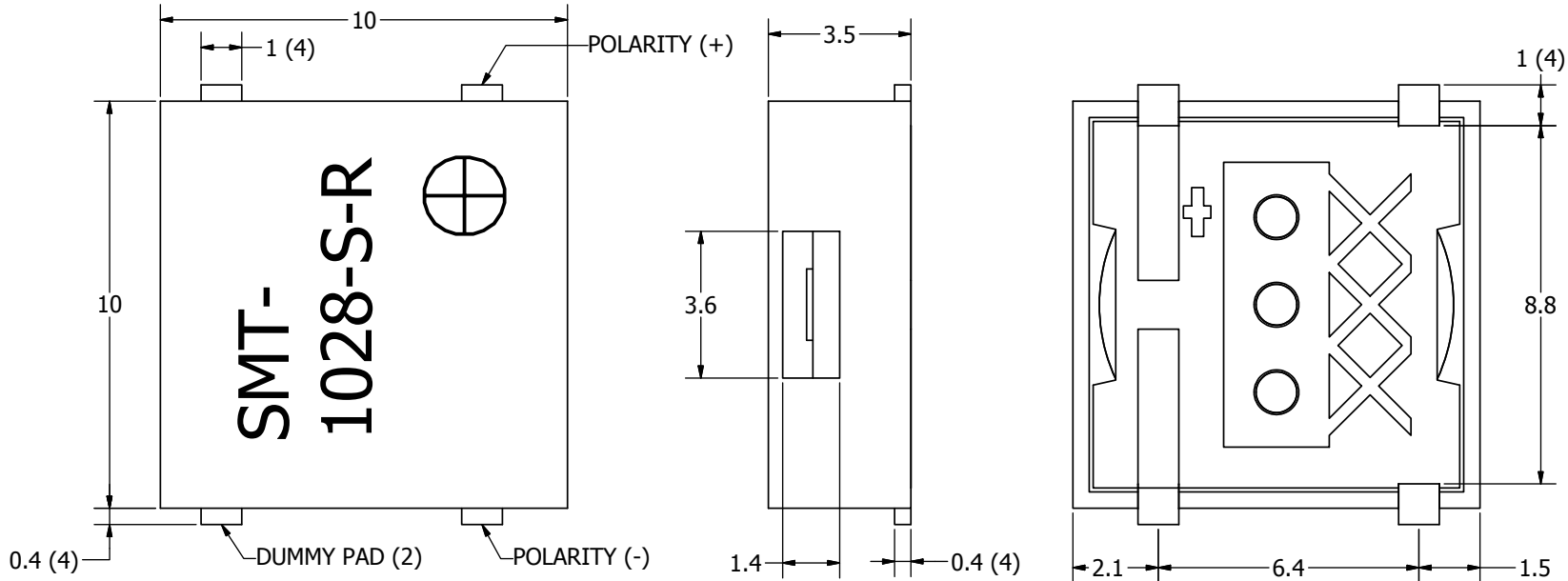
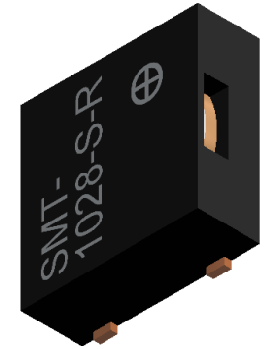
SPECIFICATIONS

PARAMETERS	VALUES	UNITS
RATED VOLTAGE (SQUARE WAVE)	3.6	Vp-p
OPERATING VOLTAGE RANGE	3 ~ 4.6	Vp-p
RATED CURRENT (MAX)	100	mA
COIL RESISTANCE	18 ± 5	OHM
MINIMUM SPL @ 10 CM	93	dB
RESONANT FREQUENCY	2,830 ± 500	Hz
OPERATING TEMPERATURE	-20 ~ +70	°C
STORAGE TEMPERATURE	-40 ~ +85	°C
HOUSING MATERIAL	LCP	-
TERMINAL MATERIAL	Cu WRAPPED FR4 Au PLATED	-
WEIGHT	0.9	grams

THIS DOCUMENT CONTAINS DATA PROPRIETARY TO PROJECTS UNLIMITED, INC. ANY USE OR REPRODUCTION, IN ANY FORM, WITHOUT PRIOR WRITTEN PERMISSION OF PROJECTS UNLIMITED, INC. IS PROHIBITED.
©2003, Projects Unlimited Inc.

REVISION HISTORY

LTR	DESCRIPTION	DATE	APPROVED
-	RELEASED FROM ENGINEERING	7/19/2005	
A	REVISED TERMINAL MATERIAL	1/20/2006	B.R.
B	REVISED HOUSING AND TERMINAL MATERIAL	8/21/2006	B.R.
C	REVISED TO INVENTOR 3-D DRAWING TEMPLATE	11/6/2007	B.R.



NOTES:

1. ALL DIMENSIONS ARE IN MILLIMETERS.
2. SPECIFICATIONS SUBJECT TO CHANGE OR WITHDRAWAL WITHOUT NOTICE.
3. THIS PART IS RoHS 2002/95/EC COMPLIANT.

UNLESS OTHERWISE SPECIFIED: DIMENSIONS ARE IN MILLIMETERS, TOLERANCES ARE ±0.5 AND ANGLES ARE ±3°.	SIZE	Designed by	Date	Checked by	Date	Approved by	Date	Drawn Date		
	A3	R.C.	7/19/2005			E.P.	7/19/2005	11/6/2007		
SMT-1028-S-R.idw		 pui audio <small>a projects unlimited company</small>		SMT-1028-S-R			Transducer (Electro-Mech)		Edition	Sheet
							-		1 / 1	

X-ON Electronics

Largest Supplier of Electrical and Electronic Components

Click to view similar products for [Speakers & Transducers](#) category:

Click to view products by [PUI Audio](#) manufacturer:

Other Similar products are found below :

[AS02016MR-2-R](#) [PB-1220PE](#) [PB-2015PQ](#) [900-00001](#) [SMT-2240-TW-2-R](#) [PT-2065FW](#) [PT-4175W](#) [AT-2830-TW-LW35-R](#) [ED-30761-000](#)
[ED-31305-163](#) [SMT-0830-T-R](#) [CI-30120-A42](#) [TWFK-23991-000](#) [PB-0927PQ](#) [BF-7083-000](#) [AB6505B](#) [BF-9778-000](#) [AS01708MR-SC-2-R](#)
[AT-5030-TF-2-LW100-R](#) [SMS2020-08H4.5 LF](#) [BDT1717-08H6.5W56MLF](#) [BLS50-1-08H18.2B-03 LF](#) [5733](#) [6039](#) [FS45MS0810-H5.0](#)
[FS57DS16025-H11.4](#) [FS7030-8T-H17.5](#) [FS32MS0410-H5.1](#) [FS5030DS0420-H11.8](#) [02094](#) [02097](#) [SMT-0927-S-13-R](#) [FS57DS0430-H11.5](#)
[FS7030DS0430-H17.5](#) [GMC1205YAS-8R2048](#) [GMC1205YAS-16R2048](#) [GMC1205YAS-42R2048](#) [GMC1205YAS-120R2048](#) [GSPK3013P-](#)
[8R0.15W](#) [GSPK4020057TN-8R1W](#) [GSPK4020057TN-8R2W](#) [GSPK4020057TN-4R2W](#) [GSPK4935PN-8R2W-L270](#) [GSPK1609035TN-](#)
[7R0.8W-L100](#) [GSPK1003PN-8R0.2W-L100](#) [GSPK1335PN-8R0.7W-L100](#) [GSPK1504PN-8R0.7W-L100](#) [GSPK151103TN-8R0.2W](#)
[GSPK2004PN-8R0.5W-L100](#) [GSPK2004PN-8R1W-L100](#)