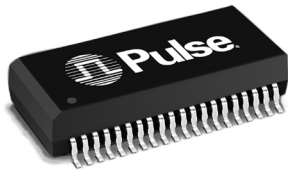
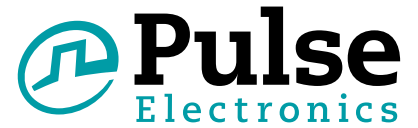


# 10/100BASE-TX QUAD-PORT TRANSFORMER MODULES

Military/Aerospace Grade



- Compliant with IEEE 802.3u and ANSI X3.263 standards
- 350µH OCL with 8mA bias
- Operating and storage temperature:
  - 100B-4005:** -40°C to +85°C
  - 100B-4005X:** -55°C to +125°C
- IC grade transfer-molded package withstands 235°C peak temperature profile
- Max Reflow Temperature:** 235°C
- MSL:** 3

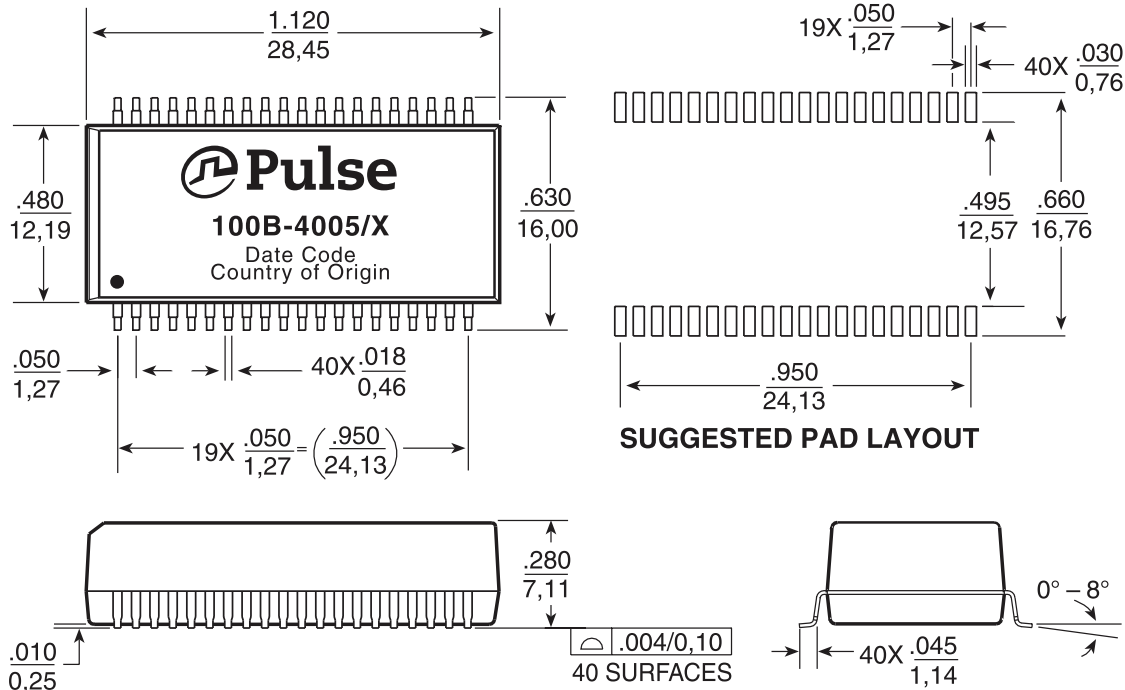
## Electrical Specifications @ 25°C

Part Number	Insertion Loss (dB MIN)	Return Loss (dB MAX)				Crosstalk (dB MAX)				Differential to Common Mode Rejection (dB MAX)		
		0.1-100 MHz	2-30 MHz	50 MHz	60 MHz	80 MHz	16 MHz	30 MHz	60 MHz	80 MHz	0.1-30 MHz	30-60 MHz
<b>100B-4005</b>	-1.00	-18	-14	-12	-12	-54	-50	-46	-44	TX: -49 RX: -52	TX: -44 RX: -49	TX: -40 RX: -42
<b>100B-4005X</b>	-1.20	-18	-14	-12	-10	-48	-42	-38	-33	TX: -45 RX: -45	TX: -40 RX: -40	TX: -38 RX: -35

Note: Add suffix NL for RoHS compliant part i.e. 100B-4005XNL

## Mechanical

### 100B-4005/X



Weight ..... 4.0 grams TYP  
Tape and Reel ..... .250/reel  
Tray ..... 15/tray

Dimensions: Inches  
mm  
Unless otherwise specified, all tolerances are ± .010  
0.25

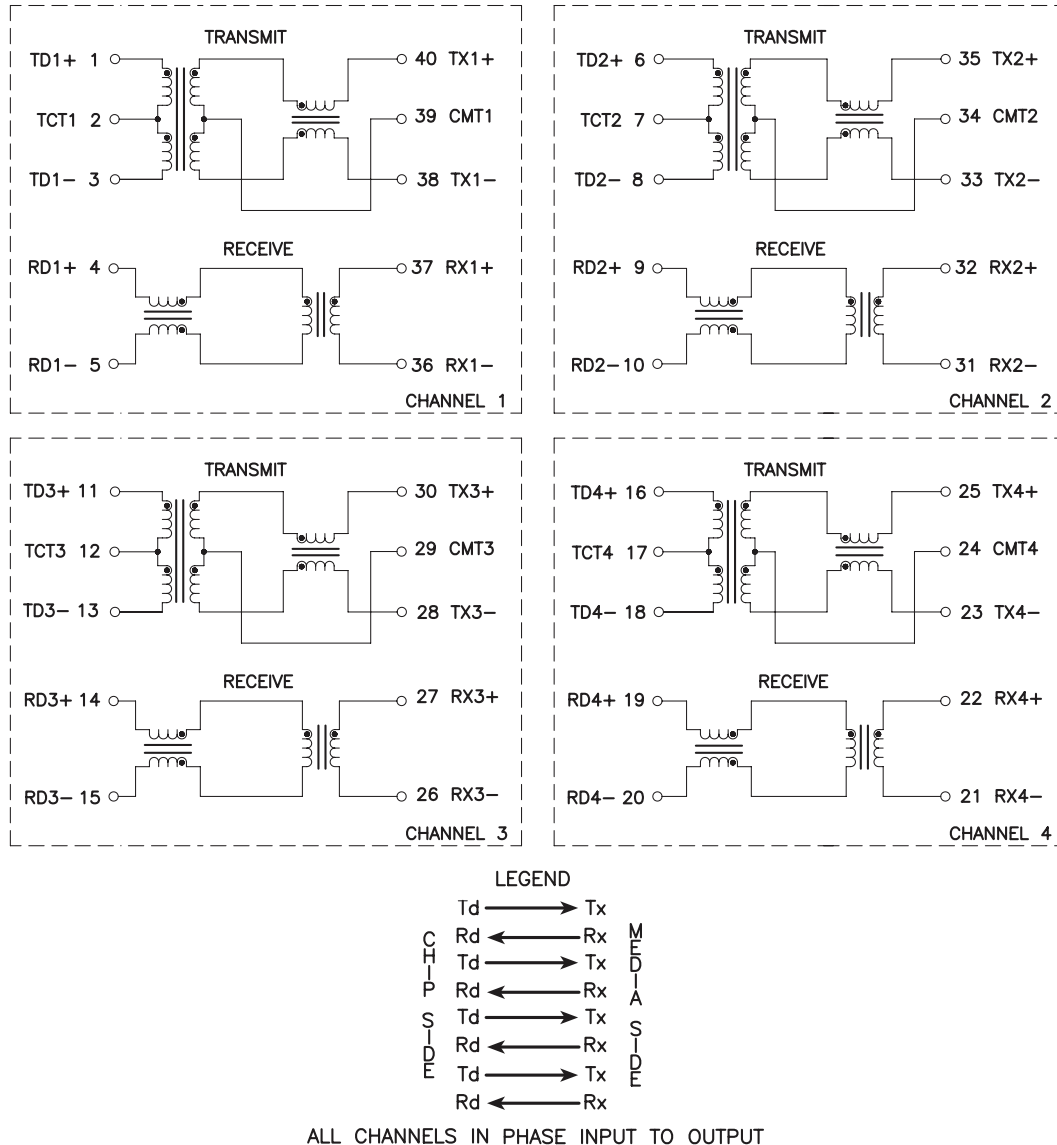
# 10/100BASE-TX QUAD-PORT TRANSFORMER MODULES

Military/Aerospace Grade



## Schematic

100B-4005/X



## For More Information

**Pulse North America Headquarters**  
Two Pearl Buck Court  
Bristol, PA 19007  
U.S.A.

Tel: 215 781 6400  
Fax: 215 781 6403

**Pulse Europe**  
Zeppelinstrasse 15  
71083 Herrenberg  
Germany

Tel: 49 7032 7806 0  
Fax: 49 7032 7806 12

**Pulse China Headquarters**  
B402, Shenzhen Academy of  
Aerospace Technology Bldg.  
10th Kejinan Road  
High-Tech Zone  
Nanshan District  
Shenzhen, PR China 518057  
Tel: 86 755 33966678  
Fax: 86 755 33966700

**Pulse North China**  
Room 2704/2705  
Super Ocean Finance Ctr.  
2067 Yan An Road West  
Shanghai 200336  
China  
Tel: 86 21 62787060  
Fax: 86 2162786973

**Pulse South Asia**  
135 Joo Seng Road  
#03-02  
PM Industrial Bldg.  
Singapore 368363  
Tel: 65 6287 8998  
Fax: 65 6287 8998

**Pulse North Asia**  
3F, No. 198  
Zhongyuan Road  
Zhongli City  
Taoyuan County 320  
Taiwan R. O. C.  
Tel: 886 3 4356768  
Fax: 886 3 4356823 (Pulse)  
Fax: 886 3 4356820 (FRE)

Performance warranty of products offered on this data sheet is limited to the parameters specified. Data is subject to change without notice. Other brand and product names mentioned herein may be trademarks or registered trademarks of their respective owners. © Copyright, 2013. Pulse Electronics, Inc. All rights reserved.

## X-ON Electronics

Largest Supplier of Electrical and Electronic Components

*Click to view similar products for [pulse manufacturer](#):*

Other Similar products are found below :

[PH9085.011NL](#) [PE-0603CD060KTT](#) [PH9185.034NLT](#) [P0182T](#) [PE-0805CD030KTT](#) [PE-53363NLT](#) [23Z106SM-T](#) [HX5400NL](#) [JXD0-4005NL](#) [ST6200QNL](#) [T3001NL](#) [HX2019](#) [HX1148NL](#) [PE-65968NL](#) [PE-65535NL](#) [T1142NLT](#) [H6062NL](#) [H7019FNL](#) [PA2743NL](#) [P0438T](#) [P0584](#) [P0752.474T](#) [P1167.154T](#) [STQN1553-45](#) [JG0-0098NL](#) [JG0-0025NL](#) [J20-0014NL](#) [W1911](#) [JX20-0114NL](#) [HX6101NL](#) [PA4345.102NLT](#) [RO2408NMD](#) [P0469NL](#) [P0841SNLT](#) [PB2134NL](#) [ST2-12B42](#) [PE-0805CM331JTT](#) [53119](#) [J3026G01DNL](#) [P0849SNL](#) [W3012-K](#) [T1124NL](#) [H5004NL](#) [JX30-0005NL](#) [JTH-0024NL](#) [JG0-0023NL](#) [HX6098NL](#) [UKIT-008BM](#) [H1062NL](#) [W3073-K-US](#)