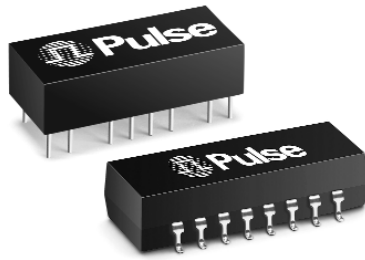


VDSL TRANSFORMERS

For Use with Broadcom® BCM 6010/6020



- Supports speeds up to 25.92 Mbps
- Provides two-wire to four-wire conversion
- Surface mount or through hole package

Electrical Specifications @ 25°C — Operating Temperature 0°C to 70°C

Part Number	Turns Ratio		DCR (MAX)	Return Loss (dB MIN)	Insertion Loss* (dB MAX)	Transhybrid Loss (dB MIN)	Longitudinal Balance (dB MIN)	Isolation Voltage (Vrms)
	Trans.	Rec.						
B4008 (THT)	2:1	1:1	0.5 Ω	138 kHz to 1 MHz: 13.5	138 kHz to 20 MHz: 0.5	138 kHz to 1 MHz: 30	138 kHz to 300 kHz: 60	2000
B4025 (SMT)				1 MHz to 20 MHz: 20		1 MHz to 20 MHz: 25	300 kHz to 1 MHz: 50	
						1 MHz to 20 MHz: 30		

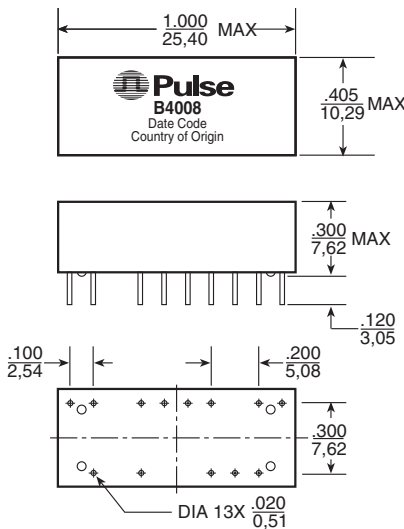
NOTE: Common Mode Chokes to reduce common mode ingress from AM Broadcast or HAM Radios are available. See data sheet B912 for parts B4001 and B4003.

Surge Voltage Capability: Metallic: 800 Vpeak 10/560 µsec. Long.: 2400 Vpeak 10/700 µsec.

Surge over the Extended Temperature Range: Insertion Loss can increase to 1 dB. Return Loss can drop to 7 dB from 138 kHz to 300 kHz, and 12 dB from 300 kHz to 1 MHz.

Mechanicals

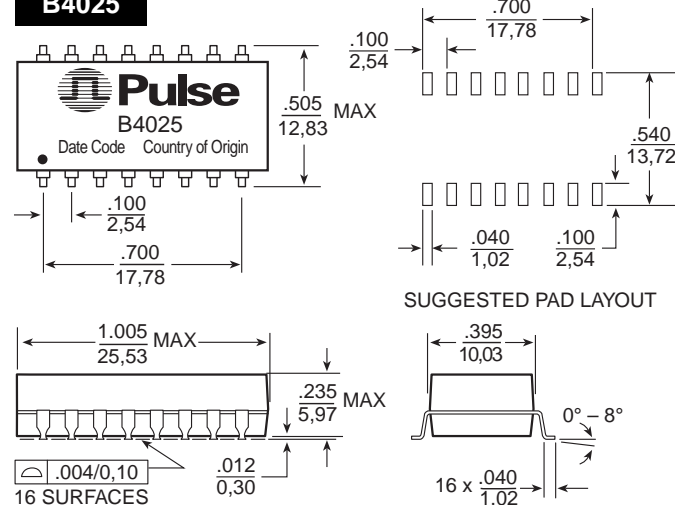
B4008



Weight.....2.8 grams
 Tube......20/tube

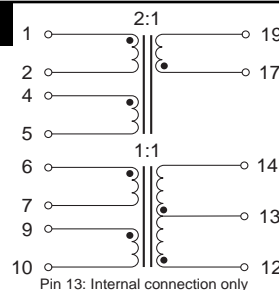
Dimensions: $\frac{\text{Inches}}{\text{mm}}$
 Unless otherwise specified, all tolerances are $\pm \frac{.010}{0.25}$

B4025

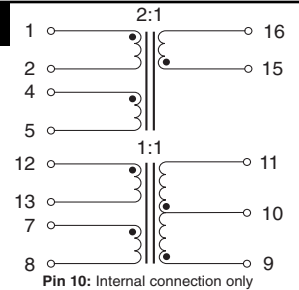


Schematics

B4008



B4025



For More Information :

UNITED STATES (Worldwide)

12220 World Trade Drive
 San Diego, CA 92128
 U.S.A.
<http://www.pulseeng.com>
 TEL: 858 674 8100
 FAX: 858 674 8262

UNITED KINGDOM (Northern Europe)

1 & 2 Huxley Road
 The Surrey Research Park
 Guildford, Surrey GU2 5RE
 United Kingdom
 TEL: 44 1483 401700
 FAX: 44 1483 401701

FRANCE (Southern Europe)

Zone Industrielle
 F-39270
 Orgelet
 France
 TEL: 33 3 84 35 04 04
 FAX: 33 3 84 25 46 41

SINGAPORE (Southern Asia)

150 Kampong Ampat
 #07-01/02
 KA Centre
 Singapore 368324
 TEL: 65 6287 8998
 FAX: 65 6280 0080

TAIWAN, R.O.C. (Northern Asia)

3F-4, No. 81, Sec. 1
 HsinTai Wu Road
 Hsi-Chih, Taipei Hsien
 Taiwan, R.O.C.
 Tel: 886 2 2698 0228
 FAX: 886 2 2698 0948

HONG KONG (China/Hong Kong)

9/F, Phase 2, Tai Sang
 Shatin Warehouse Centre
 6 Wong Chuk Yeung Street
 Fotan, Shatin, Hong Kong
 TEL: 852 2788 6588
 FAX: 852 2776 1055

DISTRIBUTOR

Performance warranty of products offered on this data sheet is limited to the parameters specified. Data is subject to change without notice. Other brand and product names mentioned herein may be products and/or registered trademarks of their respective owners.

Printed on recycled paper. ©2003, Pulse Engineering, Inc.

B925.A (11/03)

X-ON Electronics

Largest Supplier of Electrical and Electronic Components

Click to view similar products for [Pulse manufacturer](#):

Other Similar products are found below :

[ICEFIN806DMN](#) [ICEFIN698/869DMN](#) [PH9085.011NL](#) [PE-0603CD060KTT](#) [H1086NLT](#) [P0182T](#) [PA1494.442NL](#) [PE-0805CD030KTT](#) [PE-53363NLT](#) [23Z106SM-T](#) [HX5400NL](#) [JXD0-4005NL](#) [ST6200QNL](#) [T3001NL](#) [HX2019](#) [PE-67540NL](#) [PE-65968NL](#) [PE-65535NL](#) [T1142NLT](#) [H7019FNL](#) [P0841NL](#) [P0438T](#) [P0584](#) [P0752.474T](#) [P1167.154T](#) [STQN1553-45](#) [JY0-0016NL](#) [JG0-0098NL](#) [JG0-0025NL](#) [J20-0014NL](#) [W1911](#) [HX6101NL](#) [JXD1-0025NL](#) [RO2408NMD](#) [P0469NL](#) [P0841SNLT](#) [PB2134NL](#) [ST2-12B42](#) [PE-0805CM331JTT](#) [PE-51509NL](#) [53119](#) [J3026G01DNL](#) [P0849SNL](#) [W3012-K](#) [HX5020NL](#) [HX5201NL](#) [PE-68210NL](#) [T1124NL](#) [H5004NL](#) [JX30-0005NL](#)