

CX2047LANL

- Balun Transformer
- 1:4CT Impedance
- Surface Mount

ELECTRICAL SPECIFICATIONS: @ 25°C

RETURN LOSS:

FREQUENCY	RETURN LOSS
.5 MHz	-17 dB MIN
1 MHz	-20 dB MIN
10 MHz	-29 dB MIN
50 MHz	-28 dB MIN
70 MHz	-27 dB MIN

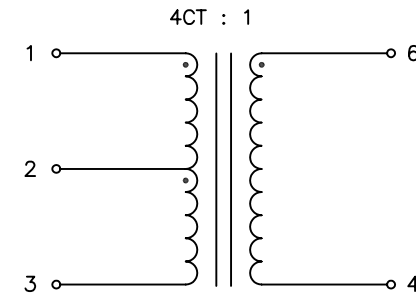
FREQUENCY	RETURN LOSS
100 MHz	-25 dB MIN
150 MHz	-21 dB MIN
200 MHz	-18 dB MIN
250 MHz	-16 dB MIN
300 MHz	-14 dB MIN

INSERTION LOSS:

FREQUENCY	ATTENUATION
100 KHz	-4 dB MAX
.5 MHz	-1 dB MAX
1.5-100 MHz	-0.5 dB MAX
300 MHz	-1 dB MAX

NOTES: UNLESS OTHERWISE SPECIFIED

1. OPERATING TEMPERATURE: -40°C TO +85°C
2. STORAGE TEMPERATURE: -50°C TO +125°C
3. JEDEC MOISTURE: LEVEL 1.
4. DIMENSIONS ARE IN INCHES WITH THE FOLLOWING TOLERANCE:
.XX= ±.01
.XXX= ±.005
5. OPTIONAL TAPE & REEL PACKAGING CAN BE ORDERED
BY ADDING A "T" SUFFIX TO THE PART NUMBER(EX: CX2047LANLT)
6. ROHS COMPLIANT



SCHEMATIC

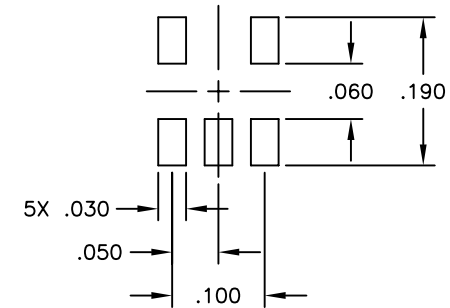
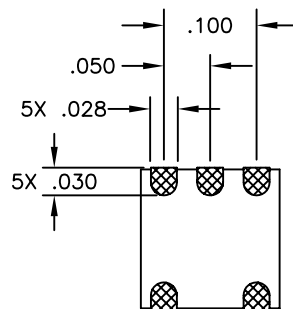
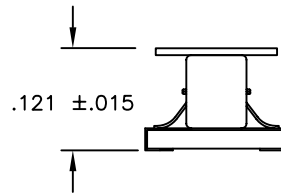
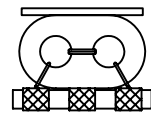
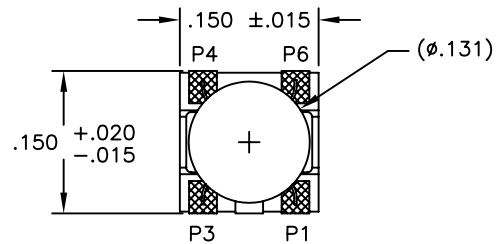
© Copyright, 2014. Pulse Electronics Corp. All rights reserved. Drawing specifications subject to change without notice. (02/14/14)

PULSE CONFIDENTIAL
&
PROPRIETARY

PRODUCT SPECIFICATION:
XFMR, RF, SGL, RAC, 1:4CT, 0.5-300MHz

DWG. NO./ PART NO.	SHEET:	REV.
CX2047LANL	1	M12

MECHANICAL SPECIFICATIONS:



SUGGESTED LAND PATTERN

© Copyright, 2014. Pulse Electronics Corp. All rights reserved. Drawing specifications subject to change without notice. (02/14/14)

PULSE CONFIDENTIAL
&
PROPRIETARY

PRODUCT SPECIFICATION:
XFMR, RF, SGL, RAC, 1:4CT, 0.5–300MHz

DWG. NO./ PART NO.	SHEET:	REV.
CX2047LANL	2	M12

X-ON Electronics

Largest Supplier of Electrical and Electronic Components

Click to view similar products for [Audio Transformers](#) / [Signal Transformers](#) category:

Click to view products by [Pulse manufacturer](#):

Other Similar products are found below :

[CU4S0506AT-2655-H1](#) [MGPWT-00449-P](#) [PE-64961](#) [1812WBT2-4](#) [BX1194WNL](#) [1879479-1](#) [PA1528ANL](#) [T1137NLT](#) [T3012NL](#) [PE-65848FNLT](#) [H5019EFNL](#) [CX2045ALNLT](#) [MET-14](#) [MGPWT-00059-P](#) [MGPWT-00266-P](#) [MGPWT-00278-P](#) [MGPWT-00431-P](#) [TTC-100](#) [TTC-143-H](#) [TTC-5032-1](#) [4-1879391-0](#) [100213](#) [T1142NL](#) [T1124NL](#) [1879732-1](#) [2-1879391-5](#) [B8846NL](#) [MABA-010321-CT1A42](#) [TX1341NL](#) [H0013FNL](#) [H5020FNL](#) [H2009FNLT](#) [H5004NLT](#) [S553-5999-52-F](#) [T5008NLT](#) [PE-68517T](#) [TG111-E212NWLFR](#) [MGPWT-00339-P](#) [H5014FNLT](#) [TX1473NLT](#) [PE-69011NLT](#) [CX2043LNLT](#) [H7137FNLT](#) [H1259NLT](#) [TX1344NLT](#) [LM-LP-1005L](#) [H0013NLT](#) [S558-5500-JV](#) [TX1193NLT](#) [T7015NL](#)