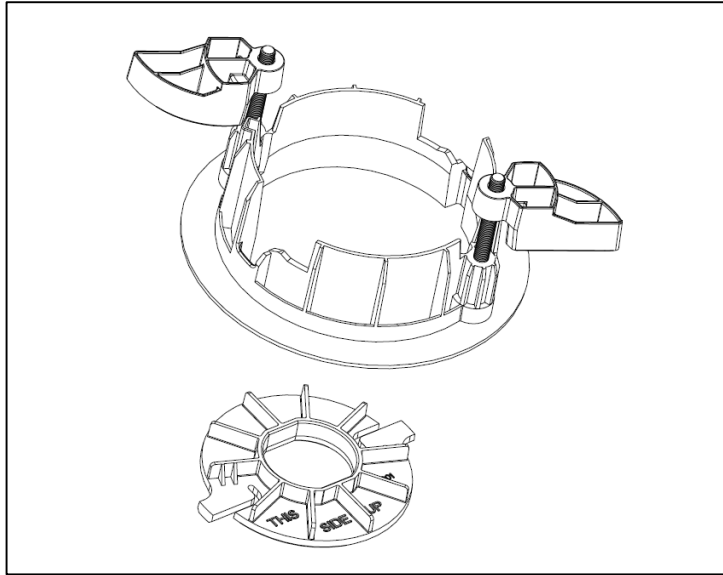


**Description:** DAS Clarity Ceiling Mount Insert

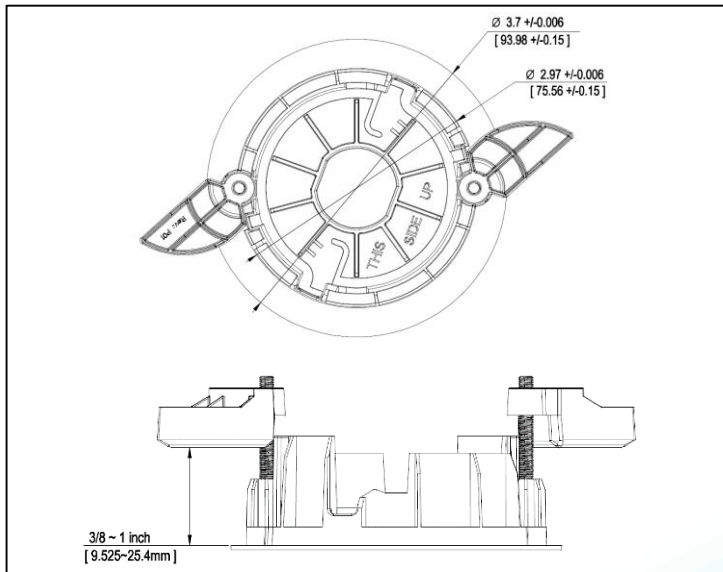
**Series:** Accessory

**PART NUMBER:** DASCLINSERT



**Features:**

- Allows one-sided (blind hole) installation.
- No above ceiling access required.
- Eliminates costly access panels
- Low PIM: Will not induce PIM into system.
- Near flush mount.
- Easy installation and removal
- Snap-in antenna assembly minimizes cable torque.
- Patent Pending



**Applications:**

- Use with Clarity Family of ultra-thin ceiling mount antennas.
- Perfect for plaster, drywall and other architectural ceilings.
- Both Carrier and Public Safety DAS Installations

All dimensions are in mm / inches

**Issue: 1609 DRAFT RalfYe**

In the effort to improve our products, we reserve the right to make changes judged to be necessary.

CONFIDENTIAL AND PROPRIETARY INFORMATION

This document contains confidential and proprietary information of Pulse Electronics, Inc. (Pulse) and is protected by copyright, trade secret and other state and federal laws. Its receipt or possession does not convey any rights to reproduce, disclose its contents, or to manufacture, use or sell anything it may describe. Reproduction, disclosure or use without specific written authorization of Pulse is strictly forbidden.

For more information:

Pulse Worldwide Headquarters  
12220 World Trade Drive  
San Diego, CA 92128  
USA  
Tel: 1-858-674-8100

Pulse/Larsen Antennas  
3611 NE 112<sup>th</sup> Ave  
Vancouver, WA 98682  
USA  
Tel: 1-360-944-7551

Europe Headquarters  
Pulse GmbH & Do, KG  
Zeppelinstrasse 15  
Herrenberg, Germany  
Tel: 49 7032 7806 0

Pulse (Suzhou) Wireless Products Co, Inc.  
99 Huo Ju Road(#29 Bldg,4<sup>th</sup> Phase  
Suzhou New District  
Jiangsu Province, Suzhou 215009 PR China  
Tel: 86 512 6807 9998



**Description:** DAS Clarity Ceiling Mount Insert

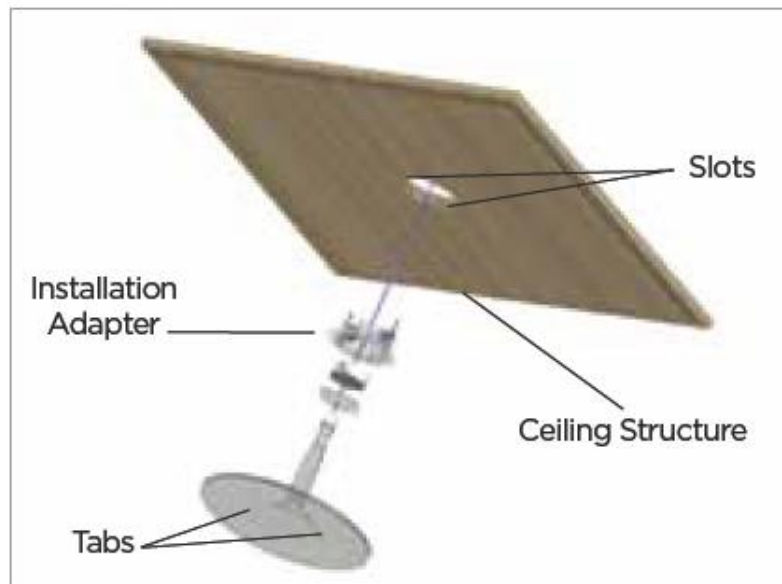
**Series:** Accessory

**PART NUMBER:** : DASCLINSERT

**This document covers all product variants of the following product family:**

This insert assembly is used to allow Pulse Clarity Family DASUTCCXXX, DASUTWCXXX and PSUTWCXXX antennas to be installed when there is no access to the area above the ceiling (like drywall or plaster board) other than a hole to fish the wire through.

Typical Assembly using the Clarity Installation Adapter



Issue: 1609 DRAFT RalfYe

In the effort to improve our products, we reserve the right to make changes judged to be necessary.

CONFIDENTIAL AND PROPRIETARY INFORMATION

This document contains confidential and proprietary information of Pulse Electronics, Inc. (Pulse) and is protected by copyright, trade secret and other state and federal laws. Its receipt or possession does not convey any rights to reproduce, disclose its contents, or to manufacture, use or sell anything it may describe. Reproduction, disclosure or use without specific written authorization of Pulse is strictly forbidden.

**Description:** DAS Clarity Ceiling Mount Insert

**Series:** Accessory

**PART NUMBER:** : DASCLINSERT

### MECHANICAL SPECIFICATIONS

Plastic radome	PC
Color	Clarity
Weight	42 g

### ENVIRONMENTAL SPECIFICATIONS

Operating temperature	-40~85 ° C
Temperature	
Stationary	-40~85 ° C
Cyclic	3 cycles Rate 5°C/min

Issue: 1609 DRAFT RalfYe

In the effort to improve our products, we reserve the right to make changes judged to be necessary.

CONFIDENTIAL AND PROPRIETARY INFORMATION

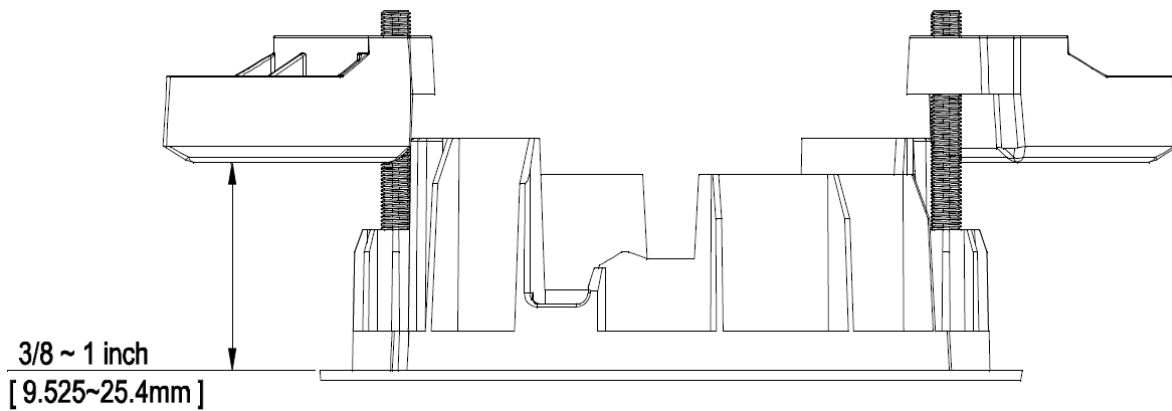
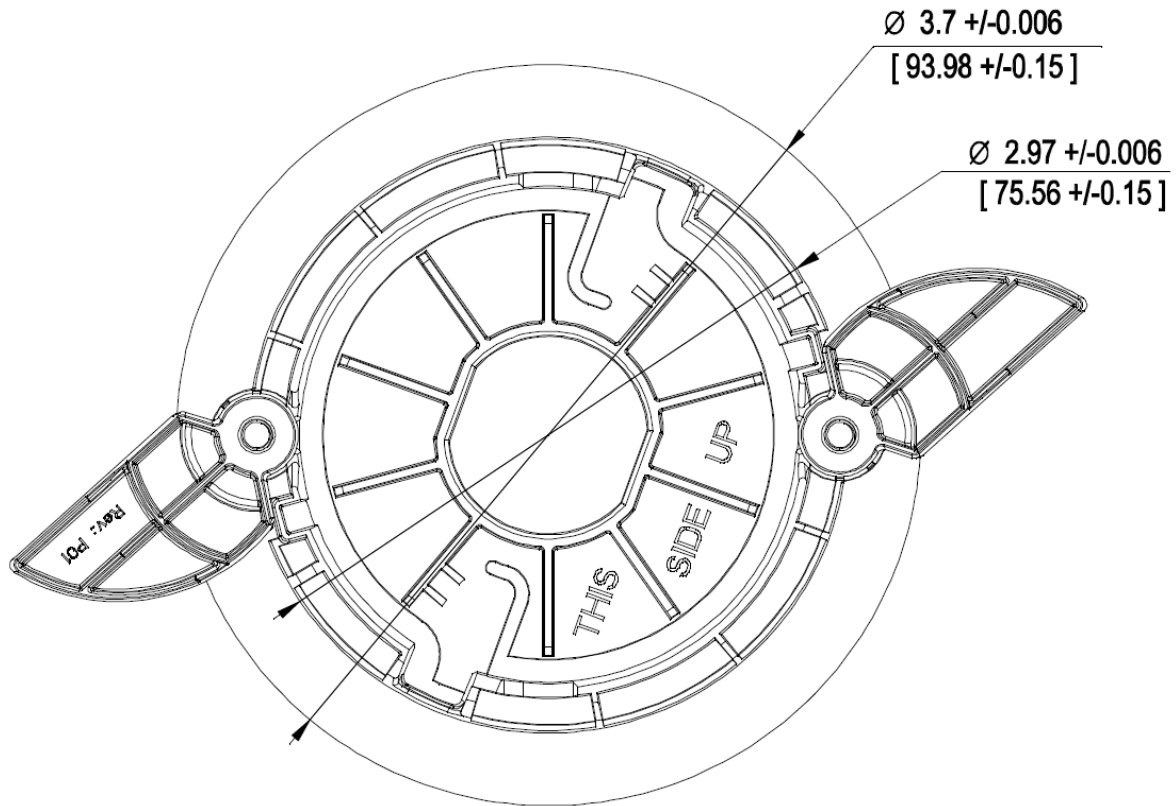
This document contains confidential and proprietary information of Pulse Electronics, Inc. (Pulse) and is protected by copyright, trade secret and other state and federal laws. Its receipt or possession does not convey any rights to reproduce, disclose its contents, or to manufacture, use or sell anything it may describe. Reproduction, disclosure or use without specific written authorization of Pulse is strictly forbidden.

**Description:** DAS Clarity Ceiling Mount Insert

**Series:** Accessory

**PART NUMBER:** : DASCLINSERT

**MECHANICAL DRAWING**



Issue: 1609 DRAFT RalfYe

In the effort to improve our products, we reserve the right to make changes judged to be necessary.

CONFIDENTIAL AND PROPRIETARY INFORMATION

This document contains confidential and proprietary information of Pulse Electronics, Inc. (Pulse) and is protected by copyright, trade secret and other state and federal laws. Its receipt or possession does not convey any rights to reproduce, disclose its contents, or to manufacture, use or sell anything it may describe. Reproduction, disclosure or use without specific written authorization of Pulse is strictly forbidden.

**Description:** DAS Clarity Ceiling Mount Insert

**Series:** Accessory

**PART NUMBER:** : DASCLINSERT

## PACKAGING

Individually bagged; 48 per carton but sold individually.

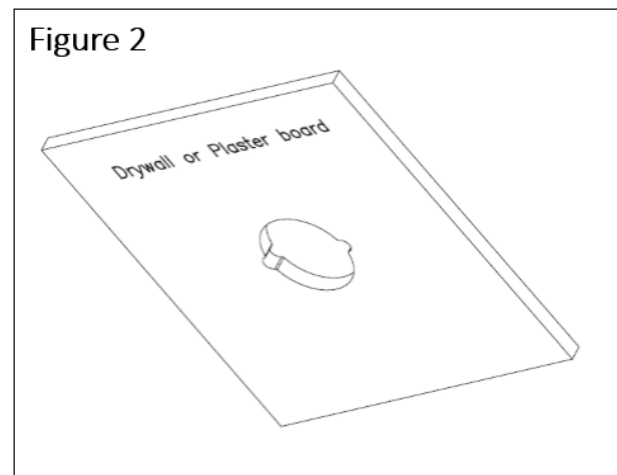
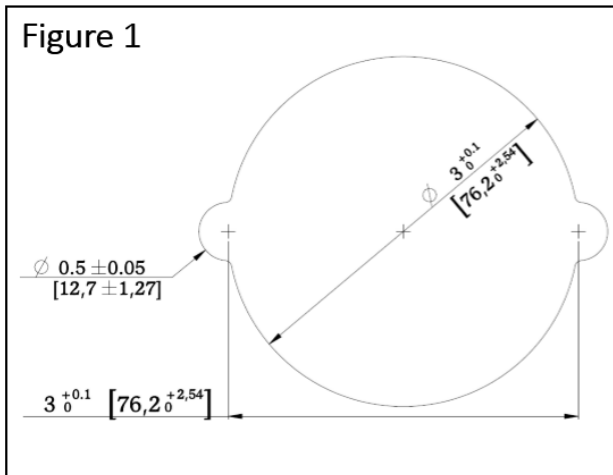
## ASSEMBLY

### INSTALLATION INSTRUCTION

#### Step 1,

Drill or cut a hole 3~3.1 inches (76.2~78.74 mm) in drywall with two 0.5 inch diameter tab cutouts 180° opposed. See Figure 1 and Figure 2.

**Drywall thickness range: 3/8 ~1 inch**



#### Step 2,

Check the two clamps can freely swing in and out by adjusting the screw's position. See Figure 3. Note: The clamps are limited in how far they can swing due to the side wall of the sleeve. (Shown as Figure 3)

**Screw Driver type: 2# PHILIPS DRIVE**  
**Torque < 3 lb-ft ( 4 Nm)**

Issue: 1609 DRAFT RalfYe

In the effort to improve our products, we reserve the right to make changes judged to be necessary.  
 CONFIDENTIAL AND PROPRIETARY INFORMATION

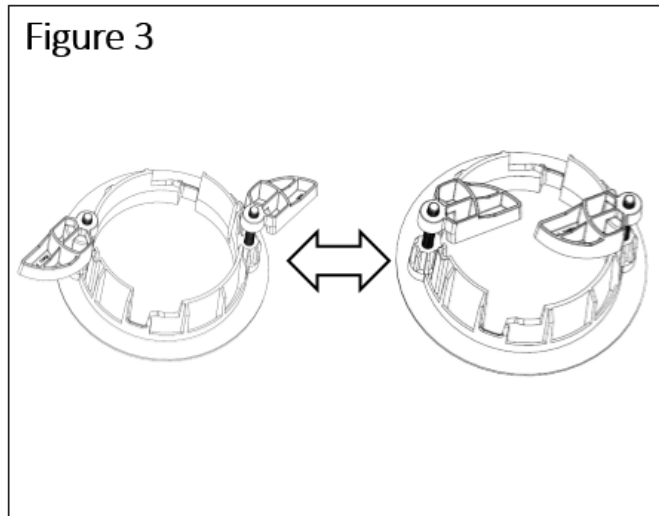
This document contains confidential and proprietary information of Pulse Electronics, Inc. (Pulse) and is protected by copyright, trade secret and other state and federal laws. Its receipt or possession does not convey any rights to reproduce, disclose its contents, or to manufacture, use or sell anything it may describe. Reproduction, disclosure or use without specific written authorization of Pulse is strictly forbidden.

**Description:** DAS Clarity Ceiling Mount Insert

**Series:** Accessory

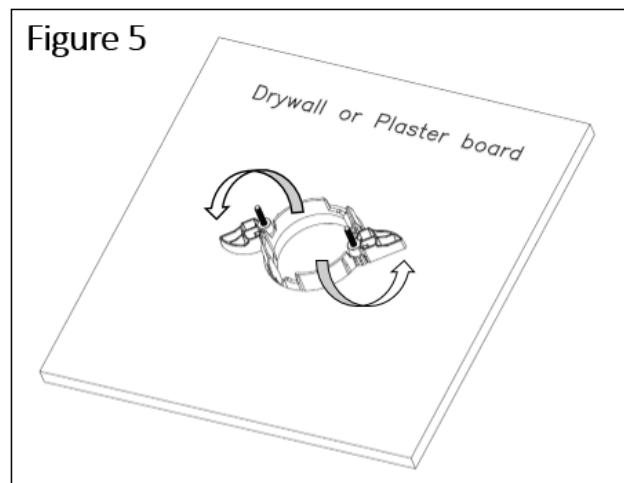
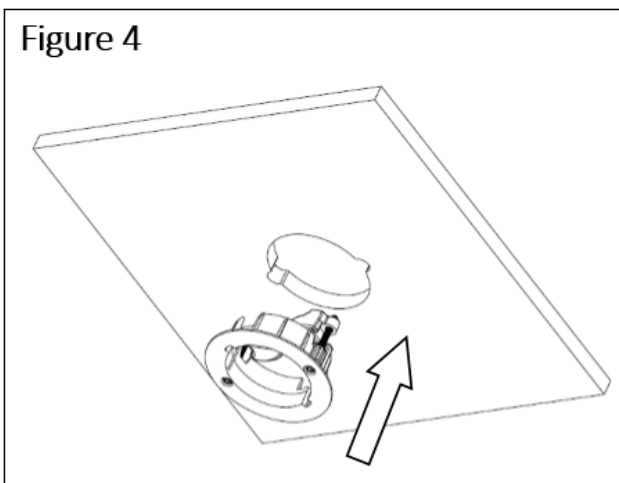
**PART NUMBER:** : DASCLINSERT

**ASSEMBLY**



**Step 3,**

Rotate the 2 clamps to the internal position, and insert mounting sleeve into the hole of drywall and tighten screws until snug. See Figure 4. The clamps will swing out and prevent extraction from the drywall. See Figure 5. The drywall will be clamped tightly by the sleeve assembly.



Issue: 1609 DRAFT RalfYe

In the effort to improve our products, we reserve the right to make changes judged to be necessary.  
CONFIDENTIAL AND PROPRIETARY INFORMATION

This document contains confidential and proprietary information of Pulse Electronics, Inc. (Pulse) and is protected by copyright, trade secret and other state and federal laws. Its receipt or possession does not convey any rights to reproduce, disclose its contents, or to manufacture, use or sell anything it may describe. Reproduction, disclosure or use without specific written authorization of Pulse is strictly forbidden.

**Description:** DAS Clarity Ceiling Mount Insert

**Series:** Accessory

**PART NUMBER:** : DASCLINSERT

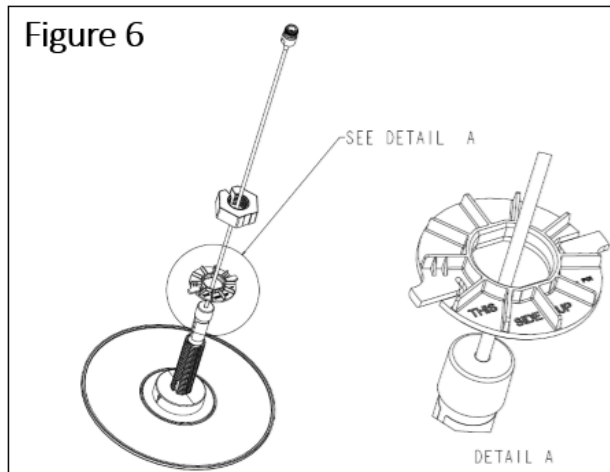
## ASSEMBLY

### Step 4,

Mount a tab ring onto the antenna and tighten nut firmly. See Figure 6.

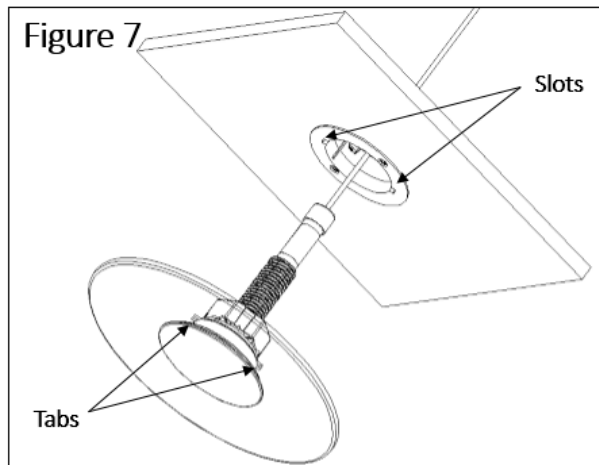
Notes:

1. The original collar in antenna assembly is not needed anymore.
2. Please pay attention the text "THIS SIDE UP" on the tab ring for the assembly direction.



### Step 5,

Align tab ring tabs with slots in mounting sleeve and insert antenna into mounting sleeve. See Figure 7.



Issue: 1609 DRAFT RalfYe

In the effort to improve our products, we reserve the right to make changes judged to be necessary.

CONFIDENTIAL AND PROPRIETARY INFORMATION

This document contains confidential and proprietary information of Pulse Electronics, Inc. (Pulse) and is protected by copyright, trade secret and other state and federal laws. Its receipt or possession does not convey any rights to reproduce, disclose its contents, or to manufacture, use or sell anything it may describe. Reproduction, disclosure or use without specific written authorization of Pulse is strictly forbidden.

**Description:** DAS Clarity Ceiling Mount Insert

**Series:** Accessory

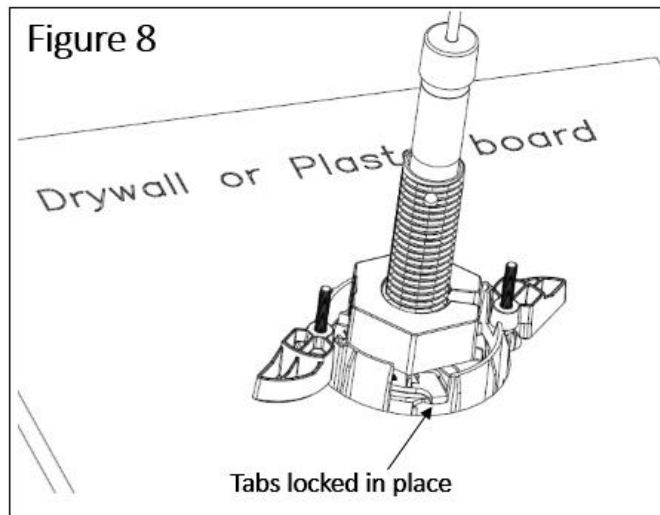
**PART NUMBER:** : DASCLINSERT

## ASSEMBLY

### Step 6,

Twist antenna clockwise 1/8th of a turn to lock in place. Antenna is now fixed in place. See Figure 8.

Note: Antenna is removable from mount sleeve without damage by rotating back 1/8 turn.





## X-ON Electronics

Largest Supplier of Electrical and Electronic Components

*Click to view similar products for [Antenna Accessories](#) category:*

*Click to view products by [Pulse](#) manufacturer:*

Other Similar products are found below :

[HKIT-MTA9101-001](#) [YMST4](#) [NMOHPCN518](#) [MB830](#) [MB825](#) [MB820](#) [GRO](#) [W9909](#) [HKIT-MTA9100-001](#) [HKIT-LPx-001](#) [GPS-17519](#)  
[MABT8M](#) [KH-IPEX3-0.81](#) [HJ-IPEX1-1.13-SMA-L=100mm](#) [3C0224M01-003](#) [KHA\(RG1.37\)-TX300B-IPEX](#) [KHA\(RG1.37\)-TX80B-IPEX](#)  
[KHA\(RG1.37\)-TX140B-IPEX](#) [KH-IPEXA-SMAKWE-B060H](#) [KHA\(RG1.37\)-TX90B-IPEX](#) [KH-IPEX-SMA-RG137-120MM](#) [KH-SMAKW-](#)  
[IPEX4-RG1.13-B300](#) [KH-SMAKW-IPEX4-RG0.81-B90](#) [KH-SMAKW-IPEX4-RG1.37-B80](#) [KH-SMAKW-IPEX4-RG1.37-B160](#) [KH-](#)  
[SMAKW-IPEX-RG0.81-B70](#) [KH-SMAKW-IPEX-RG0.81-B140](#) [KHA-\(RG1.13\)-TX120-IPEX-221](#) [KHA\(RG1.37\)-TX70B-IPEX](#) [KH-](#)  
[SMAKW-IPEX-RG1.78-250](#) [KH-SMAKW-IPEX4-RG0.81-B200](#) [KH-SMAKW-IPEX4-RG1.13-B70](#) [KH-SMAKW-IPEX4-RG1.37-B90](#) [KH-](#)  
[SMAJ-221-RG1.78-160](#) [KH-SMAJ-IPEX-RG1.37-B70](#) [KH-SMAJ-IPEX-RG1.37-B60](#) [KH-FL2SMAK-IPEX3-RG0.81-B160](#) [KH-FL2SMAK-](#)  
[IPEX4-RG0.81-B100](#) [KH-FL2SMAK-IPEX-RG1.13-B70](#) [KH-FL2SMAK-IPEX4-RG1.13-B90](#) [KH-FL2SMAK-IPEX-RG1.37-B60](#) [KH-](#)  
[FL2SMAK-IPEX-RG1.37-B120](#) [KH-FL2SMAK-IPEX4-RG1.37-B80](#) [KH-FL2SMAK-IPEX4-RG1.37-B160](#) [KH-FL2SMAK-IPEX-RG178-](#)  
[100](#) [KH-FL2SMAK-IPEX-RG178-200](#) [KH-SMAJ-221-RG1.13-B70](#) [KH-SMAJ-221-RG1.37-B90](#) [KH-FL2SMAK-IPEX-RG0.81-B50](#) [KH-](#)  
[FL2SMAK-IPEX3-RG0.81-B300](#)