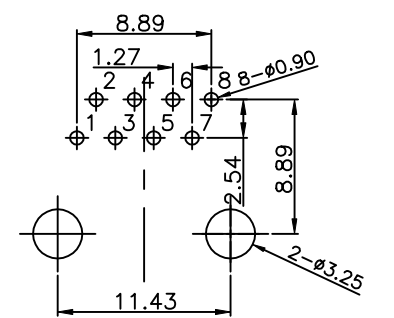
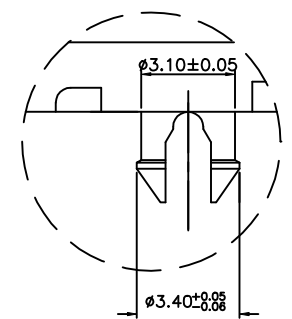
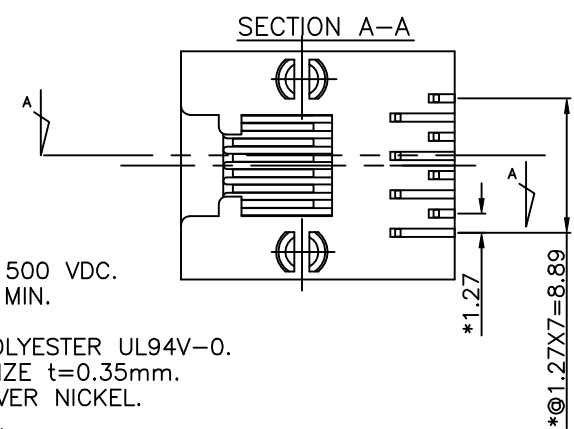
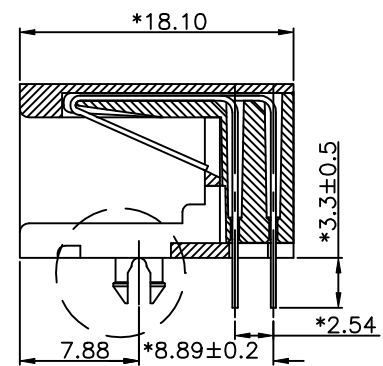
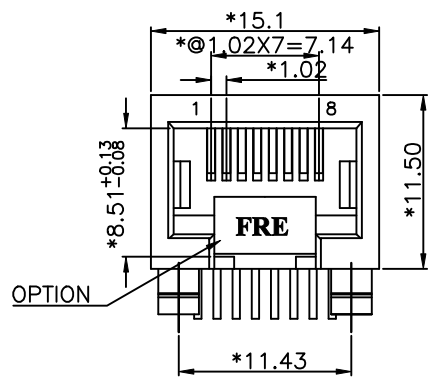


| REVISION RECORD | | | | |
|-----------------|-----|--------------|----------------|------|
| REV | ECO | DESCRIPTION | DRFT | CHKD |
| 1 | | NOTES MODIFY | Among 11/08/04 | |



PCB T=1.60mm
PC BOARD LAYOUT COMPONENT SIDE SHOWN

NOTES:

ELECTRICAL:

- VOLTAGE RATING : 125 VAC RMS.
- CURRENT RATING : 1.5 AMP.
- CONTACT RESISTANCE : 35 MILLIOHMS MAX.
- INSULATION RESISTANCE: 1000 MEGOHMS MIN @ 500 VDC.
- DIELECTRIC STRENGTH : 1000 VAC RMS 60Hz, 1MIN.

MECHANICAL:

- HOUSING MATERIAL : GLASS FILLED POLYESTER UL94V-0.
- CONTACT MATERIAL : PHOSPHOR BRONZE t=0.35mm.
- PLATING : GOLD PLATING OVER NICKEL.
- OPERATING LIFE : 750 CYCLES MIN.
- PCB RETENTION PRE-SOLDER : 1 LB MIN.
- PCB RETENTION POST-SOLDER: 10 LBS MIN.

ENVIRONMENTAL:

- STORAGE : -40°C TO +85°C.
 - OPERATION: -40°C TO +85°C.
- MATES WITH MODULAR PLUG CONFORMING TO
FCC PART 68, SUBPART F.

CUL FILE NO. E163191

PART NUMBER: E538X-E002XX-L

| NO OF CONTACT: | 1- 3u" | 2- 6u" |
|----------------|--------------|-----------|
| 2- 2C | 3-15u" | 4-30u" |
| 4- 4C | 5-50u" | 6-Pd 20u" |
| 6- 6C | 1-W/FRE LOGO | |
| 8- 8C | R-W/O LOGO | |

| MM (INCH) | | DFTO SAMMY | DATE 06/22/04 |
|----------------------------|--------|----------------------|----------------|
| TOLERANCES EXCEPT AS NOTED | | CHKD SAMMY | DATE2004/11/16 |
| | | MFO | DATE |
| MM | | APPV LUSHENG | DATE2004/11/17 |
| .0 | ±0.20 | MATERIAL : | |
| .00 | ±0.15 | QT'Y : | |
| .000 | ±0.075 | FINISH : | |
| ANGLES ± | | SCALE : | |
| THIRD ANGLE PROJECTION | | DO NOT SCALE DRAWING | |

| | | | |
|--|--|------|-----|
| FULL RISE ELECTRONIC CO., LTD | | | |
| TITLE 11.5 SIDE ENTRY 8P FCC DEEP TYPE(LEAD_FREE) | | | |
| DRAWING NO. GE533096 | | SIZE | REV |
| /PART NO. SEE NOTE | | A3 | 1 |
| SHEET X | | OF Y | |

X-ON Electronics

Largest Supplier of Electrical and Electronic Components

Click to view similar products for [Modular Connectors](#) / [Ethernet Connectors](#) category:

Click to view products by [Pulse manufacturer](#):

Other Similar products are found below :

[8949-H88/06BLKA/SN](#) [74441-0010/BKN](#) [PHP-6P6C-5](#) [GAX-3-66](#) [GAX-8-62](#) [GDCX-PN-66](#) [GLX-A-44](#) [GLX-N-1010M-BLK](#) [GMX-SMT4-N-88](#) [GSGX-N-2-88](#) [GSGX-N-4-88](#) [GSX-NS2-88-3.05](#) [GSX-NS-88-3.68](#) [PT-108A-8C-UL](#) [PTS-J531-8CS-50UL](#) [A-2014-0-4](#)
[GWLX-S9-88-YG](#) [DC-1021-8-WH-6](#) [1300530003](#) [1324640-4](#) [RJ11FTVC2G](#) [RJ11FTVC2N](#) [RJFTVX2SA1G](#) [132764-001](#) [1413235](#)
[MPS88RX-5000](#) [E5288-S000K3-L](#) [155302-001](#) [AX101050](#) [AX101063](#) [AX101065](#) [AX101072](#) [AX101307](#) [AX101315](#) [AX101318](#)
[AX102271](#) [AX102288](#) [AX102651](#) [AX102660](#) [AX104024](#) [J0012D21NL](#) [J0026D01ENL](#) [PC4D0018P](#) [8949-B88/6](#) [2-6609208-5](#) [937-SP-3088-2PC-A192](#) [303066VFL](#) [303068V](#) [303088LFLSA](#) [303088SBL](#)