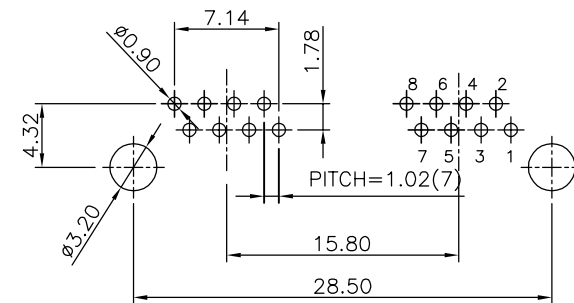
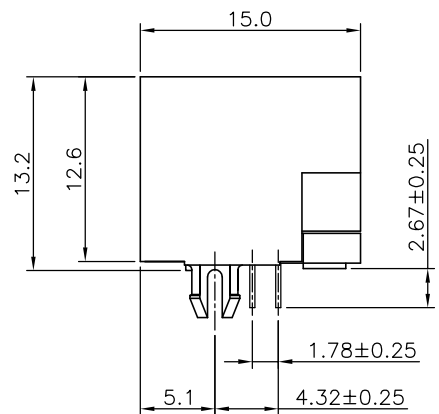
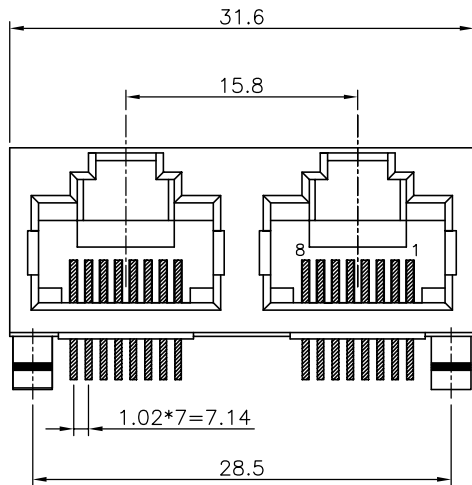


REVISION RECORD		
REV	DESCRIPTION	DRFT



PC BOARD LAYOUT T=1.60mm  
 COMPONENT SIDE SHOWN  
 TOLERANCES±0.05mm

**NOTES:**

ELECTRICAL:

- VOLTAGE RATING : 125 VAC RMS.
- CURRENT RATING : 1.5 AMP.
- CONTACT RESISTANCE : 40 MILLIOHMS MAX.
- INSULATION RESISTANCE : 1000 MEGOHMS MIN @ 500 VDC.
- DIELECTRIC STRENGTH : 1000 VDC RMS 60Hz, 1MIN.
- OPERATING : 750 CYCLES MIN.

MECHANICAL:

- HOUSING MATERIAL : GLASS FIBER FILLED NYLON, UL94V-0\BLACK.
- INSERT MATERIAL : GLASS FIBER FILLED NYLON, UL94V-0\BLACK.
- BACK PLATE MATERIAL : GLASS FIBER FILLED NYLON, UL94V-0\BLACK.
- CONTACT MATERIAL : PHOSPHOR BRONZE 0.35mm THICKNESS.
- PLATING : GOLD PLATING OVER NICKEL.
- PCB RETENTION PRE-SOLDER : 1 LB MIN.
- PCB RETENTION POST-SOLDER: 10 LBS MIN.

ENVIRONMENTAL:

- STORAGE : -40°C TO +85°C.
- OPERATION: -40°C TO +85°C.
- WAVE SOLDERING TEMPERATURE: 255°C~265°C (5~10 SECONDS)

MATES WITH MODULAR PLUG CONFORMING TO  
 FCC PART 68, SUBPART F.  
 CUL FILE NO. E163191

E5J88-00AJG2-L	6u"
PART NO.	Au PLATING

DETACHED LISTS	MM (INCH)		<b>RoHS Compliant</b>		<b>Pulse Electronics</b>	
	TOLERANCES EXCEPT AS NOTED					
	MM			TITLE		
	.0 ± 0.25		±	RJ45 TWO PORT SIDE ENTRY JACK		
.00 ± 0.20		±	DFTO : ELLA			
.000 ± 0.10		±	DATE : 09/24/2012			
ANGLES ± 1'			DRAWING NO. CE5J88-00AJGX-L		SIZE	REV
THIRD ANGLE PROJECTION			/PART NO. E5J88-00AJG2-L		A3	0
SCALE : 5:2			DO NOT SCALE DRAWING		SHEET	1 OF 1

## X-ON Electronics

Largest Supplier of Electrical and Electronic Components

*Click to view similar products for [Modular Connectors / Ethernet Connectors](#) category:*

*Click to view products by [Pulse manufacturer](#):*

Other Similar products are found below :

[8949-H88/06BLKA/SN](#) [74441-0010/BKN](#) [MP1010RX-1000](#) [MP44RX-1000](#) [PHJ-4P4C-1-V-4](#) [PHP-6P6C-5](#) [GAX-3-66](#) [GAX-8-62](#) [GDCX-PA-66-50](#) [GDCX-PN-64](#) [GDCX-PN-66](#) [GDCX-PN-66-50](#) [GDLX-A-66](#) [GDLX-N-66](#) [GDLX-S-66](#) [GDLX-S-88K](#) [GDTX-S-88-50](#) [GDX-PA-1010](#) [GLX-N-1010M-BLK](#) [GLX-S-88M-BLK](#) [GMX-N-1010](#) [GMX-S-1010](#) [GMX-S-66](#) [GMX-SMT4-N-88](#) [GPX-2-64](#) [GSGX-N-2-88](#) [GSGX-N-4-88](#) [GSX-NS2-88-3.05](#) [GSX-NS2-88-3.05-50](#) [GSX-NS-88-3.05-50](#) [PT-108A-8C-UL](#) [PT-J951-8C](#) [PTS-J531-8CS-50UL](#) [1-1775629-2](#) [A-2014-0-4](#) [GWLX-S-88-GR](#) [GWLX-S9-88-YG](#) [DC-1021-8-WH-6](#) [1300530003](#) [1324640-4](#) [RJ11FTVC2G](#) [RJ11FTVC2N](#) [RJFTVX2SA1G](#) [132764-001](#) [1413235](#) [MP88X-1000](#) [MPS88RX-5000](#) [E5288-S000K3-L](#) [E5908-15A242-L](#) [155302-001](#)