

PC Board Layout t=1.60mm
Component Side Shown Tolerance±0.05mm

NOTES:

ELECTRICAL:

1. VOLTAGE RATING : 125 VAC RMS.
2. CURRENT RATING : 1.5 AMP.
3. CONTACT RESISTANCE : 30 MILLIOHMS MAX.
4. INSULATION RESISTANCE: 1000 MEGOHMS MIN @ 500 VDC.
5. DIELECTRIC STRENGTH : 1000 VAC RMS 60Hz, 1MIN.
6. LED RATINGS: FORWARD VOLTAGE: 2.2 VOLTS TYPICAL.
REVERSE VOLTAGE: 5 VOLTS MINIMUM.
7. OPERATING: 750 CYCLES MIN.

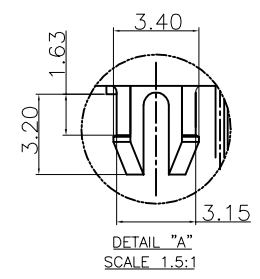
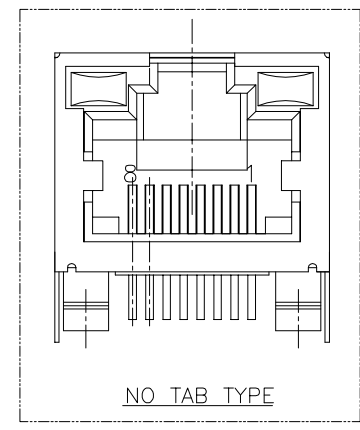
MECHANICAL:

1. HOUSING MATERIAL : GLASS FILLED NYLON UL94-0 COLOR-BLACK
2. INSERT MATERIAL : GLASS FILLED NYLON UL94-0 COLOR-BLACK
3. BACK PLATE MATERIAL : GLASS FILLED NYLON UL94-0 COLOR-BLACK
4. LED SIZE : 3.2*2.0*7.0*P=2.54mm.
5. SHIELD MATERIAL : GOLD PLATING OVER NICKEL.
6. CONTACT MATERIAL : COPPER ALLOY 0.25mm THICKNESS PLATING NI.
7. PLATING : PHOSPHOR BRONZE 0.35mm THICKNESS OR Ø0.46mm.
8. PCB RETENTION PRE-SOLDER : 1 LB MIN.
9. PCB RETENTION POST-SOLDER: 10 LBS MIN.

ENVIRONMENTAL:

1. STORAGE TEMPERATURE : -40°C TO +85°C.
2. OPERATION TEMPERATURE: -40°C TO +85°C.
3. WAVE SOLDERING TEMPERATURE: 255~265° (5~10 SECONDS)
4. RoHS COMPLIANT.

MATES WITH MODULAR PLUG CONFORMING TO
FCC PART 68, SUBPART F.
CUL FILE No:E163191



PART NUMBER	LED COLOR		TAB	GOLD PLATING
	LED 1	LED 2		
E5J88-11LJ22-L	GREEN	YELLOW	NO TAB	6u"
E5J88-14LJ22-L	GREEN	YELLOW	TOP TABS & SIDE TABS	6u"
E5J88-14LJ23-L	GREEN	YELLOW	TOP TABS & SIDE TABS	15u"
E5J88-21LJ22-L	GREEN	GREEN	NO TAB	6u"
E5J88-31LJ22-L	YELLOW	GREEN	NO TAB	6u"
E5J88-31LJ23-L	YELLOW	GREEN	NO TAB	15u"
E5J88-34LJ22-L	YELLOW	GREEN	TOP TABS & SIDE TABS	6u"
E5J88-34LJ23-L	YELLOW	GREEN	TOP TABS & SIDE TABS	15u"
E5J88-54LJ22-L	RED	GREEN	TOP TABS & SIDE TABS	6u"

DETACHED LISTS	← MM (INCH) →	RoHS Compliant			
	TOLERANCES EXCEPT AS NOTED				
	MM .0 ± 0.2 .00 ± 0.15 .000 ± 0.075 ANGLES ± 0.5	TITLE RJ45 SIDE ENTRY LED JACK	DFTO Cathy	DRAWING NO. CE5J3015-LA	SIZE A3
	THIRD ANGLE PROJECTION	DATE 2006/09/20	/PART NO. SEE TABLE	DO NOT SCALE DRAWING	SHEET 1 OF 1

X-ON Electronics

Largest Supplier of Electrical and Electronic Components

Click to view similar products for [Modular Connectors](#) / [Ethernet Connectors](#) category:

Click to view products by [Pulse manufacturer](#):

Other Similar products are found below :

[8949-H88/06BLKA/SN](#) [74441-0010/BKN](#) [PHP-6P6C-5](#) [GAX-3-66](#) [GAX-8-62](#) [GDCX-PN-66](#) [GLX-A-44](#) [GLX-N-1010M-BLK](#) [GMX-SMT4-N-88](#) [GSGX-N-2-88](#) [GSGX-N-4-88](#) [GSX-NS2-88-3.05](#) [GSX-NS-88-3.68](#) [PT-108A-8C-UL](#) [PTS-J531-8CS-50UL](#) [A-2014-0-4](#) [GWLX-S9-88-YG](#) [DC-1021-8-WH-6](#) [1300530003](#) [1324640-4](#) [RJ11FTVC2G](#) [RJ11FTVC2N](#) [RJFTVX2SA1G](#) [132764-001](#) [1413235](#) [MPS88RX-5000](#) [E5288-S000K3-L](#) [155302-001](#) [AX101050](#) [AX101063](#) [AX101065](#) [AX101072](#) [AX101307](#) [AX101315](#) [AX101318](#) [AX102271](#) [AX102288](#) [AX102651](#) [AX102660](#) [J0012D21NL](#) [J0026D01ENL](#) [PC4D0018P](#) [8949-B88/6](#) [2-6609208-5](#) [937-SP-3088-2PC-A192](#) [303066VFL](#) [303068V](#) [303088LFLSA](#) [303088SBL](#) [30-8603](#)