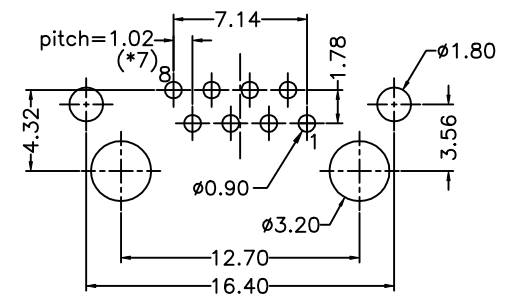
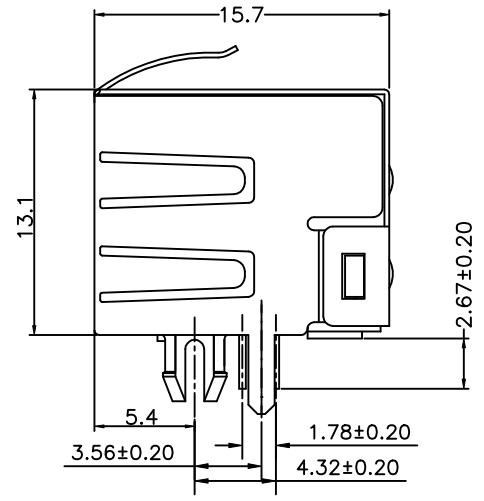
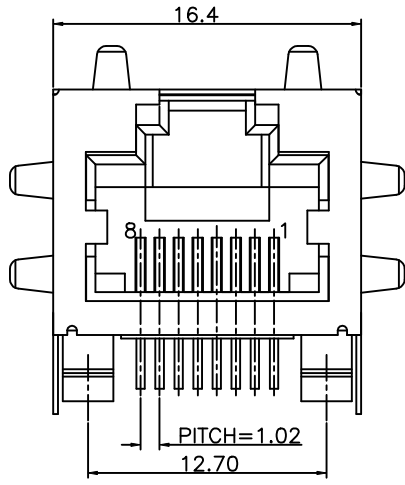


REVISION RECORD				
REV	ECO	DESCRIPTION	DRFT	CHKD



PCB (t=1.60mm) Layout  
Component Side Shown

**NOTES:**

**ELECTRICAL:**

- 1. VOLTAGE RATING : 125 VAC RMS.
- 2. CURRENT RATING : 1.5 AMP.
- 3. CONTACT RESISTANCE : 30 MILLIOHMS MAX.
- 4. INSULATION RESISTANCE: 1000 MEGOHMS MIN @ 500 VDC.
- 5. DIELECTRIC STRENGTH : 1000 VAC RMS 60Hz, 1MIN.
- 6. OPERATING: 750 CYCLES MIN.

**MECHANICAL:**

- 1. HOUSING MATERIAL : FR52 UL94V-0. COLOR-BLACK.
- 2. INSERT MATERIAL : FR52 UL94V-0. COLOR-BLACK.
- 3. BACK PLATE MATERIAL : FR52 COLOR-BLACK.
- 4. SHIELD MATERIAL : COPPER ALLOY 0.25mm THICKNESS PLATING NI.
- 5. CONTACT MATERIAL : PHOSPHOR BRONZE 0.35mm THICKNESS OR  $\phi 0.46$ mm.LEAD FREE.
- 6. PLATING : GOLD PLATING OVER NICKEL.
- 7. PCB RETENTION PRE-SOLDER : 1 LB MIN.
- 8. PCB RETENTION POST-SOLDER: 10 LBS MIN.

**ENVIRONMENTAL:**

- 1. STORAGE : -40°C TO +85°C.
  - 2. OPERATION: 0°C TO 70°C.
  - 3. WAVE SOLDERING TEMPERATURE:255~265\*(5~10 SECONDS)
- MATES WITH MODULAR PLUG CONFORMING TO  
FCC PART 68, SUBPART F.  
CUL FILE NO. E163191

ROHS PART NUMBER: E 5J 8 8 - X X L X X X -L

0-NO.LED  
6-HS'G&SHIELD NO LED

0-W/O SHIELD 1-NO TAB  
2-TOP TABS. 3-SIDE TABS.  
4-TOP TABS & SIDE TABS.

PLATING:1-3u" 2-6u" 3-15u"  
4-30u" 5-50u"  
A-TIN SHIELD STAMPED PIN  
B-NI SHIELD STAMPED PIN  
F-NI SHIELD ROUND PIN ( $\phi 0.46$ )  
J- FR52(A05-0130)  
5-W/O LOGO W/O TINNED SHIELD LEDS

DETACHED LISTS	MM (INCH)		DFTO yanglan DATE 05/20/05
	TOLERANCES EXCEPT AS NOTED		CHKD JAKE DATE 2005/5/20
	MM	±	MFO DATE
	.0 ± 0.20	±	APPVLLUSHENG DATE 2005/5/20
	.00 ± 0.15	±	MATERIAL :
.000 ± 0.075	±	ANGLES ±	QTY :
THIRD ANGLE PROJECTION		FINISH :	SCALE :

FULL RISE ELECTRONIC CO., LTD			
TITLE			
RJ45 W/O LED JACK			
DRAWING NO. GE5J3A11-LA		SIZE	REV
/PART NO. SEE NOTE		A3	0
DO NOT SCALE DRAWING		SHEET 1	OF 1

## X-ON Electronics

Largest Supplier of Electrical and Electronic Components

*Click to view similar products for [Modular Connectors](#) / [Ethernet Connectors](#) category:*

*Click to view products by [Pulse manufacturer](#):*

Other Similar products are found below :

[8949-H88/06BLKA/SN](#) [74441-0010/BKN](#) [PHP-6P6C-5](#) [GAX-3-66](#) [GAX-8-62](#) [GDCX-PN-66](#) [GLX-A-44](#) [GLX-N-1010M-BLK](#) [GMX-SMT4-N-88](#) [GSGX-N-2-88](#) [GSGX-N-4-88](#) [GSX-NS2-88-3.05](#) [GSX-NS-88-3.68](#) [PT-108A-8C-UL](#) [PTS-J531-8CS-50UL](#) [A-2014-0-4](#)  
[GWLX-S9-88-YG](#) [DC-1021-8-WH-6](#) [1300530003](#) [1324640-4](#) [RJ11FTVC2G](#) [RJ11FTVC2N](#) [RJFTVX2SA1G](#) [132764-001](#) [1413235](#)  
[MPS88RX-5000](#) [E5288-S000K3-L](#) [155302-001](#) [AX101050](#) [AX101063](#) [AX101065](#) [AX101072](#) [AX101307](#) [AX101315](#) [AX101318](#)  
[AX102271](#) [AX102288](#) [AX102651](#) [AX102660](#) [J0012D21NL](#) [J0026D01ENL](#) [PC4D0018P](#) [8949-B88/6](#) [2-6609208-5](#) [937-SP-3088-2PC-A192](#)  
[303066VFL](#) [303068V](#) [303088LFLSA](#) [303088SBL](#) [30-8603](#)