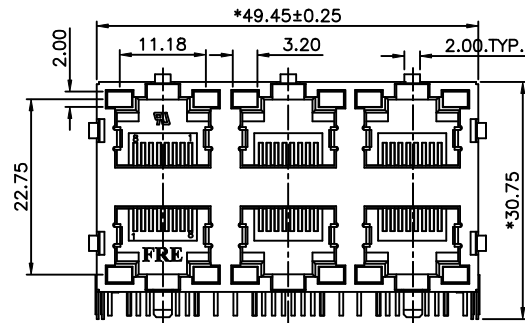
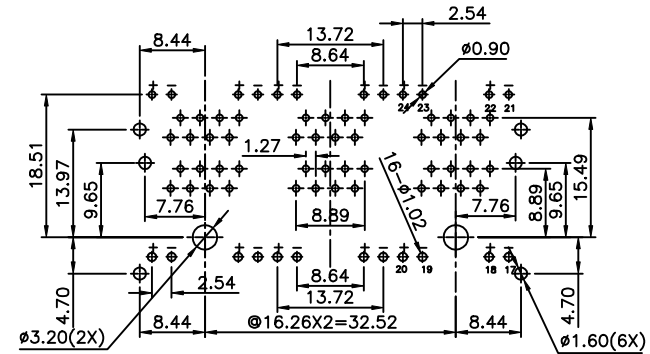
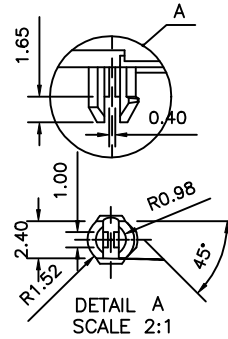
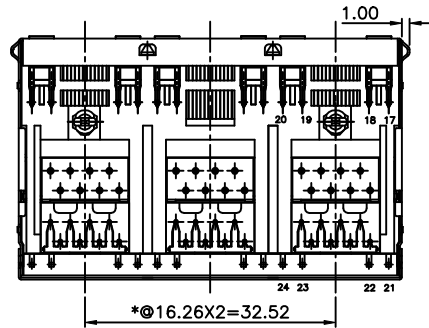
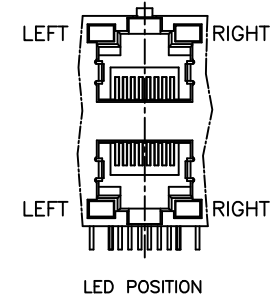
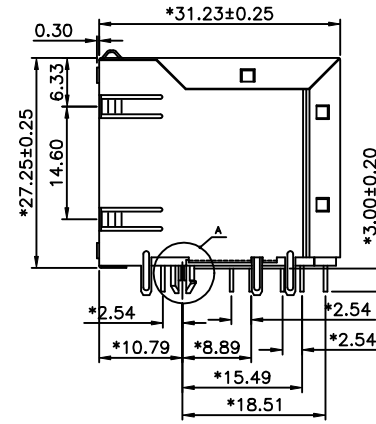


REVISION RECORD				
REV	ECO	DESCRIPTION	DRFT	CHKD



GREEN GREEN
 12 10 10 10
 RED RED
 GREEN GREEN
 12 10 10 10
 RED RED
 FOR P/N: E5J88-D4BHF-X-L



PC Board Layout
 Component Side Shown

NOTES:

ELECTRICAL:

- VOLTAGE RATING : 125 VAC RMS.
- CURRENT RATING : 1.5 AMP.
- CONTACT RESISTANCE : 35 MILLIOHMS MAX.
- INSULATION RESISTANCE: 1000 MEGOHMS MIN @ 500 VDC.
- DIELECTRIC STRENGTH : 1000 VAC RMS 60HZ, 1MIN.

MECHANICAL:

- HOUSING MATERIAL : PBT+30%G.F UL94V-0.
- CONTACT MATERIAL : PHOSPHOR BRONZE Ø0.46mm
- CONTACT PLATING : GOLD PLATING OVER NICKLE
- SHIELD PLATING : NICKEL PLATING OVER BRASS
- OPERATING LIFE : 750 CYCLES MIN.
- PCB RETENTION PRE-SOLDER : 1 LB MIN.
- PCB RETENTION POST-SOLDER: 10 LBS MIN.
- LED COLOR : GREEN

ENVIRONMENTAL:

- STORAGE : -40°C TO +85°C.
- OPERATION: -40°C TO +85°C.
- WAVE SOLDERING TEMPERATURE: 230~250°(3~5 SECONDS)

MATES WITH MODULAR PLUG CONFORMING TO
 FCC PART 68, SUBPART F.

RoHS PART NUMBER: E5J88-X4B2FX-L

- A-LEFT LED:G RIGHT LED:G Gold Thickness:
 B-LEFT LED:G RIGHT LED:O 1- 3u" 2- 6u" 3-15u"
 C-LEFT LED:G RIGHT LED:Y 4-30u" 5-50u"
 D-LEFT LED:G+R RIGHT LED:G+R

DETACHED LISTS	MM (INCH)	DFTO Jake	DATE 10/19/05'
	TOLERANCES EXCEPT AS NOTED	CHKD ANNE	DATE 2005/10/20
	MM	MFO	DATE
	APPLV LUBENGO	DATE 2005/10/20	
ANGLES ±	QT'Y :	MATERIAL :	
THIRD ANGLE PROJECTION	FINISH :	SCALE : 5:3	

FULL RISE ELECTRONIC CO., LTD			
TITLE RJ45(LED) STACKED GANGED JACK, 2X3			
DRAWING NO. GE5J3035-LC		SIZE A3	REV 0
/PART NO. SEE NOTE		10/19/05'	
DO NOT SCALE DRAWING		SHEET 1	OF 1

X-ON Electronics

Largest Supplier of Electrical and Electronic Components

Click to view similar products for [Modular Connectors](#) / [Ethernet Connectors](#) category:

Click to view products by [Pulse manufacturer](#):

Other Similar products are found below :

[8949-H88/06BLKA/SN](#) [74441-0010/BKN](#) [PHP-6P6C-5](#) [GAX-3-66](#) [GAX-8-62](#) [GDCX-PN-66](#) [GLX-A-44](#) [GLX-N-1010M-BLK](#) [GMX-SMT4-N-88](#) [GSGX-N-2-88](#) [GSGX-N-4-88](#) [GSX-NS2-88-3.05](#) [GSX-NS-88-3.68](#) [PT-108A-8C-UL](#) [PTS-J531-8CS-50UL](#) [A-2014-0-4](#) [GWLX-S9-88-YG](#) [DC-1021-8-WH-6](#) [1300530003](#) [1324640-4](#) [RJ11FTVC2G](#) [RJ11FTVC2N](#) [RJFTVX2SA1G](#) [132764-001](#) [1413235](#) [MPS88RX-5000](#) [E5288-S000K3-L](#) [155302-001](#) [AX101050](#) [AX101063](#) [AX101065](#) [AX101072](#) [AX101307](#) [AX101315](#) [AX101318](#) [AX102271](#) [AX102288](#) [AX102651](#) [AX102660](#) [AX104024](#) [J0012D21NL](#) [J0026D01ENL](#) [PC4D0018P](#) [8949-B88/6](#) [2-6609208-5](#) [937-SP-3088-2PC-A192](#) [303066VFL](#) [303068V](#) [303088LFLSA](#) [303088SBL](#)