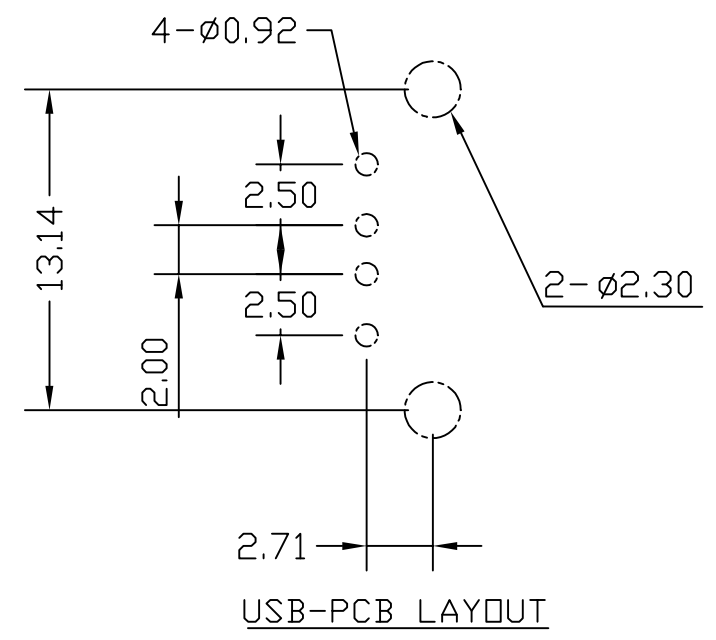
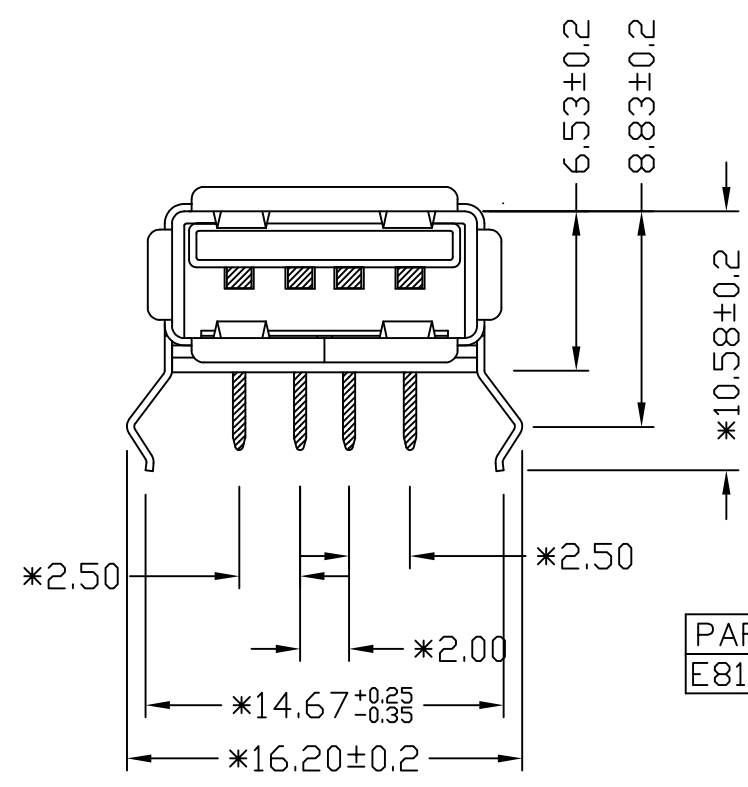
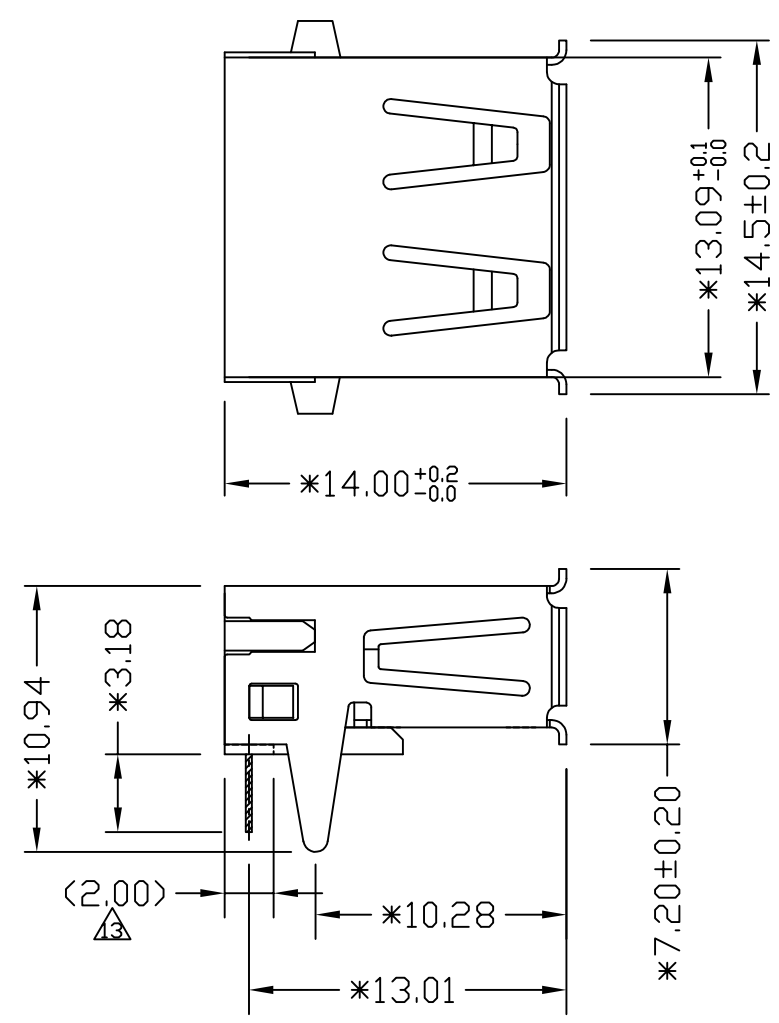


REVISION RECORD		
REV	DESCRIPTION	DRFT
13	CREATE A STAND OFF	Royzuo 09/27/13



PART NUMBER	REV	SHIELD MATERIAL	PLATING	DESCRIPTION	GOLD
E8144-A01321-L	B	COPPER ALLOY	NICKEL	PBT+15% WHITE	3u''

NOTES:

- 1.MATERIAL:  
 TERMINAL-C5191 PHOSPHOR BRONZE HARD. (t=0.25mm)  
 SHIELD-COPPER ALLOY(t=0.30mm)  
 HOUSING-PBT+GF30% OR NYLON+GF25% UL94V-0.  
 COLOR-WHITE & BLACK & BLUE.
- 2.PLATING:  
 CONTACT-AREA-SELECTIVE PLATING. ON THE MATING END.  
 TAILS-PLATED TIN OVER NICKEL.  
 SHIELD-PLATED TIN OVER NICKEL  
 OR PLATED NICKEL OVER Cu.
- 3.TOLERANCE: ±0.3mm,±3°.
- 4.GAP. 0.25mm (Max.)
- 5.ELECTRICAL:  
 VOLTAGE RATING: 30 VAC RMS.  
 CURRENT RATING: 1.0 AMP  
 CONTACT RESISTANCE: 30 MILLIOHMS MAX  
 INSULATION RESISTANCE: 1000 MEGOHMS MIN @500 VDC  
 DIELECTRIC STRENGTH: 750 VAC RMS 60 HZ, 1 MIN  
 OPERATING LIFE: 1500 CYCLES MIN  
 MATING FORCE: 3.5 KGS MAX  
 UNMATING FORE: 1 KGS MIN  
 STORAGE: -40°C TO +85°C  
 OPERATION: -40°C TO +85°C  
 CAPACITANCE: 2 PF MAX 1KHZ  
 WAVE SOLDERING TEMPERTURE:230°C TO 250°C 3-5 SECCONDS.  
 RoHS COMPLIANT  
 OLD DRAWING NUMBER:GE813A01-LC

DETACHED LISTS			DFTD Jerry	DATE 5/10/99		<b>RoHS Compliant</b>
	TOLERANCES EXCEPT AS NOTED		CHKD Sky	DATE 11/21/08		
	MM		APPVLLUSHENG	DATE 11/21/08	TITLE USB SERIES A, 4-POSITION DIP TYPE	
	.0 ± 0.20	±	MATERIAL :			
.00 ± 0.15	±	QT'Y :		DRAWING NO. E8144-AXXX2X-L	SIZE A3	REV 13
.000 ± 0.075	±	FINISH :		/PART NO. E8144-AXXX2X-L		
ANGLES ± 0.5°		SCALE : 3:1		DO NOT SCALE DRAWING		SHEET 1 OF 1
		THIRD ANGLE PROJECTION				

## X-ON Electronics

Largest Supplier of Electrical and Electronic Components

*Click to view similar products for [USB Connectors](#) category:*

*Click to view products by [Pulse manufacturer](#):*

Other Similar products are found below :

[950](#) [A-USB A-LP-SMT-C](#) [A-USB B-TOP-C](#) [MUSBD11135](#) [17-200721](#) [217450-1](#) [KMBVX-TH-5S-B30](#) [KUSBX-AS2N-W](#) [KUSBX-SMT2AP1S-W30](#) [935](#) [957](#) [30-498-6](#) [SK-60A-2](#) [1734082-1](#) [30-470](#) [30-489](#) [30-541](#) [MIKROE-1451](#) [USBFTVSCCG](#) [1-1734084-2](#)  
[10135326-001LF](#) [USB3FTV7APEG](#) [4198](#) [1310-1023-02](#) [690-024-633-031](#) [UB-20PMFP-LC7001](#) [17-200011](#) [UB-20AFMM-LL7A01](#)  
[1040870124](#) [CAP-WCCMLPB1](#) [2274475-3](#) [UB-20BMFA-SL8001](#) [UB-20BFM-SA7A02](#) [UB-20BFM-SA7A05](#) [914-614A2025S10200](#)  
[MUSBR-AHD2-M41-SK](#) [ZX40-B-5S-1500-STDA\(30\)](#) [GSB3116344HR](#) [USB3FTV2SAZNF459](#) [USBF21GSCC](#) [U221-041N-1WVS62-F5D](#)  
[HYCW153-USBD05-500B](#) [HYCW219-USBD05-075B](#) [HYCW148-USBD05-117B](#) [HYCW149-USBD05-740B](#) [HYCW204-USBD05-108B](#)  
[HYCW214-USBA04-113B](#) [HYCW213-USBA04-113B](#) [UB-20AMFM-SL7A01](#) [KMMX-BSMT35S-1-B30TR](#)