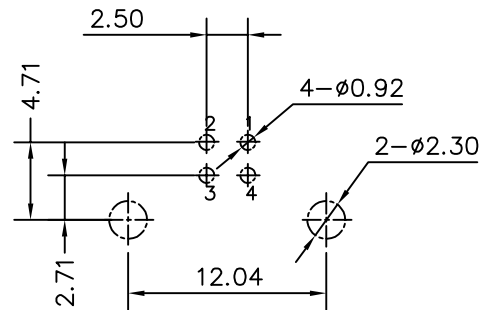
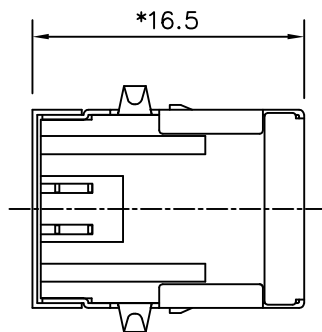
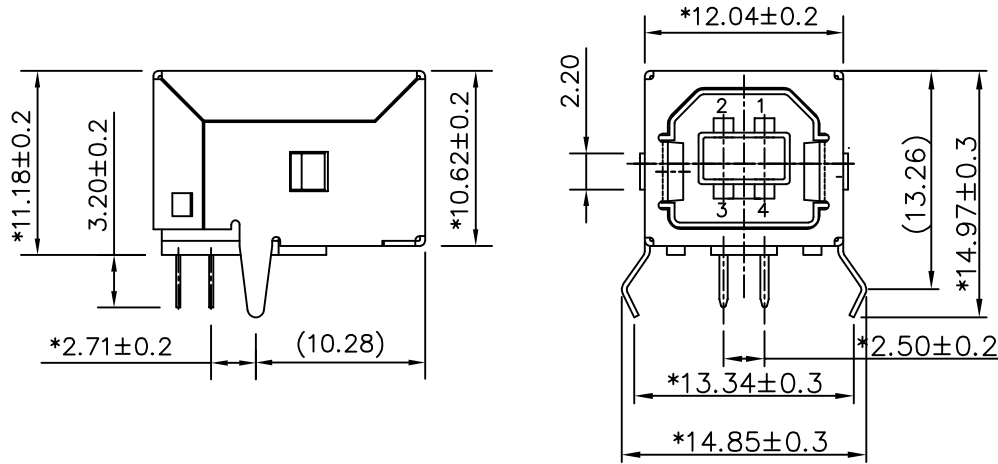


REVISION RECORD		
REV	DESCRIPTION	DRFT
11	OLD DRAWING CHECK IN	APFU 10/12/07
12	MODIFY DRAWING	Yuki 9/19/08 Victor
13	REASSIGN PIN NUMBER	27/03/12



USB-PCB LAYOUT

NOTES:

- MATERIAL:
TERMINAL-C5191 PHOSPHOR BRONZE HARD.
SHIELD-COPPER ALLOY
HOUSING-PBT+30% G.F. UL94V-0
 - PLATING: CONTACT-GOLD PLATING OVER NICKEL
TERMINAL-75u" Tin MIN OVER 50u"-100u" NICKEL Δ
SHIELD-120u" TIN MIN OVER 50u" NICKEL.
OR 100u"~120u" NICKEL OVER 40u" Cu.
 - GAP: 0.25mm (Max.)
 - ELECTRICAL:
VOLTAGE RATING : 30 VAC RMS.
CURRENT RATING : 1.0 AMP
CONTACT RESISTANCE : 30 MILLIOHMS MAX
INSULATION RESISTANCE : 1000 MEGOHMS MIN @500 VDC
DIELECTRIC STRENGTH : 750 VAC RMS 60 HZ, 1 MIN
OPERATING LIFE : 1500 CYCLES MIN
MATING FORCE : 3.5 KGS MAX
UNMATING FORCE : 1 KGS MIN
 - ENVIRONMENTAL:
STORAGE : -40°C TO +85°C
OPERATION : -40°C TO +85°C
CAPACITANCE : 2 PF MAX 1KHZ
WAVE SOLDER TEMPERATURE: 230-250°C.(3-5 SECONDS)
RoHS COMPLIANT
 - UL & CUL FILE NO. E163191
- OLD DRAWING NUMBER:GE813A02-LC

ROHS P/N	REV	MATERIAL	SHIELD PLATING	PLATING
E8144-B01321-L	A	PBT WHITE	PLATING NICKEL	Au3u"

MM (INCH)		DFTO SAMMY	DATE 03/14/05		RoHS Compliant
TOLERANCES EXCEPT AS NOTED		CHKD ALICE	DATE 3/29/2012		
MM	±	APPLV.TIM	DATE 3/29/2012	TITLE	
.0 ± 0.20	±	MATERIAL :		USB Series B	
.00 ± 0.15	±	ANGLES ± 0.5°		4-Position Dip Type	
.000 ± 0.075	±	THIRD ANGLE PROJECTION		DRAWING NO. E8144-B0XX2X-L2	
FINISH :		QTY :		/PART NO. E8144-B0XX2X-L2	
SCALE : 3:1		DO NOT SCALE DRAWING		SIZE A3	REV 13
				SHEET 1	OF 1

X-ON Electronics

Largest Supplier of Electrical and Electronic Components

Click to view similar products for [USB Connectors](#) category:

Click to view products by [Pulse](#) manufacturer:

Other Similar products are found below :

[950](#) [A-USB A-LP-SMT-C](#) [A-USB B-TOP-C](#) [MUSBA511N5](#) [MUSBD11135](#) [217450-1](#) [KMBVX-TH-5S-B30](#) [896-30-004-00-000000](#)
[KUSBX-AS2N-W](#) [KUSBX-SMT2AP1S-W30](#) [935](#) [957](#) [30-498-6](#) [SK-60A-2](#) [1734082-1](#) [CIR08AF-20-27S-F80-20](#) [CIR08F-20](#) [30-1574](#) [30-470](#) [30-489](#) [30-541](#) [30-572-3](#) [A-USB A-2P-C](#) [MIKROE-1451](#) [USBFTV2PEM2G](#) [USBFTVC6ZN](#) [USBFTVSCCG](#) [4689-1](#) [1-1734084-2](#)
[CIR08F-20-27P-F80-VO](#) [USBF21ZNSCC](#) [USBBFTV6ZC](#) [MUSBB151341](#) [10135326-001LF](#) [M9177/3-1](#) [USB-A-S-F-B-VT](#) [925](#) [4198](#) [690-024-633-031](#) [UB-20PMFP-LC7001](#) [USBFTVC6MRG](#) [UA-20BMFA-SL8001](#) [17-200011](#) [USBFTVC7ZC](#) [UB-20AFMM-LL7A01](#)
[USBFTVC2MN](#) [CAP-WCCMLPB1](#) [CAP-WCCMLPC1](#) [2041386-1](#) [2274475-3](#)