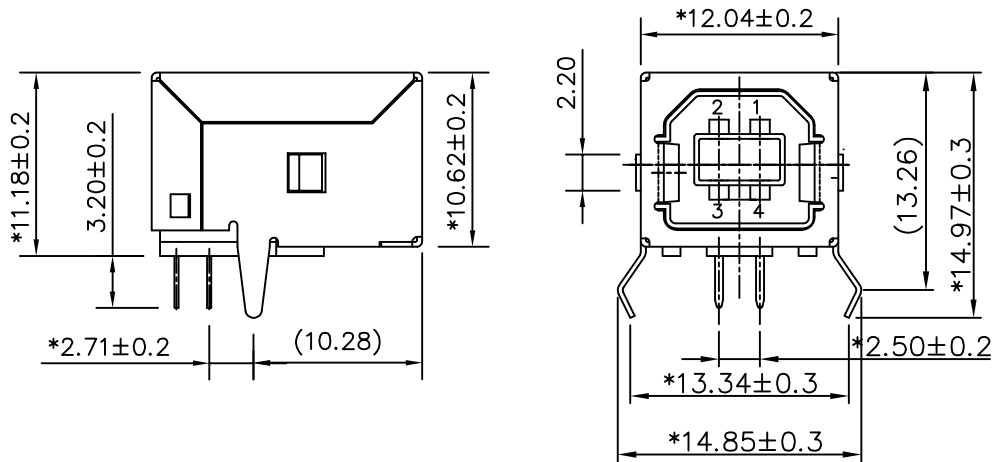


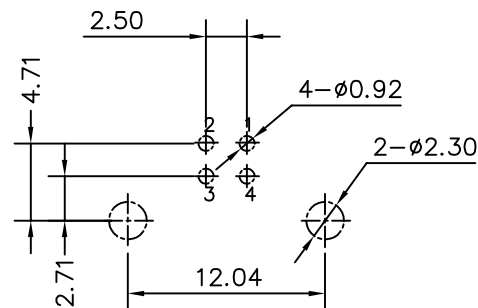
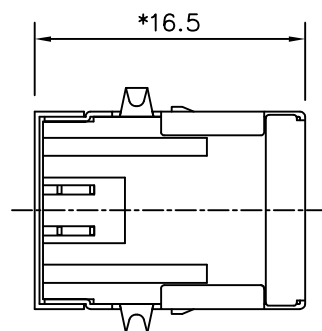
REVISION RECORD		
REV	DESCRIPTION	DRFT
11	OLD DRAWING CHECK IN	APPFU 10/12/07
12	MODIFY DRAWING	Tuki 9/19/08 Victor
13	REASSIGN PIN NUMBER	27/03/12



NOTES:

- MATERIAL:
 TERMINAL—C5191 PHOSPHOR BRONZE HARD.
 SHIELD—COPPER ALLOY
 HOUSING—PBT+30% G.F. UL94V-0
- PLATING: CONTACT—GOLD PLATING OVER NICKEL
 TERMINAL—75u" Tin MIN OVER 50u"~100u" NICKEL Δ 2
 SHIELD—120u" TIN MIN OVER 50u" NICKEL.
 OR 100u"~120u" NICKEL OVER 40u" Cu.
- GAP: 0.25mm (Max.)
- ELECTRICAL:
 VOLTAGE RATING : 30 VAC RMS.
 CURRENT RATING : 1.0 AMP
 CONTACT RESISTANCE : 30 MILLIOHMS MAX
 INSULATION RESISTANCE : 1000 MEGOHMS MIN @500 VDC
 DIELECTRIC STRENGTH : 750 VAC RMS 60 HZ, 1 MIN
 OPERATING LIFE : 1500 CYCLES MIN
 MATING FORCE : 3.5 KGS MAX
 UNMATING FORE : 1 KGS MIN
- ENVIRONMENTAL:
 STORAGE : -40°C TO +85°C
 OPERATION : -40°C TO +85°C
 CAPACITANCE : 2 PF MAX 1KHZ
 WAVE SOLDER TEMPERATURE: 230-250°C.(3-5 SECONDS)
 ROHS COMPLIANT
 6.UL & CUL FILE NO. E163191
 OLD DRAWING NUMBER: GE813A02-LC

ROHS P/N	REV	MATERIAL	SHIELD PLATING	PLATING
E8144-B02022-L	A	PBT BLACK	PLATING TIN	Au6u"



USB-PCB LAYOUT

MM (INCH)		DFTO SAMMY	DATE 03/14/05	Pulse Electronics		RoHS Compliant	
TOLERANCES EXCEPT AS NOTED		CHKD ALICE	DATE 3/29/2012	TITLE USB Series B			
MM		APPVLTIM	DATE 3/29/2012	4-Position Dip Type			
.0 ± 0.20	±	MATERIAL :		DRAWING NO. E8144-BOX2X-L2		SIZE	REV
.00 ± 0.15	±	ANGLES ± 0.5°		/PART NO. E8144-BOX2X-L2		A3	13
.000 ± 0.075	±	THIRD ANGLE PROJECTION		SCALE : 3:1		DO NOT SCALE DRAWING	
		QTY :		SHEET 1		OF 1	

X-ON Electronics

Largest Supplier of Electrical and Electronic Components

Click to view similar products for [USB Connectors](#) category:

Click to view products by [Pulse](#) manufacturer:

Other Similar products are found below :

[65-647-8-BK-BU](#) [950](#) [952](#) [E8144-B01021-L](#) [A-USB A-LP-SMT-C](#) [A-USB B-TOP-C](#) [MUSBA511N5](#) [MUSBD11135](#) [217450-1](#) [CA 6 W LD](#)
[KMBVX-TH-5S-B30](#) [896-30-004-00-000000](#) [KUSBVX-BS1N-W30](#) [KUSBX-AP-KIT-SCBLK](#) [KUSBX-AS2N-W](#) [KUSBX-SMT2AP1S-W](#)
[KUSBX-SMT2AP1S-W30](#) [935](#) [957](#) [30-498-6](#) [17-210051](#) [1734082-1](#) [30-1574](#) [30-470](#) [30-489](#) [30-541](#) [30-572-3](#) [MAB 8 SN V](#) [A-USB A-](#)
[2P-C](#) [MIKROE-1451](#) [USBFTV2PEM2G](#) [USBFTVC6ZN](#) [KUSBX-AS2N-W30](#) [KUSBX-SLAS1N-W](#) [KUSBX-SMT-AS1N-W30](#) [4689-1](#) [1-](#)
[1734084-2](#) [E8110-001-01](#) [33UBARS1-04SW11](#) [33UBAR-04SW11](#) [USBF21ZNSCC](#) [USBBFTV6ZC](#) [MUSBB151341](#) [10135326-001LF](#)
[M9177/3-1](#) [USB-A-S-F-B-VT](#) [925](#) [4198](#) [690-024-633-031](#) [KUSBEX-BSFS1N-W](#)