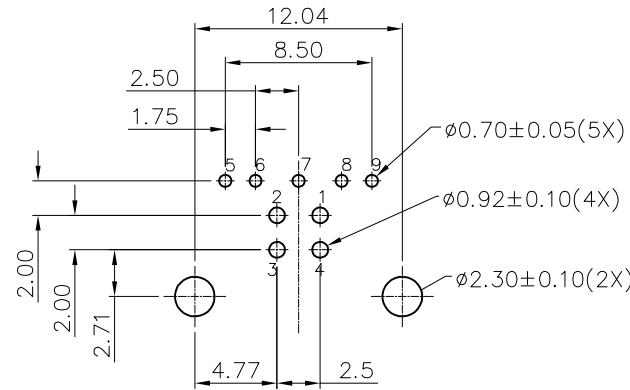
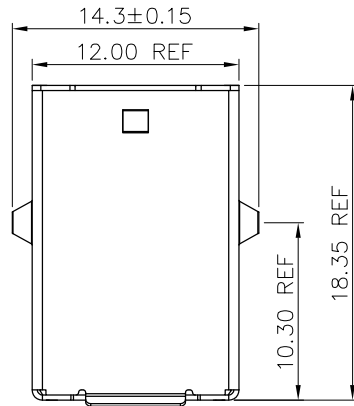
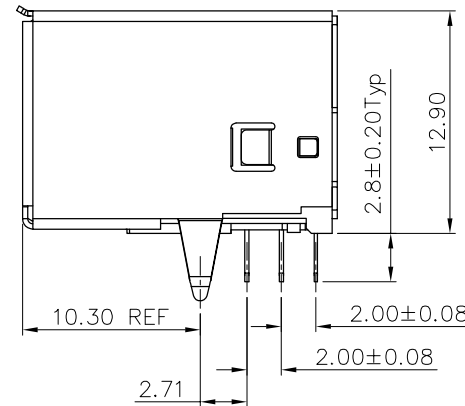
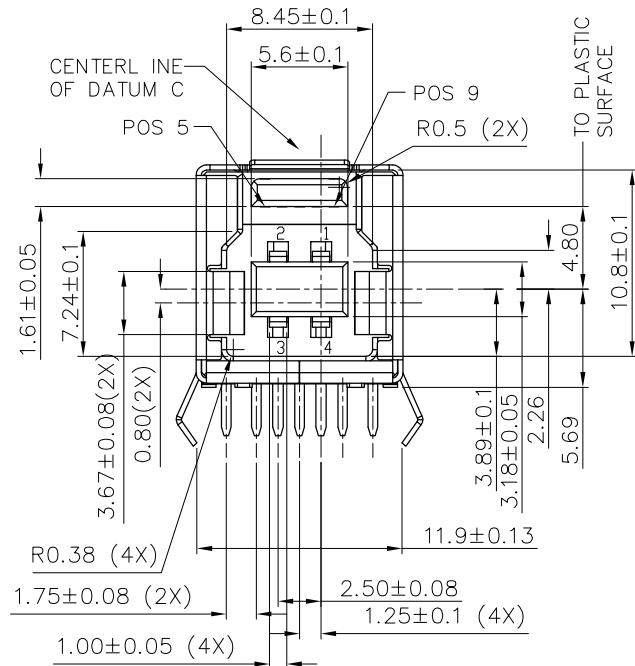


REVISION RECORD		
REV	DESCRIPTION	DRFT
02	ADD SOLDER STANDARD	RICKY



RECOMMENDED PCB LAYOUT
TOP VIEW(TOLERANCE: ±0.05)



NOTES:

- MATERIAL
 - PLASTIC: NYLON UL 94V-0 COLOR: BLUE300C;
 - SHIELD: STEEL
 - PLATING: FRONT SHIELD PLATING NICKEL 50u"Min;
REAR SHIELD PLATING NICKEL 80u"
50u"MIN CU UNDERPLATING ALL OVER .
 - TERMINAL: PHOSPHOR BRONZE
 - PLATING: 3u" Min GOLD PLATING ON CONTACT AREA
80u"MIN TIN PLATING ON SOLDER AREA.
AND 50u"MIN NICKEL UNDERPLATING OVER ALL.
- ELECTRICAL CHARACTERISTICS
 - CURRENT RATING: 1.8A
 - CONTACT RESISTANCE: 30mΩMAX.
 - DIELECTIC WITHSTANDING: 100V AC/1min.
 - INSULATION RESISTANCE: 100MΩMin.
- MECHANICAL CHARACTERISTICS
 - MATING FORCE: 3.57Kgf MAX(35N MAX).
 - UNMATING FORCE: 1.02Kgf Min(10N Min).
 - DURABILITY: 5000 CYCLES.

OPERATION TEMPERATURE: -20°C to +80°C
- J-STD-075: W2, 270°C MAXIMUM THROUGH WAVE SOLDER

MM (INCH)		DFTD Roy	DATE 11/20/2012	Pulse Electronics		RoHS Compliant	
TOLERANCES EXCEPT AS NOTED		CHKD	DATE	TITLE USB 3.0 B TYPE RECEPTACLE			
MM		APPVL	DATE	DRAWING NO. E8199-030-01			
0 ± 0.38	±	MATERIAL :		/PART NO. E8199-030-01		SIZE	REV
.00 ± 0.13	±	QTY :		DO NOT SCALE DRAWING		A3	02
.000 ± 0.05	±	FINISH :		SHEET 1 OF 1			
ANGLES: X° ±2° X.X° ±0.5°		SCALE : 1:1					
THIRD ANGLE PROJECTION							

X-ON Electronics

Largest Supplier of Electrical and Electronic Components

Click to view similar products for [USB Connectors](#) category:

Click to view products by [Pulse](#) manufacturer:

Other Similar products are found below :

[65-647-8-BK-BU](#) [950](#) [952](#) [E8144-B01021-L](#) [A-USB A-LP-SMT-C](#) [A-USB B-TOP-C](#) [MUSBA511N5](#) [MUSBD11135](#) [217450-1](#) [CA 6 W LD](#)
[KMBVX-TH-5S-B30](#) [896-30-004-00-000000](#) [KUSBVX-BS1N-W30](#) [KUSBX-AP-KIT-SCBLK](#) [KUSBX-AS2N-W](#) [KUSBX-SMT2AP1S-W](#)
[KUSBX-SMT2AP1S-W30](#) [935](#) [957](#) [30-498-6](#) [17-210051](#) [1734082-1](#) [30-1574](#) [30-470](#) [30-489](#) [30-541](#) [30-572-3](#) [MAB 8 SN V](#) [A-USB A-](#)
[2P-C](#) [MIKROE-1451](#) [USBFTV2PEM2G](#) [USBFTVC6ZN](#) [KUSBX-AS2N-W30](#) [KUSBX-SLAS1N-W](#) [KUSBX-SMT-AS1N-W30](#) [4689-1](#) [1-](#)
[1734084-2](#) [E8110-001-01](#) [33UBARS1-04SW11](#) [33UBAR-04SW11](#) [USBF21ZNSCC](#) [USBBFTV6ZC](#) [MUSBB151341](#) [10135326-001LF](#)
[M9177/3-1](#) [USB-A-S-F-B-VT](#) [925](#) [4198](#) [690-024-633-031](#) [KUSBEX-BSFS1N-W](#)