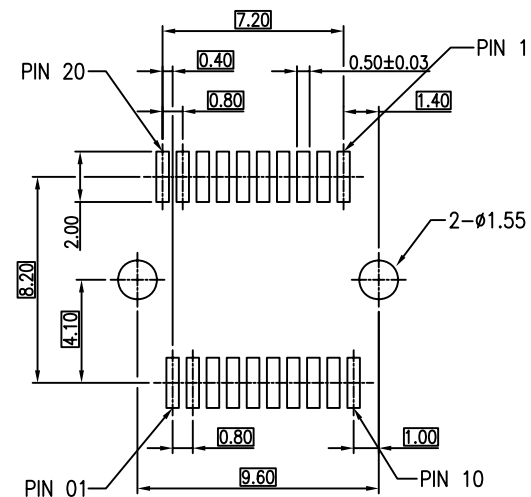
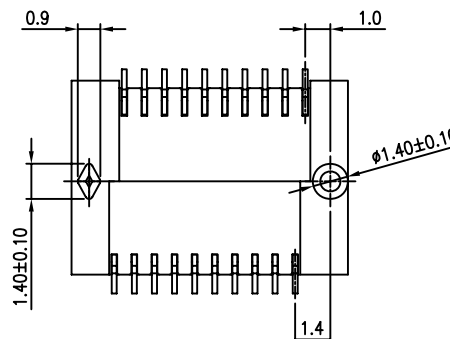
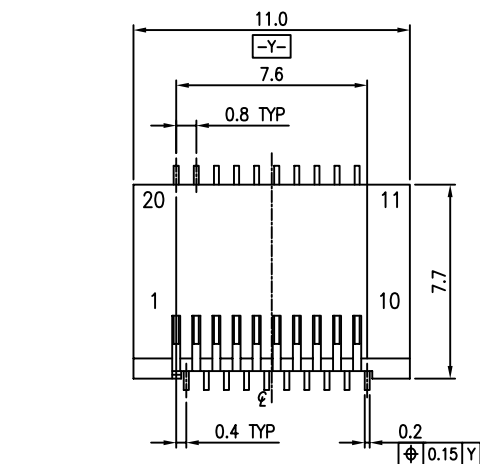
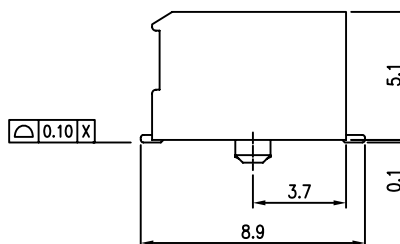
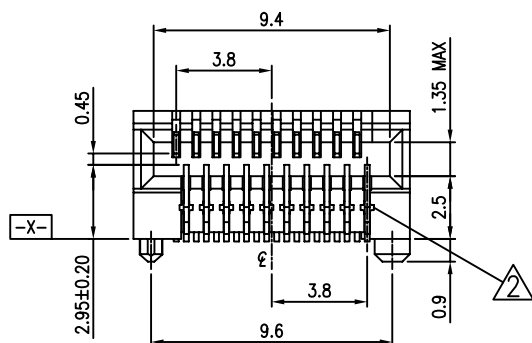


REVISION RECORD		
REV	DESCRIPTION	DRFT
1	NEW RELEASE	Jack 5/09/10'
2	ENGINEER CHANGE	Jack 1/11/12'



RECOMMENDED PCB LAYOUT

Tolerance:±0.05



Material:

1.Insulator:Glass-Reinforced Thermoplastic, UL 94V-0,Color:Black.

2.Contact:Copper Alloy.

Contact Plating:Gold Plating on Contact Area.
Over Nickel underplating overall.

3.ROHS Compliant

4.Durability:250 cycles min.

Electrical:

1.Voltage Rating:100VAC.

2.Current Rating:1A.

3.Contact Resistance:40 milliohms Max.

4.Dielectric Withstanding Voltage:500VAC Min.

5.Insulation Resistance:1000 Megaohms Min.

Environmental:

1.Temperature Range:-40°c to +85°c.

PART NO.:	PART NUMBER	REV	GOLD PLATING
	E81M0-002-01-LT	A	15u''
	E81M0-002-02-LT	A	30u''

MM (INCH)		RoHS Compliant		Pulse Electronics	
TOLERANCES EXCEPT AS NOTED					
MM					
.0 ± 0.25		±			
.00 ± 0.20		±			
.000 ± 0.10		±			
ANGLES ± 0.5°		TITLE			
THIRD ANGLE PROJECTION		SFP CONNECTOR			
DFTO : PETER		DRAWING NO. CE81M0-002-XX-LT		SIZE	REV
DATE : 07/07/2008		/PART NO. CE81M0-002-XX-LT		A3	2
SCALE : 5:1		DO NOT SCALE DRAWING		SHEET	OF
				1	1

8

7

6

5

4

3

2

1

A

B

C

D

E

F

G

H

X-ON Electronics

Largest Supplier of Electrical and Electronic Components

Click to view similar products for [I/O Connectors](#) category:

Click to view products by [Pulse](#) manufacturer:

Other Similar products are found below :

[571763P](#) [61-168618-12P](#) [72.250.1628.2](#) [72.250.2428.2](#) [74720-0505](#) [76.350.0729.0](#) [76871-1403](#) [MP-5T180MUNNA-005](#) [PCR-E36PM](#) [PCS-XES68MS+](#) [G38A71314B](#) [9776-18-6](#) [1571250010](#) [157-22500-3](#) [MS3471L14-19P L/C](#) [192991-0703](#) [91-644626-35P](#) [SM3100F14S-58S](#)
[172501-6002](#) [FCN-260C008-A/L0](#) [FCN-260C024-AL0](#) [FCN-261Z008](#) [2000314-1](#) [200331-1](#) [PCR-E36FC+](#) [PCS-E28FS+](#) [PCS-XE26SLFD+](#)
[PCS-XE26SLFDT+](#) [G730VID08BDC24](#) [HDMR-29-01-S-SM-TR](#) [HDRA-E68W1LFDTC-SL+](#) [HDR-E14MSG1+](#) [54182-0605](#) [38113800006](#)
[DP3AR020WQ1R200](#) [Z4.102.0680.0](#) [500-1040](#) [500-1052](#) [500-1054](#) [ZP-4008-66L](#) [10-584459-12P](#) [SM3106F14S-7S-LC](#) [SM3106R18-18S](#)
[U90B3054061110](#) [U65-E04-4020](#) [ZPF000000000097891](#) [557-262M2-06C](#) [60-042222-02S](#) [10099439-003C-TRLF](#) [226-0348-000](#)