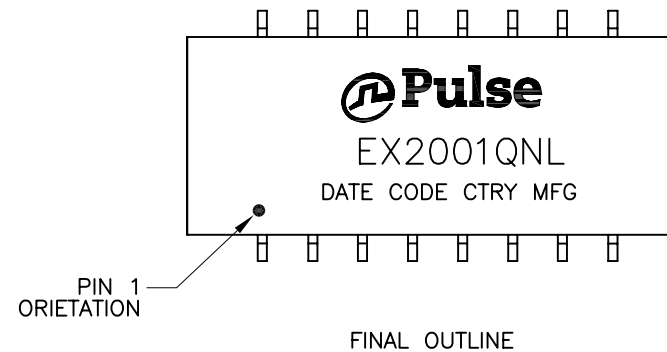




NOTES:

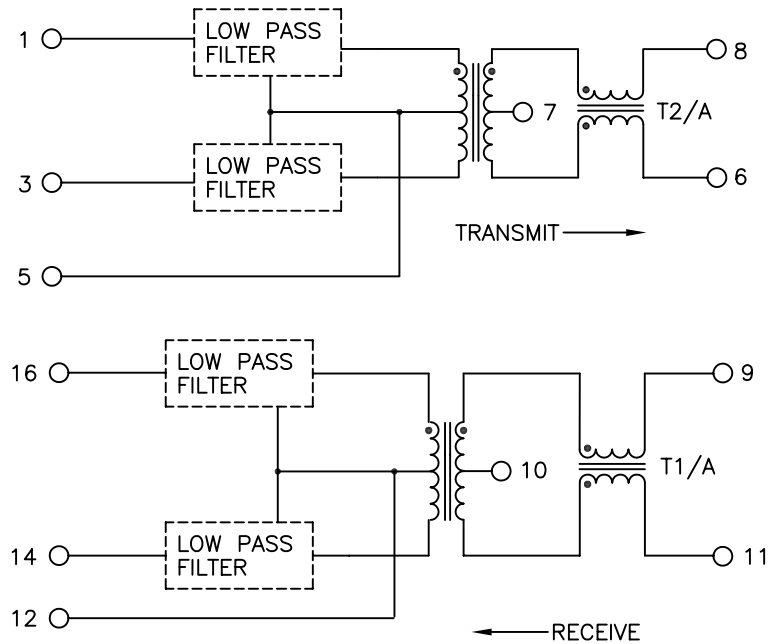
1. ROHS COMPLIANT
2. HEADER: THERMOSET PLASTIC MATERIAL WITH FLAMMABILITY RATING UL 94V-0 OR BETTER.
3. STORAGE TEMPERATURE: -40°C TO +125°C
4. COMPLIANCE TO J-STD:
 - A. J-STD-002: SOLDERABILITY AT 245°C REFLOW PROFILE
 - B. J-STD-020: LEVEL 1, NO MOISTURE SENSITIVE
 - C. J-STD-075: W7, 270°C MAXIMUM THROUGH WAVE SOLDER
5. FOR MORE INFORMATION PLEASE CONTACT PULSE ELECTRONICS:
PHONE:
USA: 858 674 8100
GERMANY: 49 7032 78060
SINGAPORE: 65 6287 8998
SHANGHAI: 86 21 62787060
TAIWAN: 886 3 4356768

E-MAIL:
PRODINFONETWORK@PULSEELECTRONICS.COM (US)
ASIA@PULSEELECTRONICS.COM (Asia)



© Copyright, 2013. Pulse Electronics Corp. All rights reserved. Pulse confidential & proprietary. Drawing specifications subject to change without notice. (11/28/13)

PRODUCT DESCRIPTION	TLA DRAWING	PS DRAWING	SHEET:	PART NO.	DATASHEET REV.
MDL,SIN,10F,1:1,SM,TU	EX2001QNL-14	PS-2470.001-A	1 OF 3	EX2001QNL	A



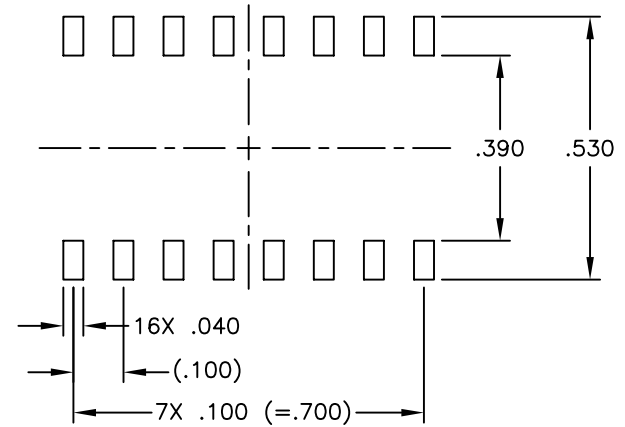
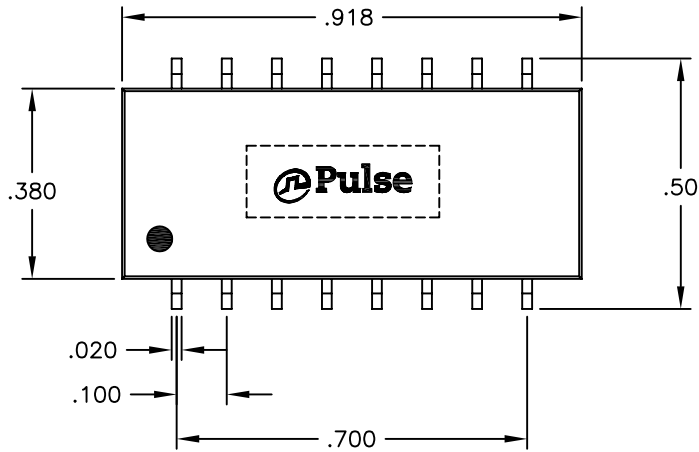
SCHEMATIC

ELECTRICAL CHARACTERISTICS AT +25°C UNLESS OTHERWISE SPECIFIED
(FOR REFERENCE ONLY. USED FOR CUSTOMER INFORMATION.)

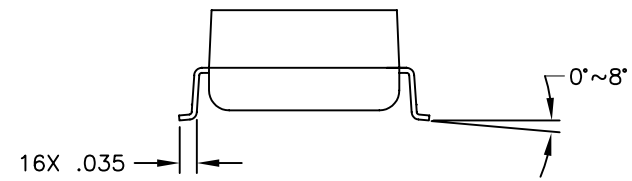
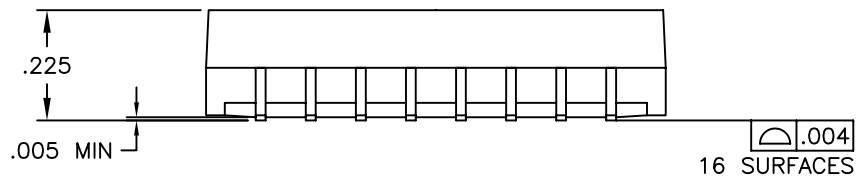
PARAMETER	SPECIFICATIONS					
OPERATING TEMP	-40°C - +85 °C					
URNS RATIO	1 : 1 ±2%					
POLARITY	PER SCHEMATIC					
INSERTION LOSS (MEDIA SIDE, -40°C-85°C)	TX			RX		
	1 - 10 MHz	30 MHz	50-100 MHz	1 - 10 MHz	30 MHz	50-100 MHz
	-1.0 dB MAX	-30 dB MIN	-35 dB MIN	-1.0 dB MAX	-16 dB MIN	-35 dB MIN
OCL (SAMPLE) (MEDIA SIDE, -40°C-85°C)	250 uH MIN (AT 100 KHz, 100 mV)					
RETURN LOSS (Z OUT = 100 OHM) (MEDIA SIDE, -40°C-85°C)	5 - 10 MHz					
	-18 dB MIN					
CROSSTALK, ADJACENT CHANNELS	5 -10 MHz		30 -50 MHz		100 MHz	
	-35 dB MIN		-25 dB MIN		-20 dB MIN	
COMMON MODE REJECTION RATIO	5 -10 MHz		50 MHz		100 MHz	
	-60 dB MIN		-50 dB MIN		-40 dB MIN	
INPUT - OUTPUT ISOLATION	1500 VRMS FOR 60 SECONDS					

NOTE: f IS FREQUENCY IN MHz.

PRODUCT DESCRIPTION	TLA DRAWING	PS DRAWING	SHEET:	PART NO.	DATASHEET REV.
MDL,SIN,10F,1:1,SM,TU	EX2001QNL-14	PS-2470.001-A	2 OF 3	EX2001QNL	A



SUGGESTED LAND PATTERN



DIMENSIONS ARE IN INCHES WITH THE FOLLOWING TOLERANCES:
.XX= ±.02
.XXX= ±.010

PRODUCT DESCRIPTION	TLA DRAWING	PS DRAWING	SHEET:	PART NO.	DATASHEET REV.
MDL,SIN,10F,1:1,SM,TU	EX2001QNL-14	PS-2470.001-A	3 OF 3	EX2001QNL	A

X-ON Electronics

Largest Supplier of Electrical and Electronic Components

Click to view similar products for [Audio Transformers / Signal Transformers](#) category:

Click to view products by [Pulse manufacturer](#):

Other Similar products are found below :

[CX2041NLT](#) [MGPWT-00449-P](#) [PE-64961](#) [H1302FNLT](#) [H5008FNL](#) [H5012FNL](#) [H5020FNLT](#) [H5077NLT](#) [H5079NLT](#) [H5084FNLT](#)
[B78476A9558A003](#) [1812WBT2-4](#) [1879479-1](#) [HX2260FNL](#) [HX5014FNL](#) [EX2024FNL](#) [FL1066](#) [T1137NLT](#) [T3012NL](#) [PE-65812FNL](#) [PE-65848FNLT](#) [H1174FNL](#) [H1302FNL](#) [H5015FNL](#) [H5019EFNL](#) [H5062FNLT](#) [CX2047LNL](#) [MGPWT-00059-P](#) [MGPWT-00266-P](#) [MGPWT-00278-P](#) [MGPWT-00431-P](#) [TTC-100](#) [TTC-143-H](#) [TTC-5032-1](#) [BX1194WNLT](#) [HX1234NLT](#) [HX5008FNLT](#) [HX5019FNL](#) [HX5084NL](#) [3-1879385-5](#) [TX1263NLT](#) [4-1879391-0](#) [T1142NL](#) [HX6101FNL](#) [HX5084FNL](#) [HX1148NL](#) [HX5020FNLT](#) [HX5014FNLT](#) [T1124NL](#)
[1879732-1](#)