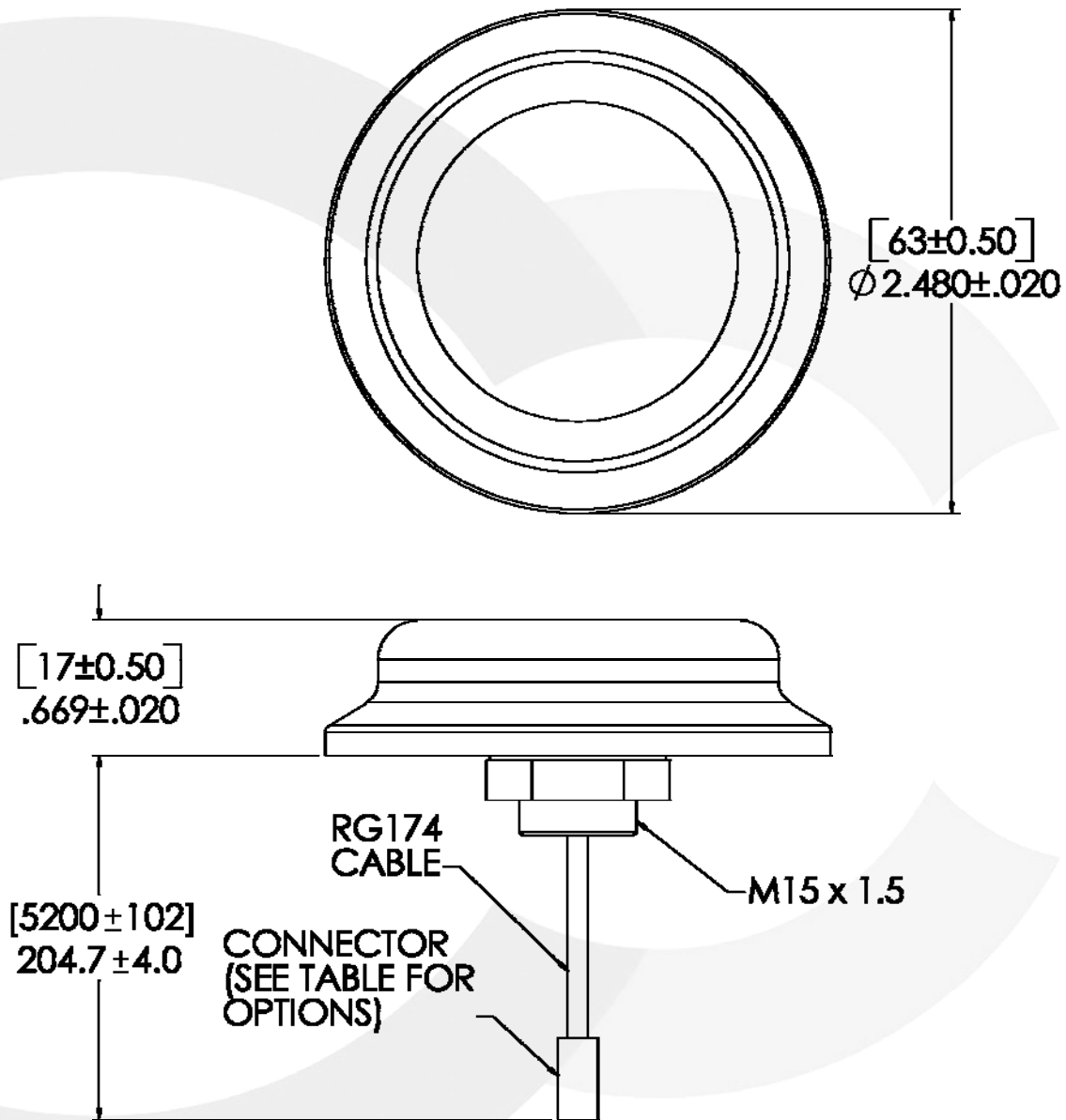


GPS DIRECT MOUNT

GPSDM02-12

Series : ANTENNA



MODEL	CONNECTOR
GPSDM02	MCX
GPSDM04	MMCX
GPSDM06	SMB
GPSDM08	SMA
GPSDM10	BNC
GPSDM12	No Conn

All dimensions are in inches
 [] dimensions in mm

Issue : 0710

In the effort to improve our products, we reserve the right to make changes judged to be necessary.



GPS DIRECT MOUNT

GPSDM02-12

Series : ANTENNA

ELECTRICAL SPECIFICATIONSFrequency :..... **1575.42 MHz**Nominal Impedance :..... **50 Ω** VSWR :..... **2:1 Max**Gain @ Zenith: **+5 dBic**Gain @ 10° Elevation: **-1 dBic**Polarization : **Right Hand Circular**Voltage: **5 V DC**Connector type : **SMA, SMB, MCX,
MMCX, BNC**Cable type : **RG-174**Length : **17 Feet****MECHANICAL SPECIFICATIONS**Plastic radome : **Polycarbonate-polyester
plastic blend**Color : **Black or White**Diameter:..... **2.5 inches**Height : **.07 inches**Mounting Type: **Bolt mount requiring 3/8"
to 3/4" hole**Optional Mounting: **Die cut double sided tape
on bottom of antenna****ENVIRONMENTAL SPECIFICATIONS**Operating temperature :..... **-30 to +80 ° C**

X-ON Electronics

Largest Supplier of Electrical and Electronic Components

Click to view similar products for [Antennas](#) category:

Click to view products by [Pulse](#) manufacturer:

Other Similar products are found below :

[CCT FM1](#) [ABFT](#) [AD-NM-SMAF 001-0021](#) [CTC110](#) [MAF94149](#) [EXE902SF](#) [MMCX-SMA-100](#) [PDQ24496-91NF](#) [GAN30084EU](#) [930-033-R](#) [A08-HABUF-P5I](#) [AAF95035](#) [DG-ANT-20DP-BG-B](#) [APAMPGJ-141](#) [1513563-1](#) [OF86315-FNF](#) [OP24516DS-91NM](#) [A09-HASM-7](#) [EXE902MD](#) [EXE902SM](#) [SPDA17806/2170LAR](#) [APAMPG-117](#) [GPS1575SP26-004](#) [GPS15MGSMA](#) [CMD69273P-30NF](#) [CMQ69273-30NF](#) [RD2458-5-OTDR-NM](#) [RD2458-5-RSMA](#) [TRAB24/49003](#) [W4120ER5000](#) [W6102B0100](#) [YE572113-30RSMM](#) [108-00014-50](#) [SPDA17RP918](#) [OP24516SX-91NM](#) [OP24516SX-91RSMM](#) [CMQ69273P-30NF](#) [CMS69273-30NF](#) [CMS69273P-30NF](#) [TRAB24003N](#) [TRAB24003NP](#) [TRAB8213NP](#) [TRAB8903](#) [A09-Y8NF](#) [A09-Y11NF](#) [A09-HSM-7](#) [A09-F8NF-M](#) [A09-F5NF-M](#)