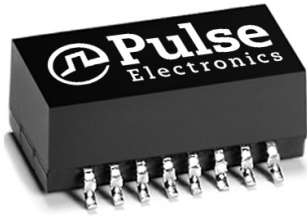


# 10/100Base-T Single Port Surface Mount Magnetics

With Various Turns Ratios



- RoHS peak reflow temperature rating: 245°C
- Meets IEEE 802.3 specification
- Compact footprint for use in the most space-restrictive applications

Electrical Specifications @ 25°C - Operating Temperature 0°C to 70°C

Part Number <sup>2</sup>	Crosstalk Turns Ratio		Insertion Loss 100 kHz-100 MHz	Return Loss (dB TYP)			Differential to Common Mode Rejection (dB TYP)			Crosstalk (dB TYP)			Hipot (Vrms MIN)
	TX	RX		30 MHz	60 MHz	80 MHz	30 MHz	50 MHz	100 MHz	30 MHz	60 MHz	100 MHz	
H1100NL <sup>3a,5</sup>	2:1	1:1	-1.1	-20	-14	-11.5	-42	-37	-33	-45	-40	-35	1500
H1101NL <sup>3a,5</sup>	1.25:1	1:1	-1.1	-20	-14	-11.5	-42	-37	-33	-45	-40	-35	1500
H1102FNL <sup>3a,4,5</sup>	1:1	1:1	-1.1	-20	-14	-11.5	-42	-37	-33	-45	-40	-35	1500
H1121NL <sup>3a,5</sup>	1:1.414	1:1	-1.1	-18	-12	-11.5	-42	-37	-30	-45	-40	-35	1500
H1183NL <sup>3a,4,5</sup>	1:1	1:1	-1.0	-18	-14	-12	-40	-40	-40	-35	-35	-35	1500
H1199NL <sup>3a,5</sup>	1:1	1:1	-0.9	-18	-12	-11	-40	-35	-30	-45	-45	-37	1500
HX1188FNL <sup>1,3a,4</sup>	1:1	1:1	-1.0	-20	-14	-12	-42	-37	-32	-45	-40	-35	1500
HX1198FNL <sup>1,3a,4</sup>	1:1	1:1	-1.0	-20	-14	-12	-42	-37	-32	-45	-40	-35	1500
H1302NL <sup>3a,5</sup>	1:1	1:1	-1.1	-16	-10	-10	-42	-37	-32	-35	-30	-30	1500

1. Operating temperature -40°C to +85°C

2. For Tape & Reel packaging, add a "T" suffix at the end of the part number when ordering, e.g. H1102FNLT.

3. MSL = Moisture Sensitivity Level a=1 b=2 c=3 d=4

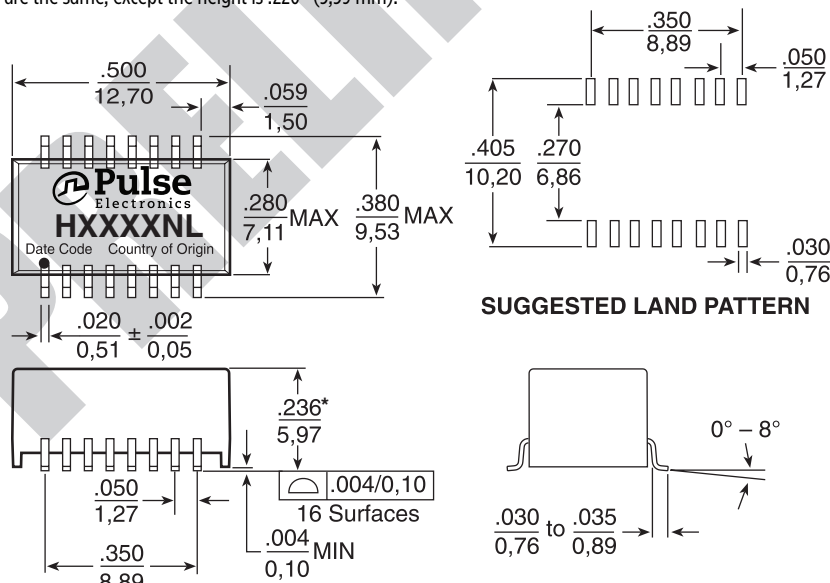
4. Suitable for Aut-MDIX applications

5. Not for sale in U.S.

## Mechanical

H11XXNL, H1121NL, \*H1183NL, H1302NL

\* For part number H1183NL, all dimensions are the same, except the height is .220" (5,59 mm).



Dimensions: Inches / mm

Unless otherwise specified, all tolerances are ± .010 / 0,25

Weight .....0.9 grams  
Tube .....40/tube  
Tape & Reel .....600/reel

USA 858 674 8100

Germany 49 7032 7806 0

Singapore 65 6287 8998

Shanghai 86 21 62787060

China 86 755 33966678

Taiwan 886 3 4356768

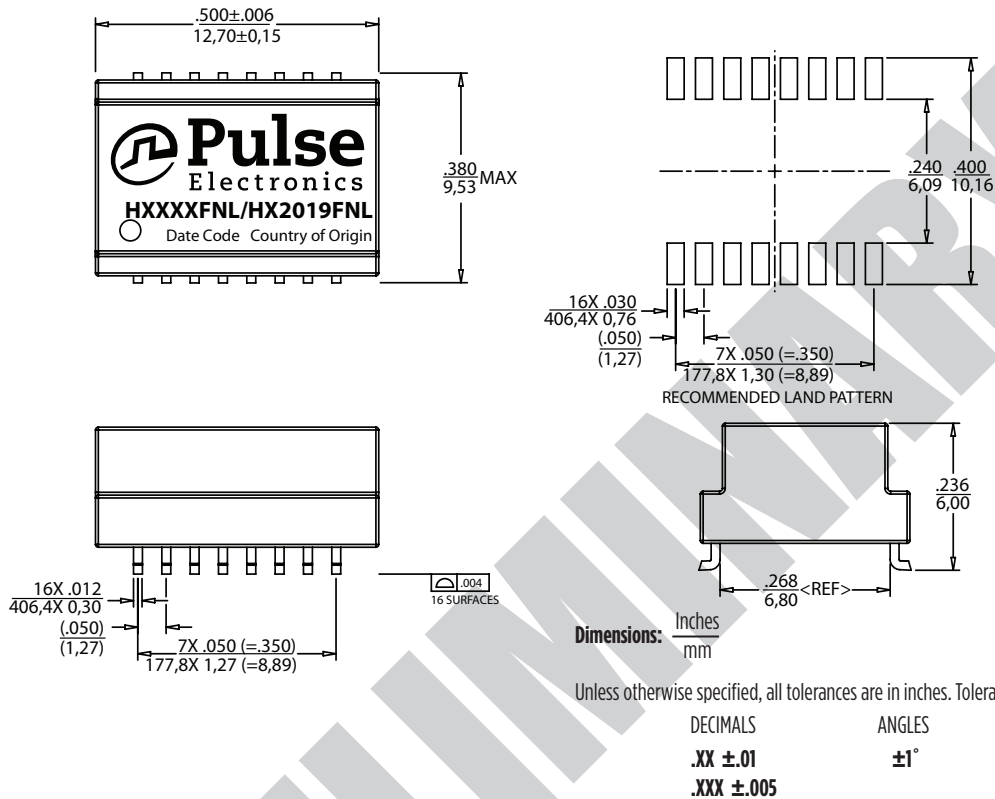
# 10/100Base-T Single Port Surface Mount Magnetics

With Various Turns Ratios



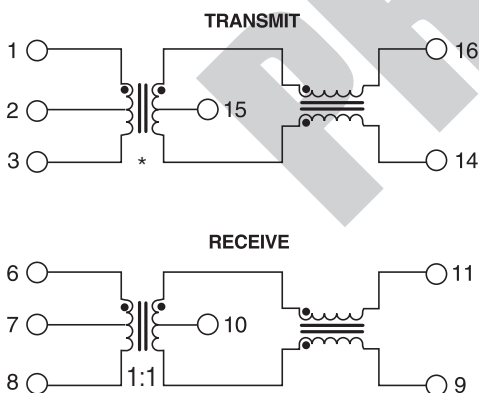
## Mechanical

### H1102FNL, HX1188NL, HX1198NL



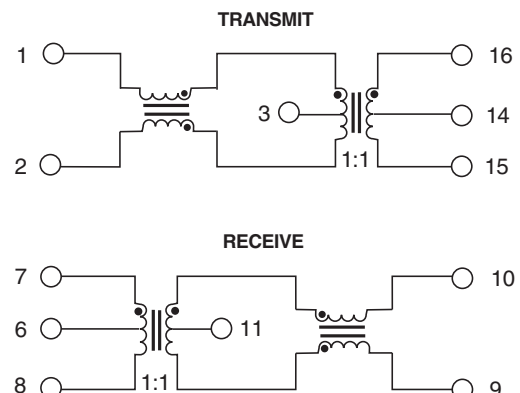
## Schematics

### H110XNL, H1102FNL, H1121NL, HX1188FNL



\*See main table for Transmit turns ratio

### H1199NL

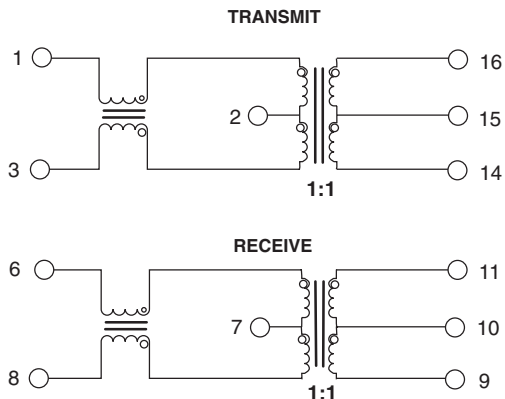


# 10/100Base-T Single Port Surface Mount Magnetics

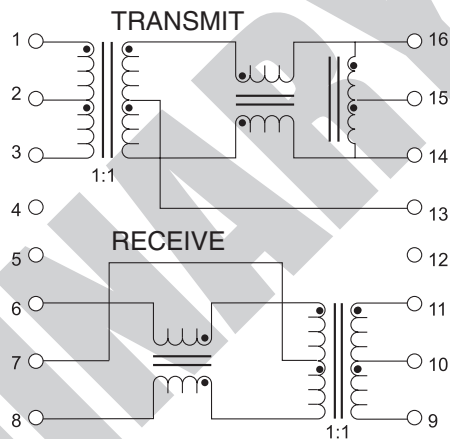
With Various Turns Ratios

## Schematics

### HX1198FNL, H1183NL

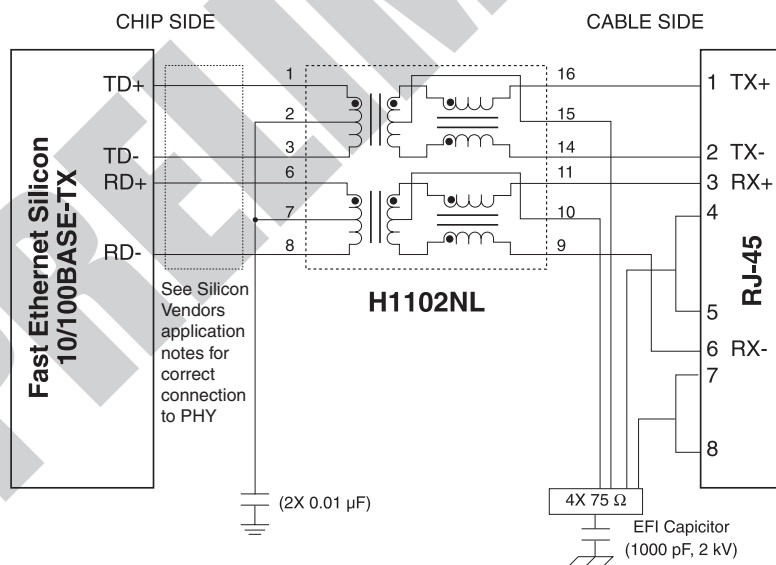


### H1302NL



## Typical Application Circuit

### HT102FNL



## For More Information

### Pulse Worldwide Headquarters

12220 World Trade Drive  
San Diego, CA  
92128  
U.S.A.

Tel: 858 674 8100

### Pulse Europe

Einsteinstrasse 1  
D-71083 Herrenberg  
Germany

Tel: 49 7032 7806

### Pulse China Headquarters

B402, Shenzhen Academy of  
Aerospace Technology Bldg.  
10th Kejinan Road  
High-Tech Zone  
Nanshan District  
Shenzhen, PR China  
518057

### Pulse North China

Room 2704/2705  
Super Ocean Finance  
Ctr.  
2067 Yan An Road  
West  
Shanghai 200336  
China

### Pulse South Asia

135 Joo Seng Road  
#03-02  
PM Industrial Bldg.  
Singapore 368363

Tel: 65 6287 8998  
Fax: 65 6287 8998

### Pulse North Asia

3F, No. 198  
Zhongyuan Road  
Zhongli City  
Taoyuan County 320  
Taiwan R. O. C.  
Tel: 886 3 4356768  
Fax: 886 3 4356823  
(Pulse)

Performance warranty of products offered on this data sheet is limited to the parameters specified. Data is subject to change without notice. Other brand and product names mentioned herein may be trademarks or registered trademarks of their respective owners. © Copyright, 2013. Pulse Electronics, Inc. All rights reserved.

## X-ON Electronics

Largest Supplier of Electrical and Electronic Components

*Click to view similar products for [Pulse Transformers](#) category:*

*Click to view products by [Pulse manufacturer](#):*

Other Similar products are found below :

[E4001NLT](#) [1879401-1](#) [IF-18-0269-N](#) [T1042NLT](#) [T1049NL](#) [PE-68023NL](#) [PH0905NL](#) [PT4163S](#) [PT5010](#) [PA0173NLT](#) [CTX02-14608](#) [PE-65457NLT](#) [T60403-D4721-X088](#) [H1183NLT](#) [CTX33-18971-R](#) [HM2108NLT](#) [HM0068ANLT](#) [PG1427.001NLT](#) [750031353](#) [PH9400.566NLT](#) [PH9400.655ANLT](#) [PH9400.655NLT](#) [PH9385.013NLT](#) [B78307X0001](#) [B78307A2276A003](#) [HX6096FNL](#) [HX6106NLT](#) [P0926NL](#) [HX6096NL](#) [PA3493NLT](#) [P0585ANL](#) [HU4102NL](#) [PH9385.012NLT](#) [PH9400.111NLT](#) [PH9400.211NLT](#) [PH9400.233ANLT](#) [SMQC1553-6](#) [78615/9JC-R](#) [SMQ1553-45](#) [Q1553-45](#) [Q1553-22](#) [Q1553-21](#) [PH9400.211ANLT](#) [TGM-050P3RL](#) [TGRAD-560V8LF](#) [TGMR-360V6LF](#) [P0544](#) [PA0264NLT](#) [T60403-D4215-X014](#) [T60403-F4185-X035](#)