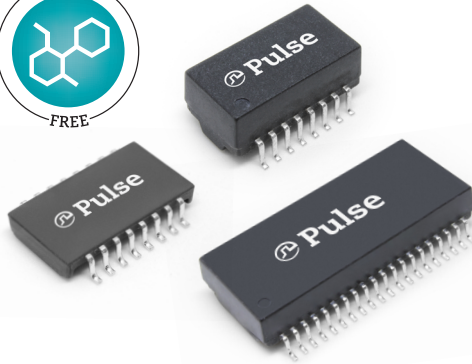


# Single and Quad 100BASE-TX SMD Modules

HB3005HLT, HXB2001HLT, HXB2002HLT, HB3004HLT, HB2003HLT, HB3006HLT, HB3002HLT, HB3003HLT



- Ⓢ Fully RoHS and Halogen Free
- Ⓢ Single, Quad and Power over Ethernet options
- Ⓢ Meet or exceed IEEE802.3u/af/at for 10/100Base-TX
- Ⓢ Compatible with all 1:1 turns ration PHYs
- Ⓢ Supports AutoMDIX functionality
- Ⓢ Commercial and Industrial Temperature
- Ⓢ Reliable SMD packages support 245°C pk Reflow
- Ⓢ All components Supplied in Tape and Reel

## Electrical Specification @ 25°C (OCL@DC8mA)

Part Number	Media side Inductance (@100KHz/0.1Ve) uH min	Insertion Loss (dB max)	Return Loss (dB min)				PoE (Current Per Pair mA)	Operating Temperature (°C)	Isolation (Pri:Sec)	Note
			0.3-100 MHz	2-30MHz	30-60MHz	60-80MHz				
HB3005HLT	350	-1.15	-16	-(16-20log10(f/30))		-10	-	0 to +70	1500Vrms	-
HXB2001HLT	350	-1.15	-16	-(16-20log10(f/30))		-10	720	-40 to +85	1500Vrms	PoE+
HXB2002HLT	350	-1.15	-16	-(16-20log10(f/30))		-10	350	-40 to +85	1500Vrms	PoE
HB3004HLT	350	-1.15	-16	-(16-20log10(f/30))		-10	-	0 to +70	1500Vrms	-
HB2003HLT	350	-1.15	-16	-(16-20log10(f/30))		-10	720	0 to +70	1500Vrms	PoE+
HB3006HLT	350	-1.15	-16	-(16-20log10(f/30))		-10	-	0 to +70	1500Vrms	QUAD PORT

Note: \* Specifications listed above refer to the base component part number that is printed on the product - ie HXB2002HLT will be HXB2002HL

## Electrical Specification @ 25°C

Part Number	Media side Inductance (@100KHz/0.1Ve) uH min	Insertion Loss (dB max)	Return Loss (dB min)				PoE (Current Per Pair mA)	Operating Temperature (°C)	Isolation (Pri:Sec)	Note
			0.3-100 MHz	2-30MHz	30-60MHz	60-80MHz				
HB3002HLT	350	-1.15	-16	-(16-20log10(f/30))		-10	-	0 to +70	1500Vrms	PCMCIA
HB3003HLT	350	-1.15	-16	-(16-20log10(f/30))		-10	-	0 to +70	1500Vrms	PCMCIA

Note: \* Specifications listed above refer to the base component part number that is printed on the product - ie HB3002HLT will be HB3002HL

## Process and Materials

### Notes:

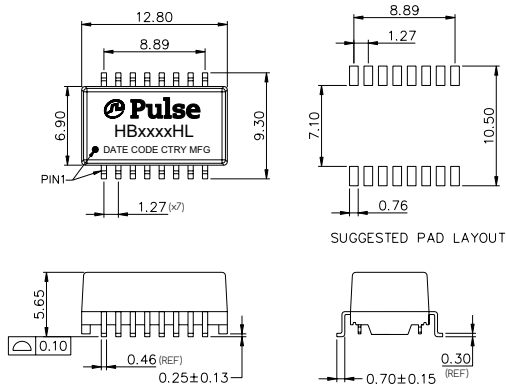
1. Storage Temperature:  
HBxxxxHL = -20 to +125°C  
HXBxxxxHL = -50 to +125°C
2. Compliance to JEDEC-J-STD 020:  
i. Moisture Sensitive Level 1  
ii. Maximum peak Reflow Solder temperature 245°C
3. All parts come in 13" (330mm) Diameter Tape and reel - see page 4-5 for details
4. Header: Black Thermoset Plastic - Material flammability rating UL 94V-0
5. Lead Frame: Cooper Alloy
6. Underplate / Overplate: Tin electro-deposited over Nickel
7. Finish: Matte finish Tin solder

# Single and Quad 100BASE-TX SMD Modules

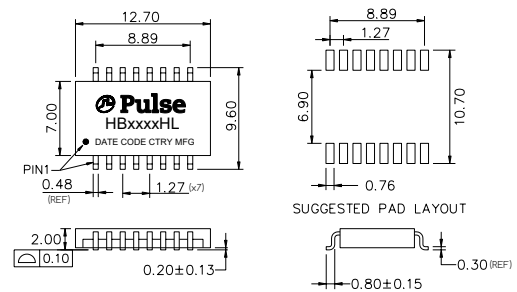
HB3005HLT, HXB2001HLT, HXB2002HLT, HB3004HLT, HB2003HLT, HB3006HLT, HB3002HLT, HB3003HLT

## Mechanicals

### HB2003HLT, HB3004/5HLT, HXB2001/2HLT



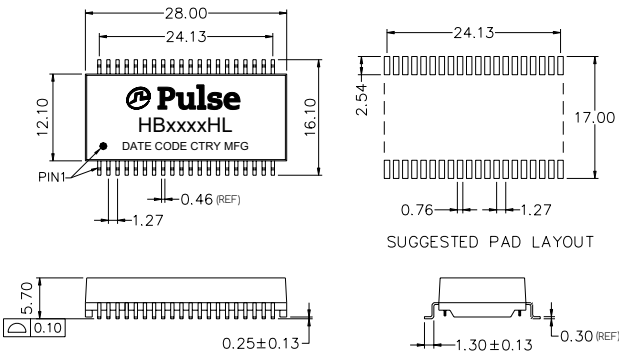
### HB3002HLT, HB3003HLT



**Dimensions:** mm

Unless otherwise specified, all tolerances are ± 0,25

### HB3006HLT

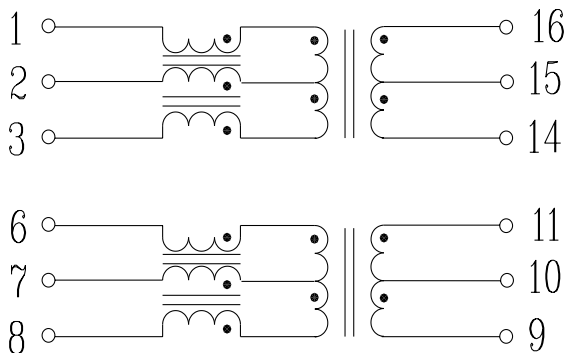


**Dimensions:** mm

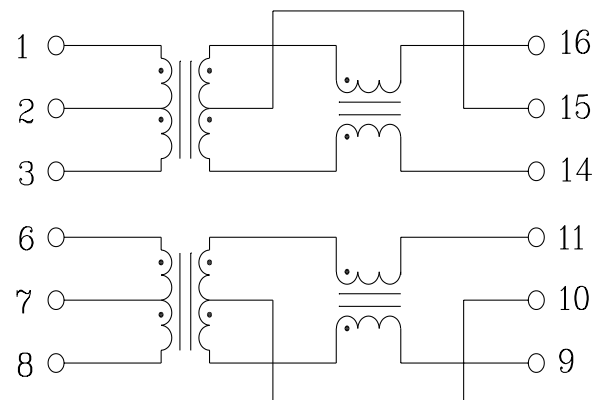
Unless otherwise specified, all tolerances are ± 0,25

## Schematics

### HB2003HLT



### HB3004HLT, HXB2002HLT

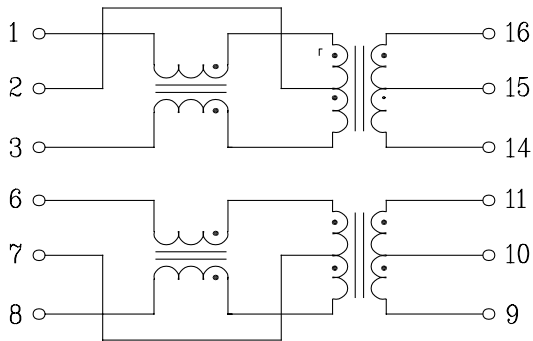


# Single and Quad 100BASE-TX SMD Modules

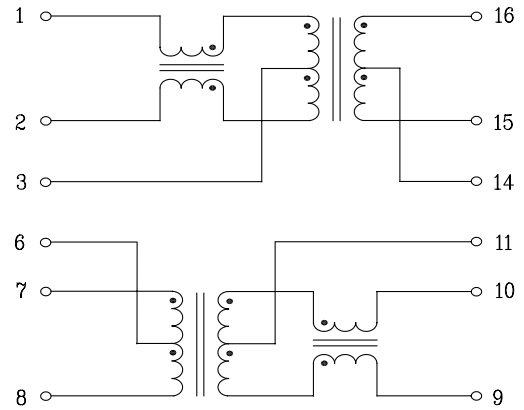
HB3005HLT, HXB2001HLT, HXB2002HLT, HB3004HLT, HB2003HLT,  
HB3006HLT, HB3002HLT, HB3003HLT

## Schematics

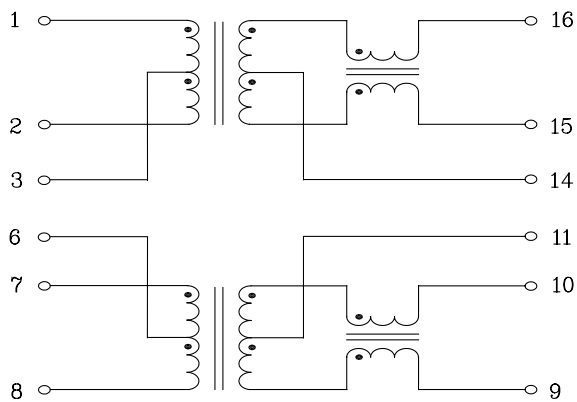
HB3005HLT, HXB2001HLT



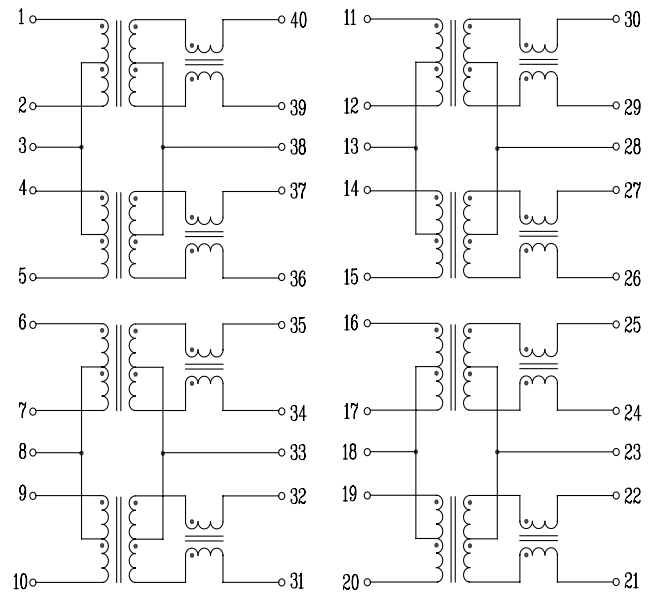
HB3003HLT



HB3002HLT



HB3006HLT

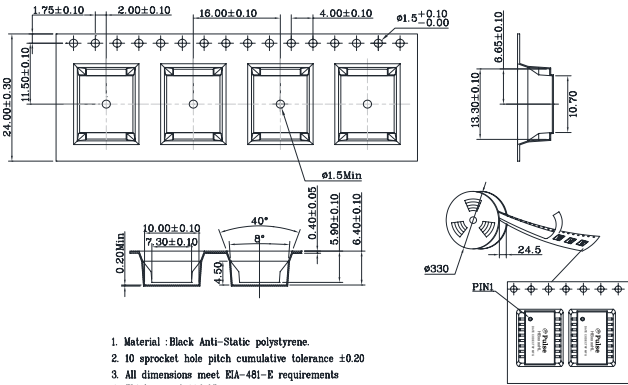


# Single and Quad 100BASE-TX SMD Modules

HB3005HLT, HXB2001HLT, HXB2002HLT, HB3004HLT, HB2003HLT, HB3006HLT, HB3002HLT, HB3003HLT

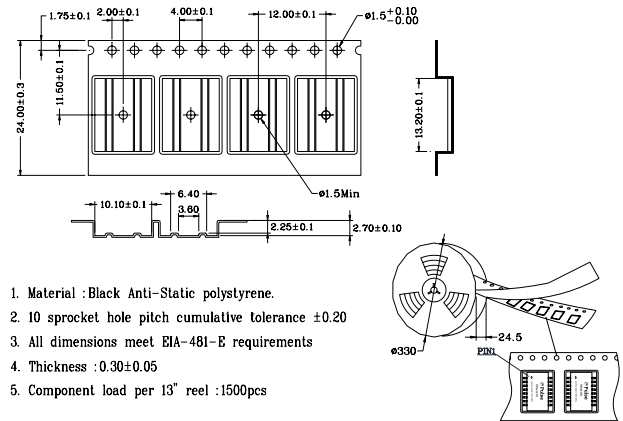
## Tape & Reel

### HB2003HLT, HB3004/5HLT, HXB2001/2HLT



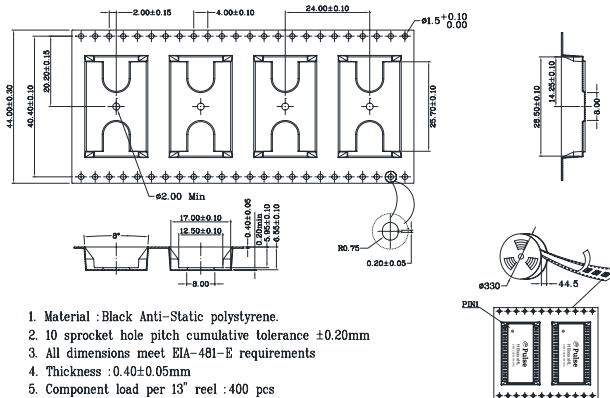
1. Material : Black Anti-Static polystyrene.
2. 10 sprocket hole pitch cumulative tolerance ±0.20
3. All dimensions meet EIA-481-E requirements
4. Thickness : 0.4±0.05mm
5. Component load per 13" reel : 600 pcs

### HB3002/3HLT



1. Material : Black Anti-Static polystyrene.
2. 10 sprocket hole pitch cumulative tolerance ±0.20
3. All dimensions meet EIA-481-E requirements
4. Thickness : 0.30±0.05
5. Component load per 13" reel : 1500pcs

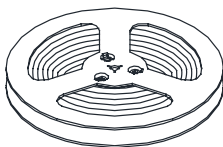
### HB3006HLT



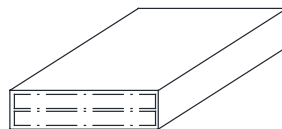
1. Material : Black Anti-Static polystyrene.
2. 10 sprocket hole pitch cumulative tolerance ±0.20mm
3. All dimensions meet EIA-481-E requirements
4. Thickness : 0.40±0.05mm
5. Component load per 13" reel : 400 pcs

## Carton Package

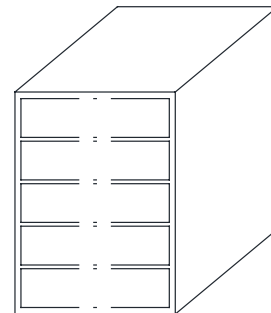
### HB2003HLT, HB3004/5HLT, HXB2001/2HLT



REEL



INNER BOX 347x347x82



OUTER CARTON: 375x375x470

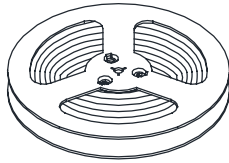
1. 1 REEL=600PCS
2. 1 INNER BOX=2 REELS=1200PCS
3. 1 OUTER CARTON=5 INNER BOXES=6000PCS

# Single and Quad 100BASE-TX SMD Modules

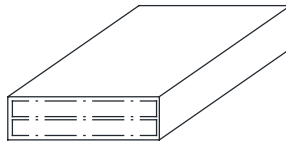
HB3005HLT, HXB2001HLT, HXB2002HLT, HB3004HLT, HB2003HLT,  
HB3006HLT, HB3002HLT, HB3003HLT

## Carton Package

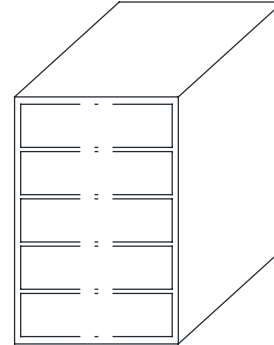
### HB3002/3HLT



REEL



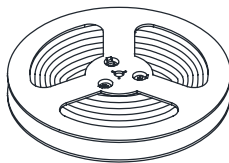
INNER BOX: 347x347x82



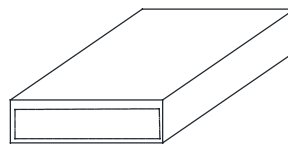
OUTER CARTON: 375x375x470

1. 1 REEL=1500PCS
2. 1 INNER BOX=2 REELS=3000PCS
3. 1 OUTER CARTON=5 INNER BOXES=15000PCS

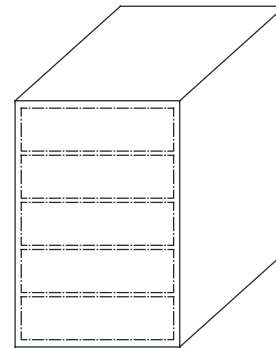
### HB3006HLT



REEL



INNER BOX: 347x347x82



OUTER CARTON: 375x375x470

1. 1 REEL=400PCS
2. 1 INNER BOX=1 REEL=400PCS
3. 1 OUTER CARTON=5 INNER BOXES=2000PCS

## For More Information:

Americas - [prodinfo\\_network\\_americas@yageo.com](mailto:prodinfo_network_americas@yageo.com) | Europe - [prodinfo\\_network\\_emea@yageo.com](mailto:prodinfo_network_emea@yageo.com) | Asia - [prodinfo\\_network\\_asia@yageo.com](mailto:prodinfo_network_asia@yageo.com)

Performance warranty of products offered on this data sheet is limited to the parameters specified. Data is subject to change without notice. Other brand and product names mentioned herein may be trademarks or registered trademarks of their respective owners. © Copyright, 2023. Pulse Electronics, Inc. All rights reserved.

YAGEO Corporation and its affiliates do not recommend the use of commercial, automotive, and/or COTS grade products for high reliability applications or manned space flight.

## X-ON Electronics

Largest Supplier of Electrical and Electronic Components

*Click to view similar products for [Audio Transformers](#) / [Signal Transformers](#) category:*

*Click to view products by [Pulse manufacturer](#):*

Other Similar products are found below :

[CU4S0506AT-2655-H1](#) [MGPWT-00449-P](#) [PE-64961](#) [1812WBT2-4](#) [BX1194WNL](#) [1879479-1](#) [PA1528ANL](#) [T1137NLT](#) [PE-65848FNLT](#)  
[H5019EFNL](#) [CX2045ALNLT](#) [TG1G-E201NV6LF](#) [MGPWT-00059-P](#) [MGPWT-00266-P](#) [MGPWT-00278-P](#) [MGPWT-00431-P](#) [TTC-100](#)  
[TTC-143-H](#) [TTC-5032-1](#) [4-1879391-0](#) [100213](#) [T1142NL](#) [TG1G-S001NZLF](#) [T1124NL](#) [1879732-1](#) [2-1879391-5](#) [MABA-010321-CT1A42](#)  
[TX1341NL](#) [H0013FNL](#) [H5020FNL](#) [H2009FNLT](#) [H5004NLT](#) [S553-5999-52-F](#) [SCMS7D43AY100PT1](#) [T5008NLT](#) [PE-68517T](#) [MGPWT-](#)  
[00339-P](#) [H5014FNLT](#) [TX1473NLT](#) [PE-69011NLT](#) [CX2043LNLT](#) [H7137FNLT](#) [H1259NLT](#) [TX1344NLT](#) [LM-LP-1005L](#) [H0013NLT](#)  
[S558-5500-JV](#) [TX1193NLT](#) [T7015NL](#) [T1124NLT](#)