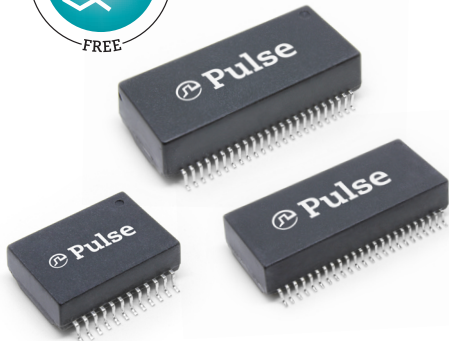


Single and Dual 2.5GBase-T PoE SMD Magnetic Modules

HXB4013HLT, HB4015HLT, HXB4016HLT, HXB4017HLT, HB4018HLT and HXB4019HLT



- Ⓢ Fully RoHS and Halogen Free
- Ⓢ Idea for Commercial/Industrial 2.5G Switches
- Ⓢ Supports 4 pair Power over Ethernet (PoE) up to 90W
- Ⓢ Meet or exceed IEEE802.3bz/at/bt
- Ⓢ Backward compatible with Gigabit PHYs
- Ⓢ Commercial and Industrial Temperature
- Ⓢ Reliable SMD packages support 245°C pk reflow
- Ⓢ All components supplied in Tape and Reel

Electrical Specification @ 25°C

Part Number*	Media side Inductance (@100KHz/0.1ve) uH min	Insertion Loss (dB max)		Return Loss (dB min)		PoE (Current Per Pair mA)	Operating Temperature (°C)	Isolation (Pri:Sec)	Note
		1-100 MHz	125 MHz	1-40MHz	40< f ≤ 125 MHz				
HB4013HLT	180	-1.0	-1.5	-16	-(16-10 log10(f /40))	600	0° to +70°	1500Vrms	60W PoE+
HB4018HLT	180	-1.0	-1.5	-16	-(16-10 log10(f /40))	600	0° to +70°	1500Vrms	DUAL / 60W PoE+
HB4015HLT	180	-1.0	-1.5	-16	-(16-10 log10(f /40))	600	0° to +70°	1500Vrms	60W / Surge DM 4.3KV
HXB4017HLT	180	-1.0	-1.5	-16	-(16-10 log10(f /40))	1000	-40° to +85°	1500Vrms	90W / Surge DM 3KV
HXB4016HLT	180	-1.0	-1.5	-16	-(16-10 log10(f /40))	1000	-40° to +85°	1500Vrms	90W PoE+
HXB4019HLT	180	-1.0	-1.5	-16	-(16-10 log10(f /40))	1000	-40° to +85°	1500Vrms	DUAL / 90W PoE+

Note: * Specifications listed above refer to the base component part number that is printed on the product - ie HXB4019HLT will be HXB4019HL

Process and Materials

Notes:

1. Storage Temperature:
HBxxxxHL = -20 to +125°C
HXBxxxxHL = -50 to +125°C
2. Compliance to JEDEC-J-STD 020:
 - i. Moisture Sensitive Level 1
 - ii. Maximum peak Reflow Solder temperature 245°C
3. All parts come in 13" (330mm) Diameter Tape and reel - see page 3-4 for details
4. Header: Black Thermoset Plastic - Material flammability rating UL 94V-0
5. Lead Frame: Cooper Alloy
6. Underplate / Overplate: Tin electro-deposited over Nickel
7. Finish: Matte finish Tin solder

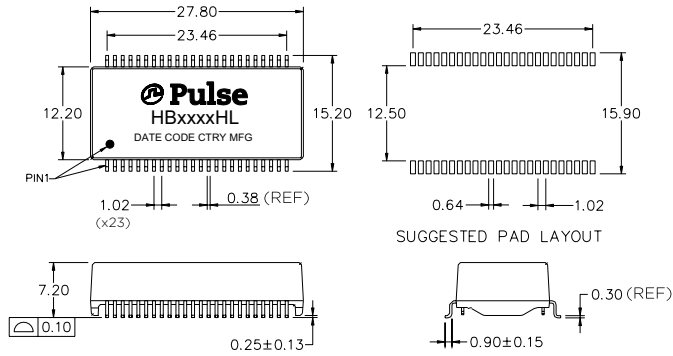
Single and Dual 2.5GBase-T PoE SMD Magnetic Modules

HXB4013HLT, HB4015HLT, HXB4016HLT, HXB4017HLT, HB4018HLT and HXB4019HLT

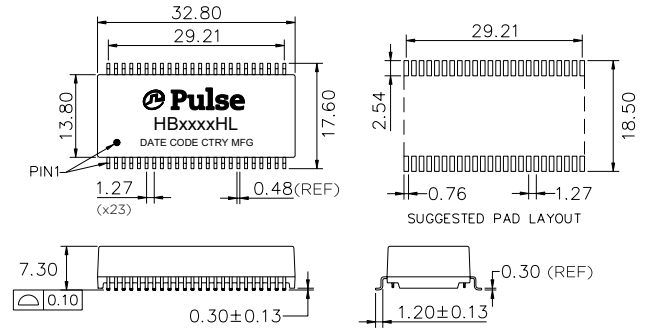


Mechanicals

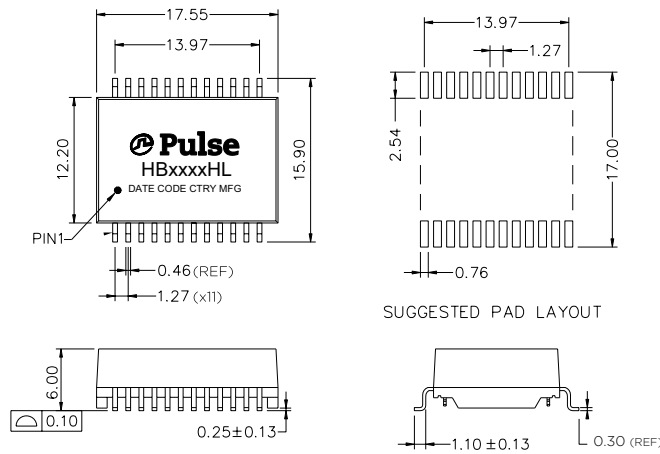
HB4018HLT



HXB4019HLT



HB401xHLT, HXB401xHLT

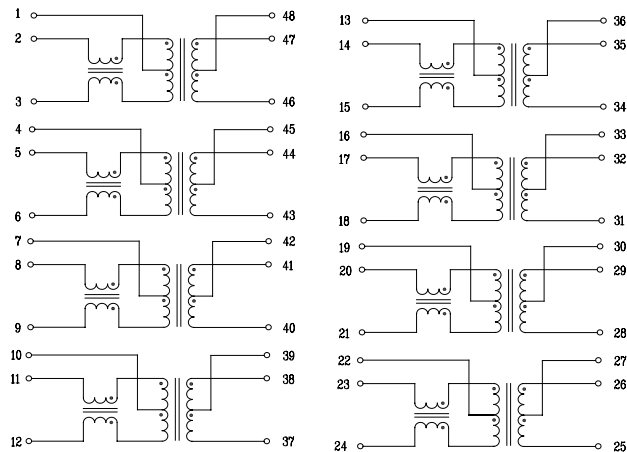


Dimensions: mm

Unless otherwise specified, all tolerances are ± 0,25

Schematic

HB4018HLT, HXB4019HLT



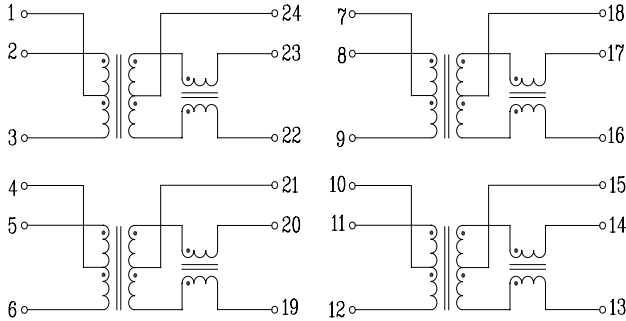
Single and Dual 2.5GBase-T PoE SMD Magnetic Modules

HB4013HLT, HB4015HLT, HXB4016HLT, HXB4017HLT, HB4018HLT and HXB4019HLT

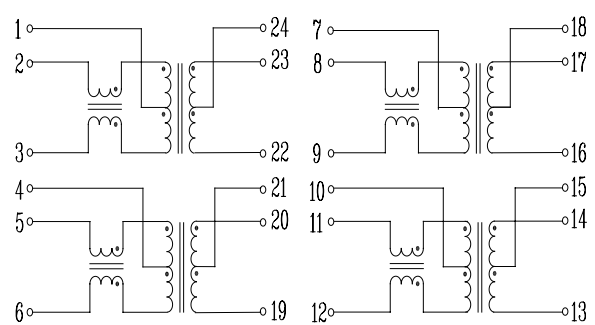


Schematics

HB4015HLT

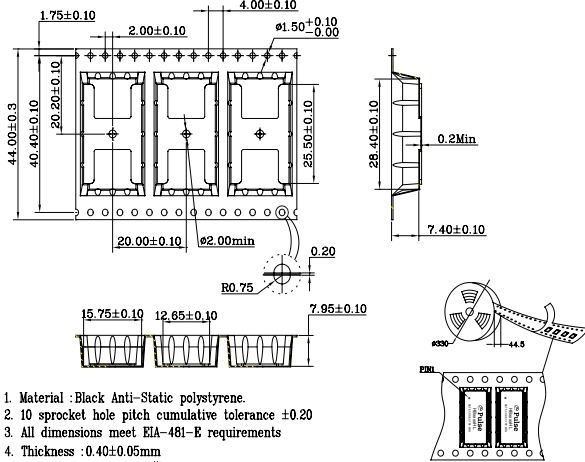


HB4013HLT, HXB4016HLT, HXB4017HLT

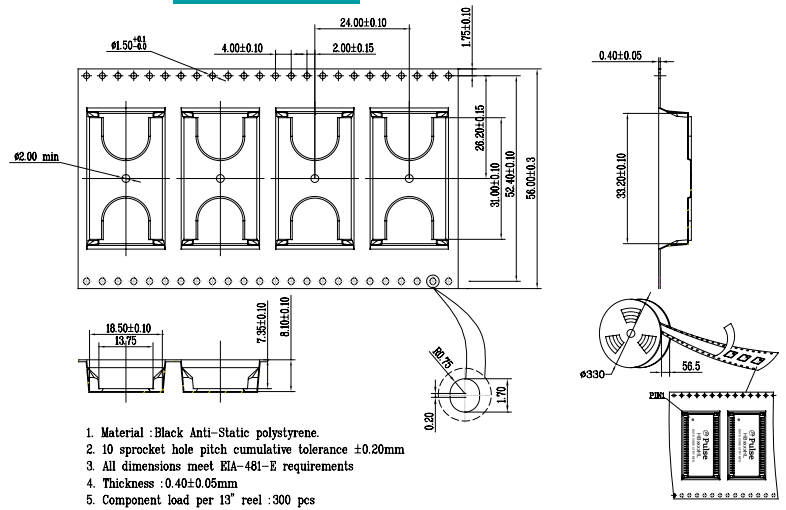


Tape & Reel

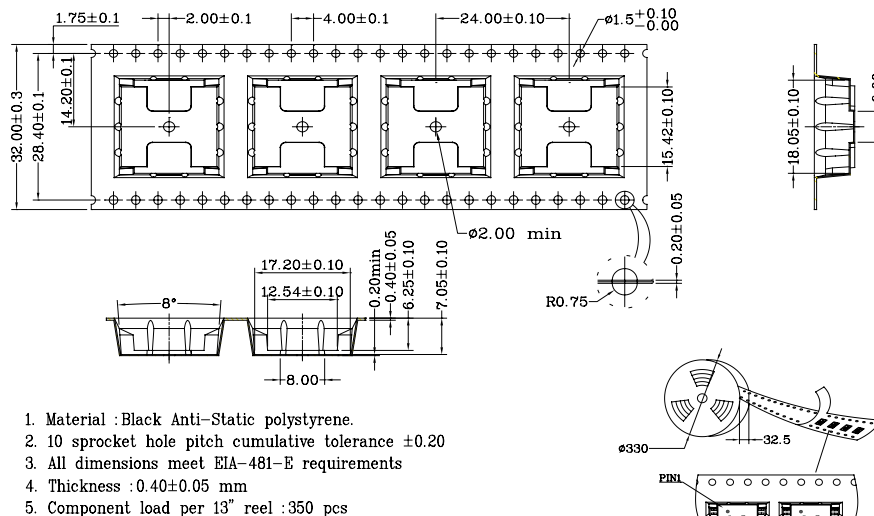
HB4018HLT



HXB4019HLT



HB4013HLT, HXB4016HLT, HXB4017HLT, HB4015HLT

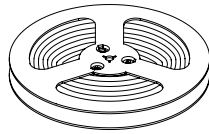


Single and Dual 2.5GBase-T PoE SMD Magnetic Modules

HXB4013HLT, HB4015HLT, HXB4016HLT, HXB4017HLT, HB4018HLT and HXB4019HLT

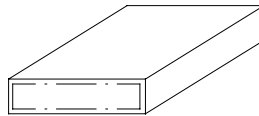
Carton Package

HB4013HLT, HB4015HLT, HXB4016HLT, HXB4017HLT, HB4018HLT

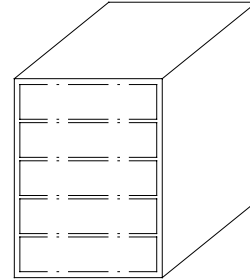


REEL

1. 1 REEL=350PCS
2. 1 INNER BOX=1 REEL=350PCS
3. 1 OUTER CARTON=5 INNER BOXES=1750PCS

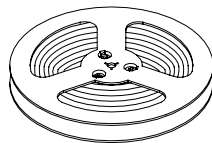


INNER BOX: 347x347x82



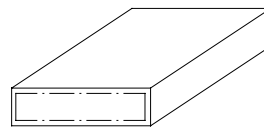
OUTER CARTON: 375x375x470

HXB4019HLT

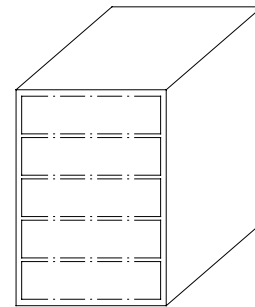


REEL

1. 1 REEL=300PCS
2. 1 INNER BOX=1 REEL=300PCS
3. 1 OUTER CARTON=5 INNER BOXES=1500PCS



INNER BOX: 347x347x82



OUTER CARTON: 375x375x470

For More Information:

Americas - prodinfo_network_americas@yageo.com | Europe - prodinfo_network_emea@yageo.com | Asia - prodinfo_network_asia@yageo.com

Performance warranty of products offered on this data sheet is limited to the parameters specified. Data is subject to change without notice. Other brand and product names mentioned herein may be trademarks or registered trademarks of their respective owners. © Copyright, 2023. Pulse Electronics, Inc. All rights reserved.

YAGEO Corporation and its affiliates do not recommend the use of commercial, automotive, and/or COTS grade products for high reliability applications or manned space flight.

X-ON Electronics

Largest Supplier of Electrical and Electronic Components

Click to view similar products for [Audio Transformers](#) / [Signal Transformers](#) category:

Click to view products by [Pulse manufacturer](#):

Other Similar products are found below :

[CU4S0506AT-2655-H1](#) [MGPWT-00449-P](#) [PE-64961](#) [1812WBT2-4](#) [BX1194WNL](#) [1879479-1](#) [PA1528ANL](#) [T1137NLT](#) [PE-65848FNLT](#)
[H5019EFNL](#) [CX2045ALNLT](#) [TG1G-E201NV6LF](#) [MGPWT-00059-P](#) [MGPWT-00266-P](#) [MGPWT-00278-P](#) [MGPWT-00431-P](#) [TTC-100](#)
[TTC-143-H](#) [TTC-5032-1](#) [4-1879391-0](#) [100213](#) [T1142NL](#) [TG1G-S001NZLF](#) [T1124NL](#) [1879732-1](#) [2-1879391-5](#) [MABA-010321-CT1A42](#)
[TX1341NL](#) [H0013FNL](#) [H5020FNL](#) [H2009FNLT](#) [H5004NLT](#) [S553-5999-52-F](#) [SCMS7D43AY100PT1](#) [T5008NLT](#) [PE-68517T](#) [MGPWT-](#)
[00339-P](#) [H5014FNLT](#) [TX1473NLT](#) [PE-69011NLT](#) [CX2043LNLT](#) [H7137FNLT](#) [H1259NLT](#) [TX1344NLT](#) [LM-LP-1005L](#) [H0013NLT](#)
[S558-5500-JV](#) [TX1193NLT](#) [T7015NL](#) [T1124NLT](#)