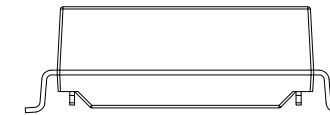
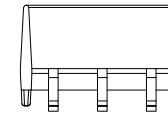
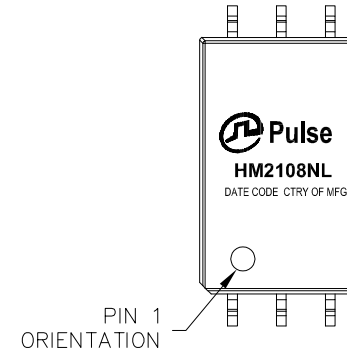




NOTES:

1. ROHS COMPLIANT
2. STORAGE TEMPERATURE: -50°C TO +125°C
3. COMPLIANCE TO J-STD:
 - A. J-STD-002: SOLDERABILITY AT 245°C REFLOW PROFILE
 - B. J-STD-020: LEVEL 1, NO MOISTURE SENSITIVE
 - C. J-STD-075: R7, 245°C MAXIMUM THROUGH REFLOW SOLDER
4. TO ORDER TAPE & REEL PACKAGING ADD A "T" SUFFIX TO THE PART NUMBER(i.e HXXXXXXXXNL BECOMES HXXXXXXXXNLT).
5. PACKING SPECIFICATION:
 REEL SIZE: 330mm
 TAPE WIDTH: 32mm
 TAPE PITCH: 16mm

 COMPONENTS PER REEL: 600 pcs

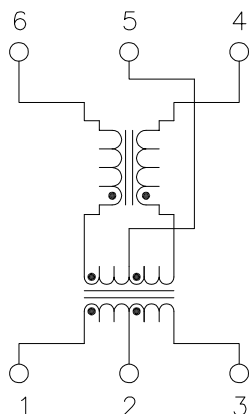


FINAL OUTLINE

PRODUCT DESCRIPTION	TLA DRAWING	PS DRAWING	SHEET	PART NO.	DATASHEET REV.
TRANSFORMER/CMC,4.3kVDC ISO,SGL,SMT	HM2108NL-P3	PS-00249.003-01	1 OF 5	HM2108NL	D



ELECTRICAL CHARACTERISTICS AT +25°C UNLESS OTHER SPECIFIED
(FOR REFERENCE ONLY. USED FOR CUSTOMER INFORMATION.)

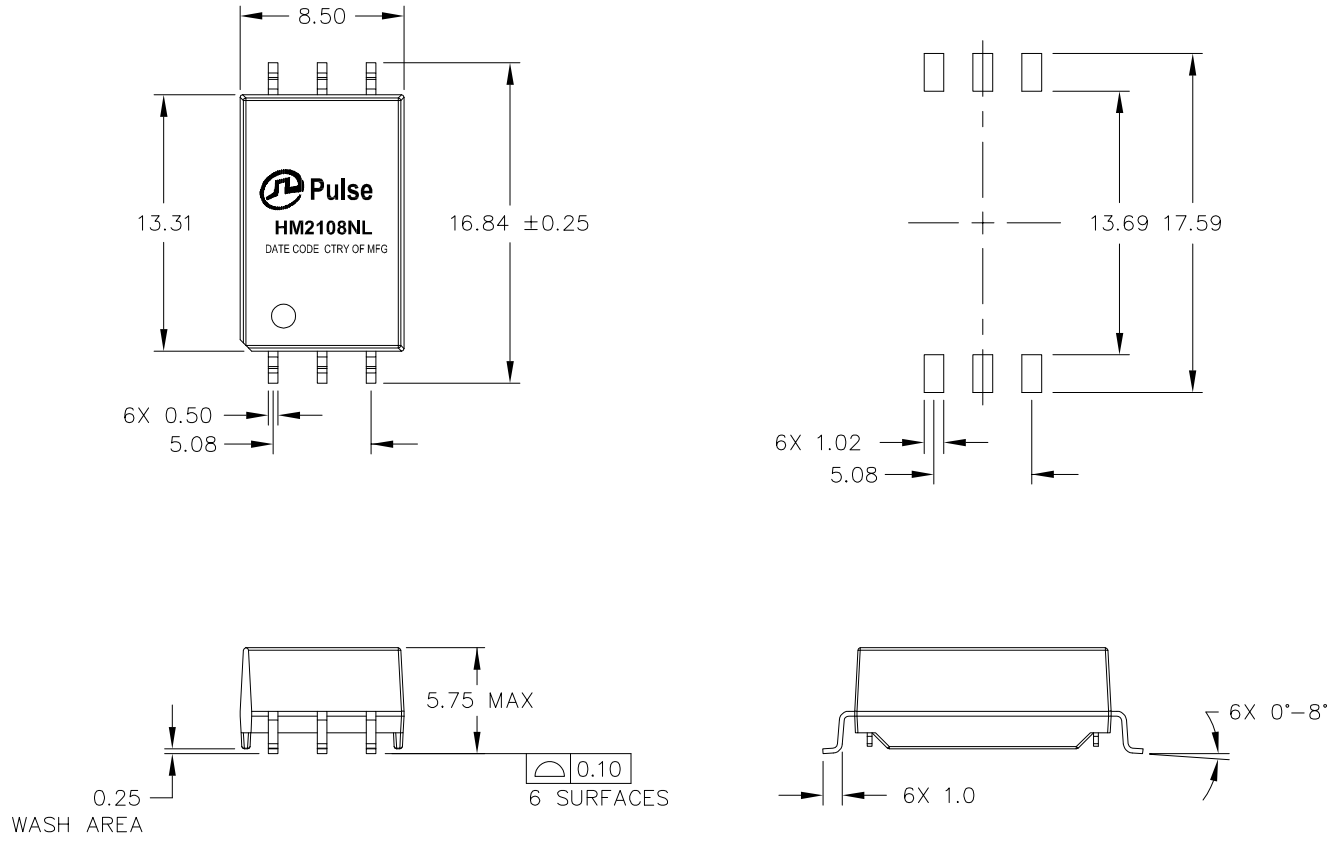


SCHEMATIC

PARAMETER	SPECIFICATIONS	
QUALIFICATION	PER AEC-Q200	
DESIGN CONSTRUCTION	BASIC INSULATION PER ISO6469/IEC60664	
CREEPAGE DISTANCE	> 11mm	
OPERATING TEMPERATURE	-40°C TO +125°C	
TURNS RATIO	1.00 ± 2%	
POLARITY	PER SCHEMATIC	
DC RESISTANCE	TRANSFORMER SIDE	CM CHOKE SIDE
	0.45 OHMS MAX	0.85 OHMS MAX
▽ INDUCTANCE (OCL) AT 100 kHz, 100 mV	135 uH MIN, 370 uH MAX (-40°C ≤ T ≤ -30°C) 150 uH MIN, 370 uH MAX (-30°C < T ≤ 125°C)	
LEAKAGE INDUCTANCE	0.50 uH MAX @ 100 kHz	
▽ INSERTION LOSS	0.35 dB MAX @ 4 MHz	
RETURN LOSS (Z OUT = 100 OHM ±1%)	20 dB MIN @ 4 MHz	
COMMON MODE REJECTION RATIO	1-10 MHz	10-1000 MHz
	-35 dB MIN	-20 dB MIN
▽ INPUT - OUTPUT ISOLATION	4300 VDC FOR 60 SECONDS WITH 1.0 mA MAX OF LEAKAGE CURRENT	
INSULATION RESISTANCE	400 MEGAOHMS MINIMUM	
WORKING VOLTAGE	1000 VDC FOR 15 YEARS	

NOTE: "▽" IS SPECIAL CHARACTERISTIC.

PRODUCT DESCRIPTION	TLA DRAWING	PS DRAWING	SHEET	PART NO.	DATASHEET REV.
TRANSFORMER/CMC,4.3kVDC ISO,SGL,SMT	HM2108NL-P3	PS-00249.003-01	2 OF 5	HM2108NL	D

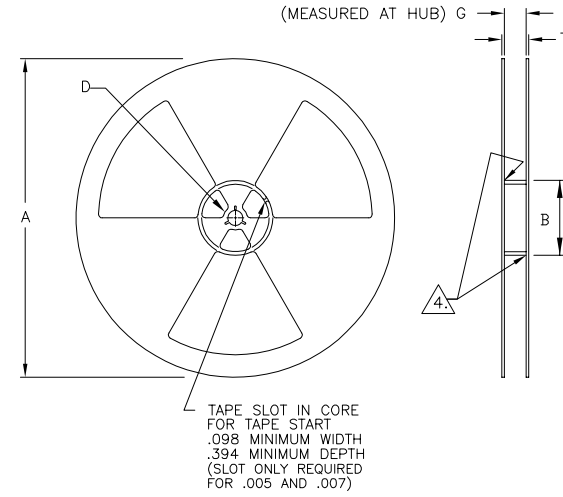
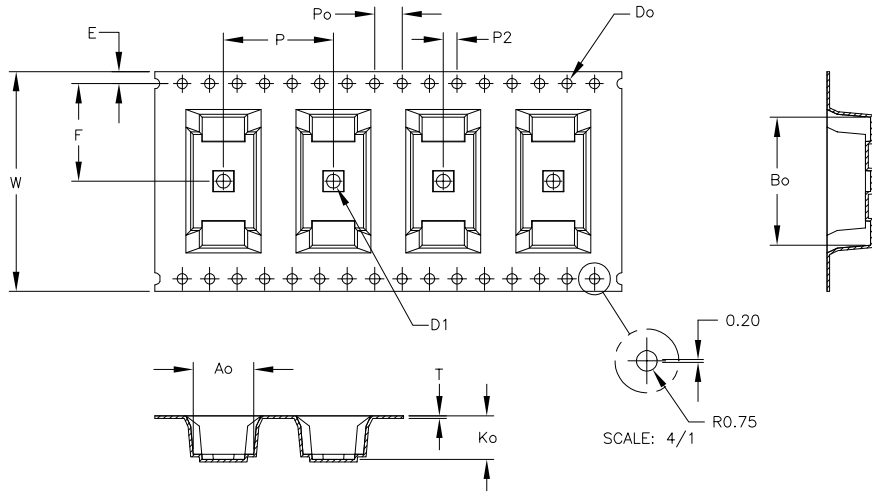


DIMENSIONS ARE IN MILLIMETERS WITH THE FOLLOWING TOLERANCES:
 X.X= ±0.25
 X.XX= ±0.13

© Copyright, 2017. Pulse Electronics Corp. All rights reserved. Pulse confidential & proprietary. (09/01/17)

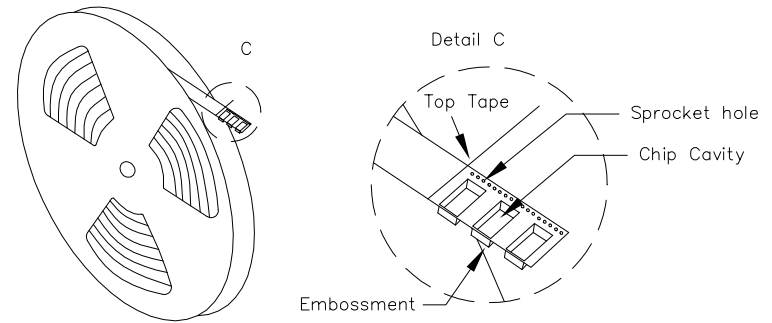
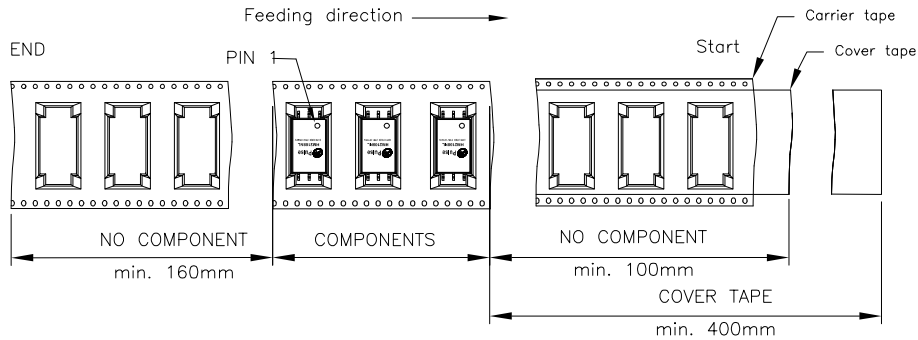
PRODUCT DESCRIPTION	TLA DRAWING	PS DRAWING	SHEET	PART NO.	DATASHEET REV.
TRANSFORMER/CMC,4.3kVDC ISO,SGL,SMT	HM2108NL-P3	PS-00249.003-01	3 OF 5	HM2108NL	D

USER DIRECTION OF FEED
→



ITEM	W	Ao	Bo	Ko	K1	P	F	E	Do	D1	Po	P2	T
DIM	32.00 ±0.30	8.8 ±0.10	18.6 ±0.10	6.35 ±0.10		16.00 ±0.10	14.2 ±0.10	1.75 ±0.10	1.50 +0.10 -0.00	2.0 +0.10 -0.00	4.00 ±0.10	2.00 ±0.10	0.40 ±0.05

	A	B	D	T	G	G
Tolerance		min.	min.	max.	min.	max.
Tape width mm	330.00	100.00	20.20	38.4	32.4	34.4



© Copyright, 2017. Pulse Electronics Corp. All rights reserved. Pulse confidential & proprietary. (09/01/17)

PRODUCT DESCRIPTION	TLA DRAWING	PS DRAWING	SHEET	PART NO.	DATASHEET REV.
TRANSFORMER/CMC,4.3kVDC ISO,SGL,SMT	HM2108NL-P3	PS-00249.003-01	4 OF 5	HM2108NL	D



REVISION HISTORY:

REV	DESCRIPTION
A	NEW DS
B	CHANGE QUALIFICATION AND ISOLATION; ADD DESIGN CONSTRUCTION AND CREEPAGE DISTANCE, INSULATION RESISTANCE
C	UPDATE OCL AND ADD PACKING SPECIFICATION
D	ADD SC WITH "▽" AND UPDATE OCL ; AND CHANGE DIMENSION FROM 6X 1.00 TO 6X 1.0

© Copyright, 2017. Pulse Electronics Corp. All rights reserved. Pulse confidential & proprietary. (09/01/17)

PRODUCT DESCRIPTION	TLA DRAWING	PS DRAWING	SHEET	PART NO.	DATASHEET REV.
TRANSFORMER/CMC,4.3kVDC ISO,SGL,SMT	HM2108NL-P3	PS-00249.003-01	5 OF 5	HM2108NL	D

X-ON Electronics

Largest Supplier of Electrical and Electronic Components

Click to view similar products for [Audio Transformers](#) / [Signal Transformers](#) category:

Click to view products by [Pulse manufacturer](#):

Other Similar products are found below :

[CX2041NLT](#) [MGPWT-00449-P](#) [PE-64961](#) [H1302FNLT](#) [H5008FNL](#) [H5012FNL](#) [H5020FNLT](#) [H5077NLT](#) [H5079NLT](#) [H5084FNLT](#)
[B78476A9558A003](#) [1812WBT2-4](#) [1879479-1](#) [HX2260FNL](#) [HX5014FNL](#) [EX2024FNL](#) [FL1066](#) [T1137NLT](#) [T3012NL](#) [PE-65812FNL](#) [PE-65848FNLT](#) [H1174FNL](#) [H1302FNL](#) [H5015FNL](#) [H5019EFNL](#) [H5062FNLT](#) [CX2047LNL](#) [MGPWT-00059-P](#) [MGPWT-00266-P](#) [MGPWT-00278-P](#) [MGPWT-00431-P](#) [TTC-100](#) [TTC-143-H](#) [TTC-5032-1](#) [BX1194WNLT](#) [HX1234NLT](#) [HX5008FNLT](#) [HX5019FNL](#) [HX5084NL](#) [3-1879385-5](#) [TX1263NLT](#) [4-1879391-0](#) [T1142NL](#) [HX6101FNL](#) [HX5084FNL](#) [HX1148NL](#) [HX5020FNLT](#) [HX5014FNLT](#) [T1124NL](#)
[1879732-1](#)