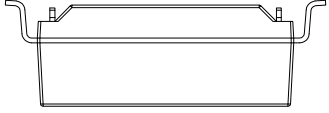
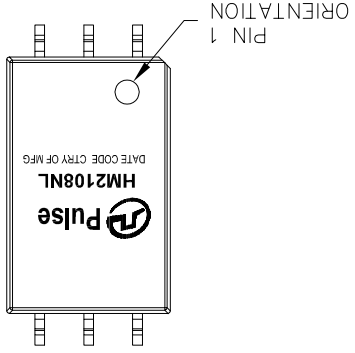




NOTES:

1. ROHS COMPLIANT
2. STORAGE TEMPERATURE: -50°C TO +125°C
3. COMPLIANCE TO J-STD:
 - A. J-STD-002: SOLDERABILITY AT 245°C REFLOW PROFILE
 - B. J-STD-020: LEVEL 1, NO MOISTURE SENSITIVE
 - C. J-STD-075: R7, 245°C MAXIMUM THROUGH REFLOW SOLDER
4. TO ORDER TAPE & REEL PACKAGING ADD A "T" SUFFIX TO THE PART NUMBER (i.e. HXXXXXXXXNL BECOMES HXXXXXXXXNLT).
5. PACKING SPECIFICATION:
 - REEL SIZE: 330mm
 - TAPE WIDTH: 32mm
 - TAPE PITCH: 16mm
 - COMPONENTS PER REEL: 600 pcs



FINAL OUTLINE

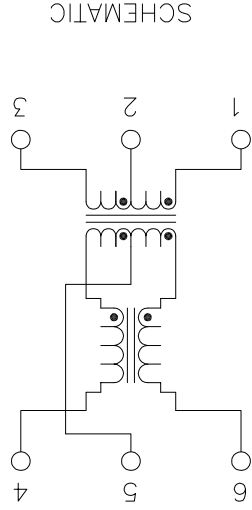
© Copyright, 2017. Pulse Electronics Corp. All rights reserved. Pulse confidential & proprietary. (09/01/17)

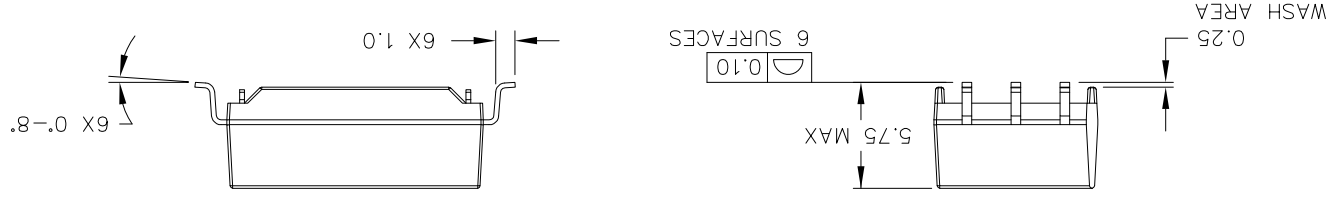
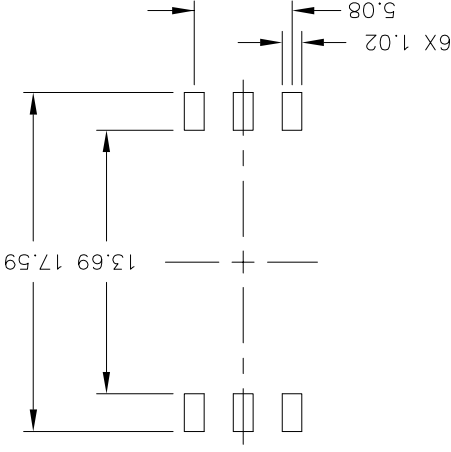
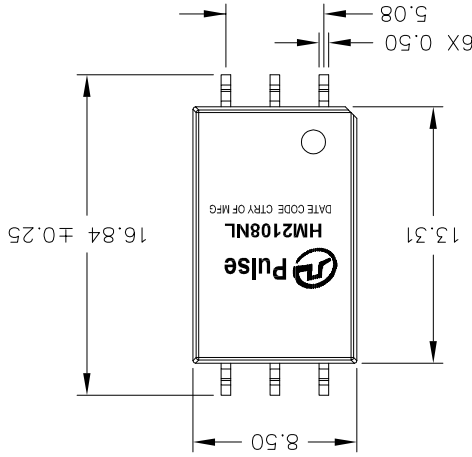
| | | | | | |
|-------------------------------------|-------------|-----------------|--------|----------|----------------|
| PRODUCT DESCRIPTION | TLA DRAWING | PS DRAWING | SHEET | PART NO. | DATASHEET REV. |
| TRANSFORMER/CMC,4.3kVDC ISO,SGL,SMT | HM2108NL-P3 | PS-00249.003-01 | 1 OF 5 | HM2108NL | D |

ELECTRICAL CHARACTERISTICS AT +25°C UNLESS OTHER SPECIFIED
(FOR REFERENCE ONLY. USED FOR CUSTOMER INFORMATION.)

| | | | |
|--|---|---------------------------------------|--|
| PARAMETER | | SPECIFICATIONS | |
| QUALIFICATION | | PER AEC-Q200 | |
| DESIGN CONSTRUCTION | | BASIC INSULATION PER ISO6469/IEC60664 | |
| CREEPAGE DISTANCE | | > 1mm | |
| OPERATING TEMPERATURE | | -40°C TO +125°C | |
| TURNS RATIO | | 1.00 ± 2% | |
| POLARITY | | PER SCHEMATIC | |
| DC RESISTANCE | | TRANSFORMER SIDE | 0.45 OHMS MAX |
| | | CM CHOKE SIDE | 0.85 OHMS MAX |
| INDUCTANCE (OCL) AT 100 KHZ, 100 mV | 135 uH MIN, 370 uH MAX (-40°C ≤ T ≤ -30°C) | | 150 uH MIN, 370 uH MAX (-30°C ≤ T ≤ 125°C) |
| | LEAKAGE INDUCTANCE | | 0.50 uH MAX @ 100 KHZ |
| INSERTION LOSS | 0.35 dB MAX @ 4 MHZ | | |
| RETURN LOSS (Z OUT = 100 OHM ± 1%) | 20 dB MIN @ 4 MHZ | | |
| COMMON MODE REJECTION RATIO | 1-10 MHZ | -35 dB MIN | |
| | 10-1000 MHZ | -20 dB MIN | |
| INPUT - OUTPUT ISOLATION | 4300 VDC FOR 60 SECONDS WITH 1.0 mA MAX OF LEAKAGE CURRENT | | |
| INSULATION RESISTANCE | 400 MEGOHMS MINIMUM | | |
| WORKING VOLTAGE | 1000 VDC FOR 15 YEARS | | |

NOTE: "△" IS SPECIAL CHARACTERISTIC.





DIMENSIONS ARE IN MILLIMETERS WITH THE FOLLOWING
 TOLERANCES:
 X.X = ±0.25
 X.XX = ±0.13

© Copyright, 2017, Pulse Electronics Corp. All rights reserved. Pulse confidential & proprietary. (09/01/17)

| | | | | | |
|--------------------------------------|-------------|-----------------|--------|----------|----------------|
| PRODUCT DESCRIPTION | TLA DRAWING | PS DRAWING | SHEET | PART NO. | DATASHEET REV. |
| TRANSFORMER/C/MC,4.3KVDC ISO,SGL,SMT | HM2108NL-P3 | PS-00249.003-01 | 3 OF 5 | HM2108NL | D |



REVISION HISTORY:

| REV | DESCRIPTION |
|-----|---|
| A | NEW DS |
| B | CHANGE QUALIFICATION AND ISOLATION; ADD DESIGN CONSTRUCTION AND CREEPAGE DISTANCE, INSULATION RESISTANCE |
| C | UPDATE OCL AND ADD PACKING SPECIFICATION |
| D | ADD SC WITH "△" AND UPDATE OCL ; AND CHANGE DIMENSION FROM 6X 1.00 TO 6X 1.0 |
| | |
| | |

© Copyright, 2017. Pulse Electronics Corp. All rights reserved. Pulse confidential & proprietary. (09/01/17)

| PRODUCT DESCRIPTION | TLA DRAWING | PS DRAWING | SHEET | PART NO. | DATASHEET REV. |
|-------------------------------------|-------------|-----------------|--------|----------|----------------|
| TRANSFORMER/CMC,4.3KVDC ISO,SGL,SMT | HM2108NL-F3 | PS-00249.003-01 | 5 OF 5 | HM2108NL | D |

X-ON Electronics

Largest Supplier of Electrical and Electronic Components

Click to view similar products for [Pulse Transformers](#) category:

Click to view products by [Pulse manufacturer](#):

Other Similar products are found below :

[IF-18-0269-N](#) [PHT-068](#) [PT5010](#) [PE-65457NLT](#) [T60403-D4721-X088](#) [H1183NLT](#) [CTX33-18971-R](#) [HM2108NLT](#) [PA1825NLT](#)
[HM0068ANLT](#) [PE-6292](#) [P0584ANL](#) [CX2044LNL](#) [PG1427.001NLT](#) [750313723](#) [TGMR-512V6LF](#) [HM1331NL](#) [TGMR-430V8LF](#) [TGMR-](#)
[501V6LF](#) [76615/1C](#) [B82804A0304A225](#) [TGM-040P3RL](#) [TGMR-Q440V8LF](#) [TGM-450NFRL](#) [IT 238](#) [HM41-11210LF](#) [TGM-210NSRL](#)
[TGM-240NSRL](#) [TGM-240NSLF](#) [TGM-030P3RL](#) [CTX16-17360](#) [ITNA-0239-D202](#) [TGM-H280V8LF](#) [TGM-340NARL](#) [T60403-D4097-](#)
[X052](#) [ITRB-0239-D502](#) [TGM-H240V8LF](#) [78601/2JC-R](#) [TGAD-292NARL](#) [HX6096NLT](#) [78601/2MC-R](#) [T60403-D4215-X177](#) [78613/1JC](#)
[600PA](#) [H1183NL](#) [TGMR-502V6LF](#) [CTX02-13664](#) [TGMR-380V6LF](#) [T60403-F5046-X008](#) [TGM-H260V8LF](#)