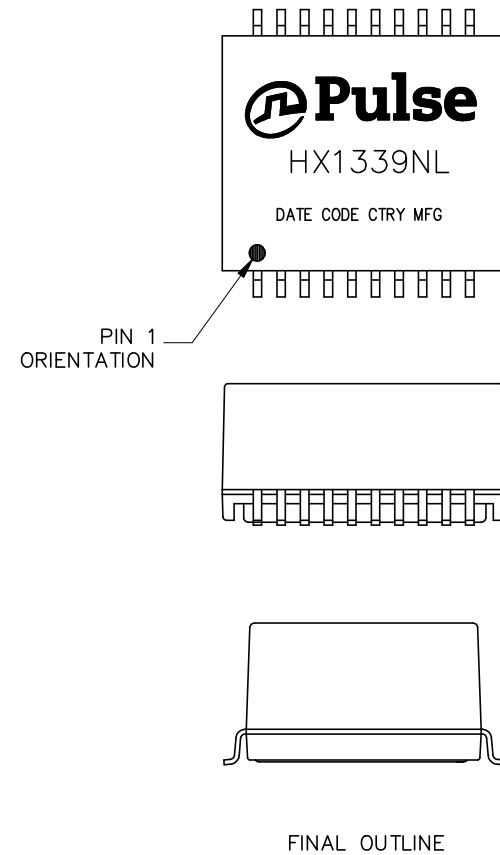




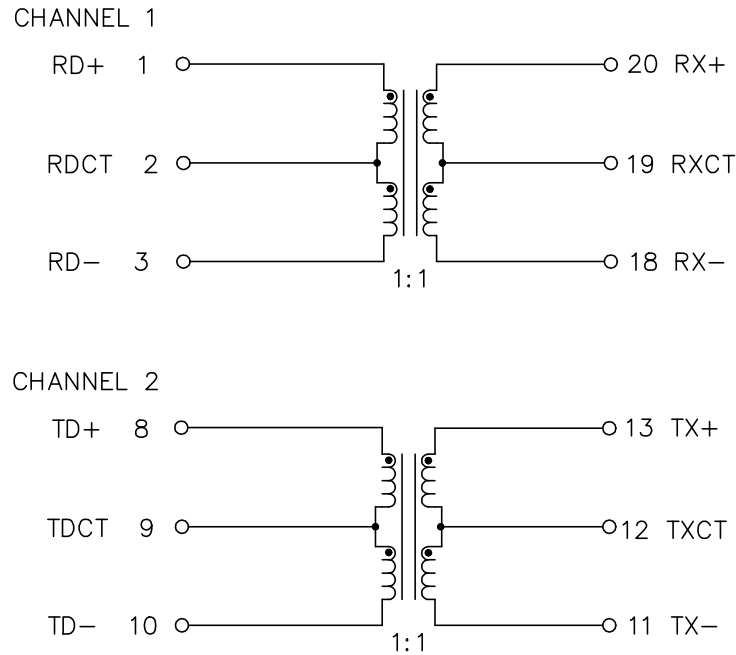
NOTES:

1. ROHS COMPLIANT
2. STORAGE TEMPERATURE: -50°C TO +125°C
3. COMPLIANCE TO J-STD:
 - A. J-STD-002: SOLDERABILITY AT 245°C REFLOW PROFILE
 - B. J-STD-020: LEVEL 1, NO MOISTURE SENSITIVE
 - C. J-STD-075: R7, 245°C MAXIMUM THROUGH REFLOW SOLDER
4. TO ORDER TAPE & REEL PACKAGING ADD A "T" SUFFIX TO THE PART NUMBER(i.e HXXXXXXNL BECOMES HXXXXXXNLT).
5. PACKING SPECIFICATION:
 REEL SIZE: 330 mm TAPE WIDTH: 24 mm
 TAPE PITCH: 24mm
 COMPONENTS PER REEL: 250 pcs

SUPPLEMENTARY INSULATION FOR A PRIMARY CIRCUIT AS DEFINED BY IEC61010-1
 MEET REINFORCE INSULATION BY EN60950
 INSULATION CLASS A, 105°C.
 WORKING VOLTAGE 500VAC,
 OVERVOLTAGE CATEGORY IV
 POLLUTION DEGREE 2
 CREEPAGE DISTANCE >10MM
 CLEARANCE DISTANCE >7MM



PRODUCT DESCRIPTION	TLA DRAWING	PS DRAWING	SHEET	PART NO.	DATASHEET REV.
MDL,SIN,100D,1: 1,SM,OH	HX1339NL-10	PS-0020.001-D	1 OF 4	HX1339NL	D



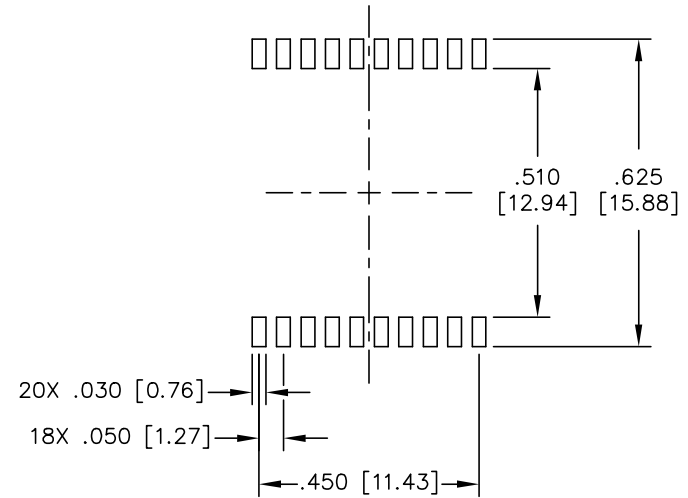
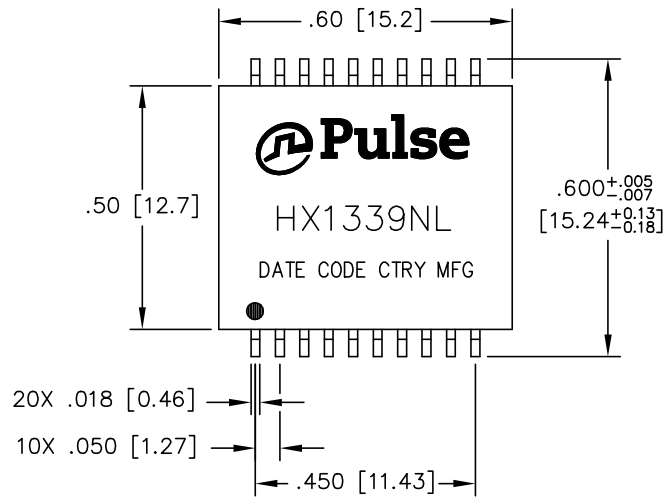
SCHEMATIC

ELECTRICAL CHARACTERISTICS AT +25°C UNLESS OTHER SPECIFIED
MEETS IEEE 802.3 SPECIFICATION

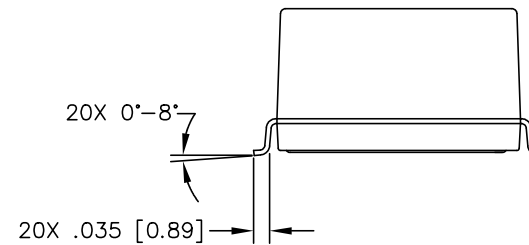
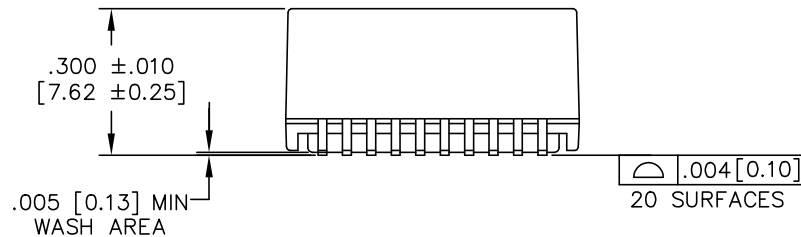
PARAMETER	SPECIFICATIONS					
OPERATION TEMP	-40°C TO +85°C					
TURNS RATIO	1 : 1 ±2%					
POLARITY	PER SCHEMATIC					
OCL, TRANSMIT CHANNEL -40 TO +85 °C	350 uH MIN. AT 100KHz, 0.1VRMS WITH 8mA DC BIAS					
INSERTION LOSS	0.1-30 MHz	60 MHz	80 MHz	100 MHz		
	-1.0 dB MAX	-2.0 dB MAX	-3.0 dB MAX	-4.0 dB MAX		
RETURN LOSS (Z OUT = 100 OHM ±15%)	5 MHz	30 MHz	50 MHz	60 MHz	80 MHz	100 MHz
	-18 dB MIN	-9 dB MIN	-5.5 dB MIN	-4.5 dB MIN	-3 dB MIN	-2 dB MIN
CROSSTALK (TX-RX)	1 MHz		30 MHz	60 MHz	100 MHz	
	-45 dB MIN		-30 dB MIN	-27 dB MIN	-25 dB MIN	
DIFFERENTIAL TO COMMON MODE REJECTION	30 MHz		60 MHz	100 MHz	200 MHz	
	-36 dB MIN		-32 dB MIN	-30 dB MIN	-25 dB MIN	
INPUT - OUTPUT ISOLATION	4500VAC FOR 60 SECONDS					

© Copyright, 2019. Pulse Electronics Corp. All rights reserved. Pulse confidential & proprietary. (01/28/19)

PRODUCT DESCRIPTION	TLA DRAWING	PS DRAWING	SHEET	PART NO.	DATASHEET
MDL,SIN,100D,1:1,SM,OH	HX1339NL-10	PS-0020.001-D	2 OF 4	HX1339NL	D



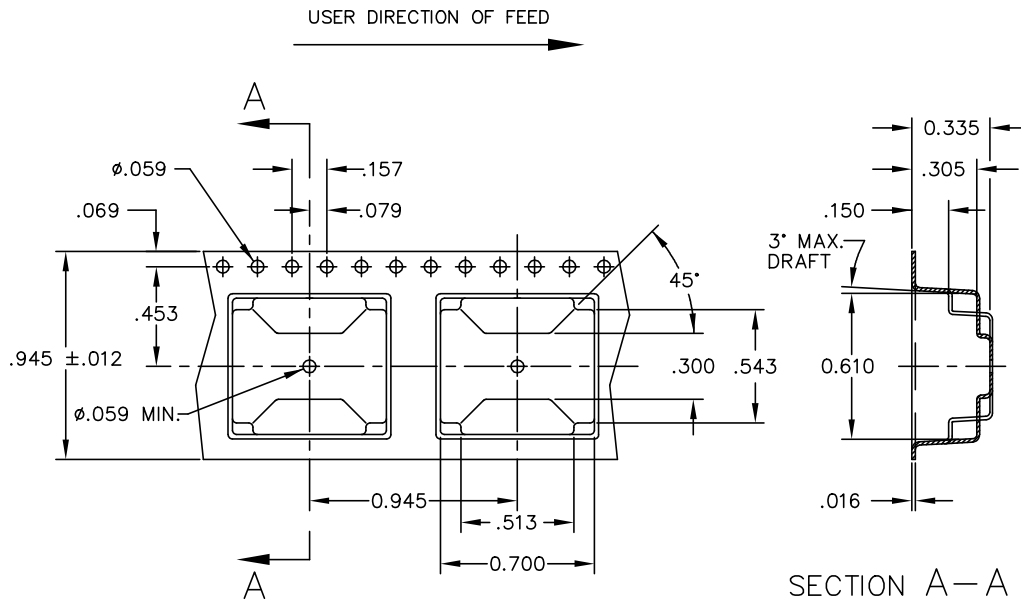
SUGGESTED LAND PATTERN



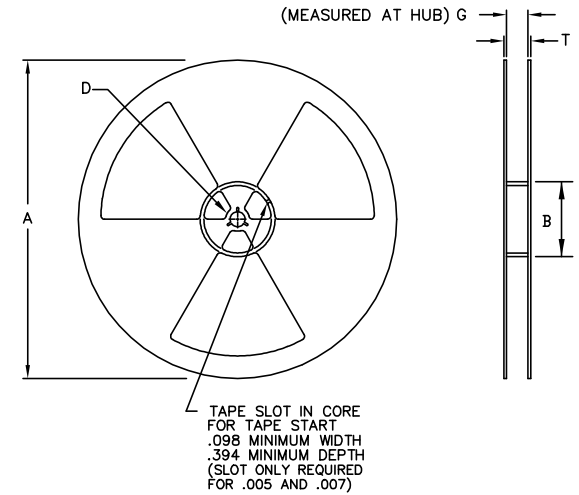
DIMENSIONS ARE IN INCH [MILLIMETERS] WITH THE FOLLOWING TOLERANCES: [MILLIMETER] ARE FOR REFERENCE ONLY.
.XX= ± 0.01 [± 0.25]
.XXX= ± 0.005 [± 0.13]

© Copyright, 2019. Pulse Electronics Corp. All rights reserved. Pulse confidential & proprietary. (01/28/19)

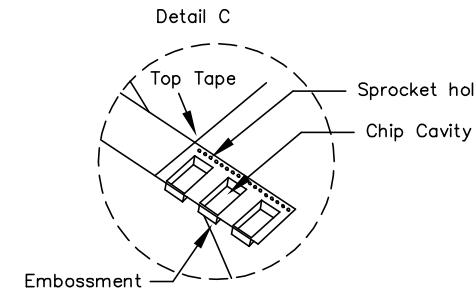
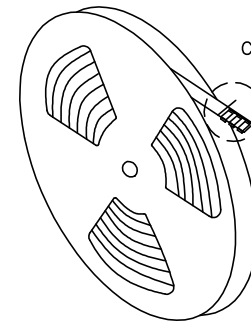
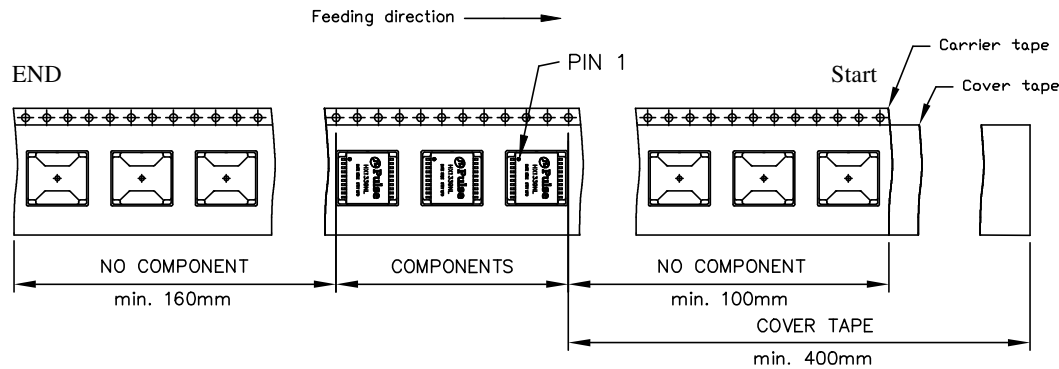
PRODUCT DESCRIPTION	TLA DRAWING	PS DRAWING	SHEET	PART NO.	DATASHEET
MDL,SIN,100D,1:1,SM,OH	HX1339NL-10	PS-0020.001-D	3 OF 4	HX1339NL	D



SECTION A-A



	A	B	D	T	G	G
Tolerance		min.	min.	max.	min.	max.
Tape width mm	330.00	100.00	20.20	30.4	24.4	26.4



DIMENSIONS ARE IN MILLIMETERS WITH THE FOLLOWING TOLERANCES:
X.XX= ±0.10

© Copyright, 2019. Pulse Electronics Corp. All rights reserved. Pulse confidential & proprietary. (01/28/19)

PRODUCT DESCRIPTION	TLA DRAWING	PS DRAWING	SHEET	PART NO.	DATASHEET I
MDL,SIN,100D,1:1,SM,OH	HX1339NL-10	PS-0020.001-D	4 OF 4	HX1339NL	D

X-ON Electronics

Largest Supplier of Electrical and Electronic Components

Click to view similar products for [Audio Transformers](#) / [Signal Transformers](#) category:

Click to view products by [Pulse manufacturer](#):

Other Similar products are found below :

[CX2041NLT](#) [MGPWT-00449-P](#) [PE-64961](#) [H1302FNLT](#) [H5008FNL](#) [H5012FNL](#) [H5020FNLT](#) [H5077NLT](#) [H5079NLT](#) [H5084FNLT](#)
[B78476A9558A003](#) [1812WBT2-4](#) [1879479-1](#) [HX2260FNL](#) [HX5014FNL](#) [EX2024FNL](#) [FL1066](#) [T1137NLT](#) [T3012NL](#) [PE-65812FNL](#) [PE-65848FNLT](#) [H1174FNL](#) [H1302FNL](#) [H5015FNL](#) [H5019EFNL](#) [H5062FNLT](#) [CX2047LNL](#) [MGPWT-00059-P](#) [MGPWT-00266-P](#) [MGPWT-00278-P](#) [MGPWT-00431-P](#) [TTC-100](#) [TTC-143-H](#) [TTC-5032-1](#) [BX1194WNLT](#) [HX1234NLT](#) [HX5008FNLT](#) [HX5019FNL](#) [HX5084NL](#) [3-1879385-5](#) [TX1263NLT](#) [4-1879391-0](#) [T1142NL](#) [HX6101FNL](#) [HX5084FNL](#) [HX1148NL](#) [HX5020FNLT](#) [HX5014FNLT](#) [T1124NL](#)
[1879732-1](#)