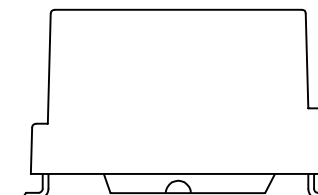
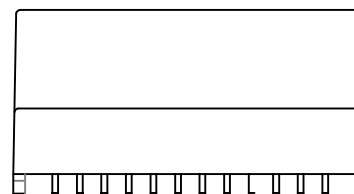
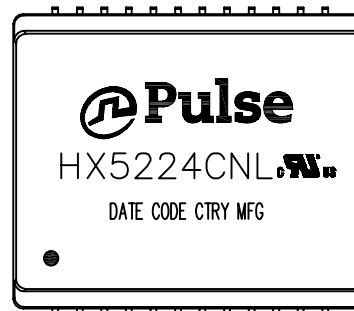


NOTES:

1. ROHS COMPLIANT
2. HEADER: DAP (DIALLYL PHTHALATE) WITH FLAMMABILITY RATING UL 94V-0 OR BETTER.
3. STORAGE TEMPERATURE: -50°C TO +125°C
4. COMPLIANCE TO J-STD:
 - A. J-STD-002: SOLDERABILITY AT 245°C REFLOW PROFILE
 - B. J-STD-020: LEVEL 1, NO MOISTURE SENSITIVE
 - C. J-STD-075: R7, 245°C MAXIMUM THROUGH REFLOW SOLDER
5. TO ORDER TAPE & REEL PACKAGING ADD A "T" SUFFIX TO THE PART NUMBER(i.e HX5224CNL BECOMES HX5224CNLT).

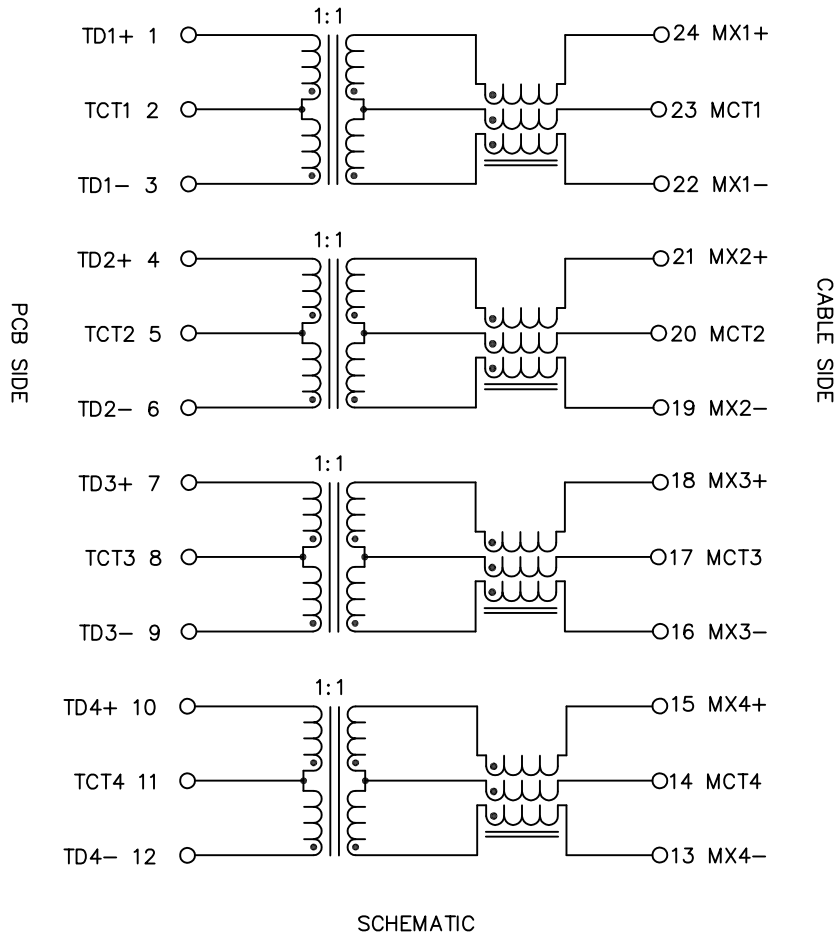


FINAL OUTLINE

© Copyright, 2016. Pulse Electronics Corp. All rights reserved. Pulse confidential & proprietary. (06/12/16)

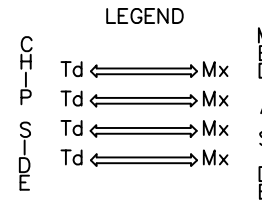
PRODUCT DESCRIPTION	TLA DRAWING	PS DRAWING	SHEET	PART NO.	DATASHEET REV.
MDL,SIN,1GD,1:1,SM,TU	HX5224CNL-10	PS-2820.001-A	1 OF 3	HX5224CNL	A

ELECTRICAL CHARACTERISTICS AT +25°C UNLESS OTHER SPECIFIED
MEETS IEEE 802.3 SPECIFICATION



PARAMETER	SPECIFICATIONS				
OPERATING TEMP	-40°C TO +85°C				
TURNS RATIO	1.00 ± 2%				
POLARITY	PER SCHEMATIC				
INSERTION LOSS	1-30 MHz	60 MHz		100 MHz	
	-0.5 dB MAX	-1.0 dB MAX		-2.1 dB MAX	
RETURN LOSS, (Z OUT = 100 OHM)	1-30 MHz	40 MHz	50 MHz	60-80 MHz	100 MHz
	-18 dB MIN	-16 dB MIN	-14 dB MIN	-10 dB MIN	-8 dB MIN
INDUCTANCE (OCL) (MEDIA SIDE, -40°C~85°C)	350 uH MIN (MEASURED AT 100 KHz, 100 mVRMS AND WITH 8 mA DC BIAS)				
CROSSTALK, ADJACENT CHANNELS	1 MHz		10-100 MHz		
	-50 dB MIN		-55+22*LOG ₁₀ (f/10) dB MIN		
DIFFERENTIAL TO COMMON MODE REJECTION	0.1 MHz		30-200 MHz		
	-50 dB MIN		-43+22*LOG ₁₀ (f/30) dB MIN		
INPUT - OUTPUT ISOLATION	4000 VRMS MIN @ 60 SECONDS				

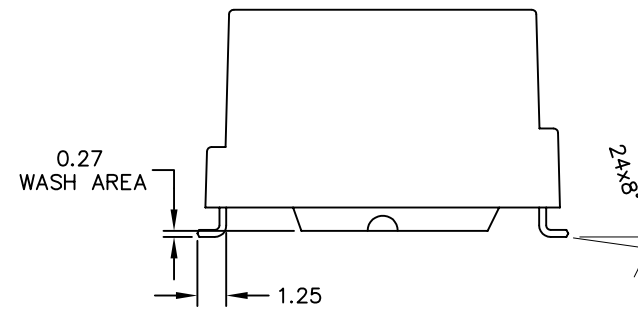
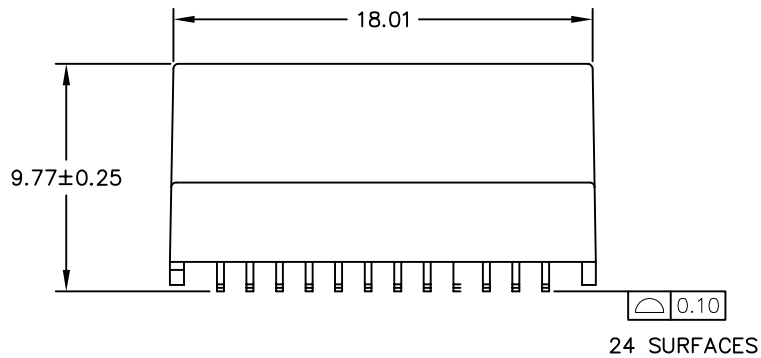
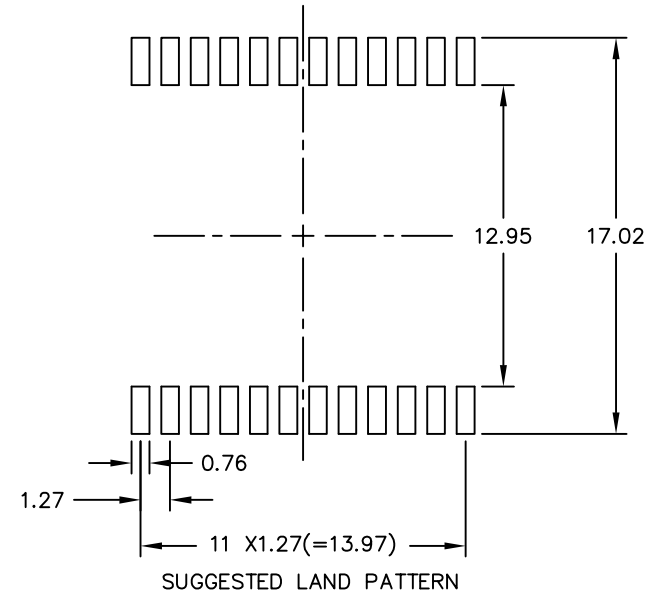
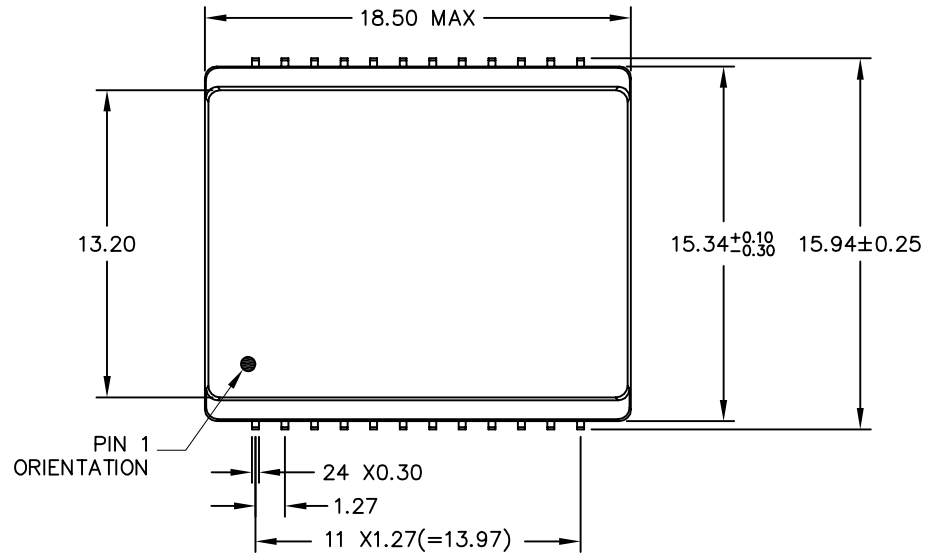
NOTE: f IS FREQUENCY IN MHZ.



ALL CHANNELS ARE IN PHASE BETWEEN INPUT AND OUTPUT

© Copyright, 2016. Pulse Electronics Corp. All rights reserved. Pulse confidential & proprietary. (06/12/16)

PRODUCT DESCRIPTION	TLA DRAWING	PS DRAWING	SHEET	PART NO.	DATASHEET REV.
MDL,SIN,1GD,1:1,SM,TU	HX5224CNL-10	PS-2820.001-A	2 OF 3	HX5224CNL	A



DIMENSIONS ARE IN MM WITH THE FOLLOWING TOLERANCES:
 .X= ±0.25
 .XX= ±0.15

© Copyright, 2016. Pulse Electronics Corp. All rights reserved. Pulse confidential & proprietary. (06/12/16)

PRODUCT DESCRIPTION	TLA DRAWING	PS DRAWING	SHEET	PART NO.	DATASHEET REV.
MDL,SIN,1GD,1:1,SM,TU	HX5224CNL-10	PS-2820.001-A	3 OF 3	HX5224CNL	A

X-ON Electronics

Largest Supplier of Electrical and Electronic Components

Click to view similar products for [Audio Transformers](#) / [Signal Transformers](#) category:

Click to view products by [Pulse manufacturer](#):

Other Similar products are found below :

[CX2041NLT](#) [MGPWT-00449-P](#) [PE-64961](#) [H1302FNLT](#) [H5008FNL](#) [H5012FNL](#) [H5020FNLT](#) [H5077NLT](#) [H5079NLT](#) [H5084FNLT](#)
[B78476A9558A003](#) [1812WBT2-4](#) [1879479-1](#) [HX2260FNL](#) [HX5014FNL](#) [EX2024FNL](#) [FL1066](#) [T1137NLT](#) [T3012NL](#) [PE-65812FNL](#) [PE-65848FNLT](#) [H1174FNL](#) [H1302FNL](#) [H5015FNL](#) [H5019EFNL](#) [H5062FNLT](#) [CX2047LNL](#) [MGPWT-00059-P](#) [MGPWT-00266-P](#) [MGPWT-00278-P](#) [MGPWT-00431-P](#) [TTC-100](#) [TTC-143-H](#) [TTC-5032-1](#) [BX1194WNLT](#) [HX1234NLT](#) [HX5008FNLT](#) [HX5019FNL](#) [HX5084NL](#) [3-1879385-5](#) [TX1263NLT](#) [4-1879391-0](#) [T1142NL](#) [HX6101FNL](#) [HX5084FNL](#) [HX1148NL](#) [HX5020FNLT](#) [HX5014FNLT](#) [T1124NL](#)
[1879732-1](#)