

NOTES:

1. ROHS COMPLIANT
2. HEADER: THERMOSET PLASTIC MATERIAL WITH FLAMMABILITY RATING UL 94V-0 OR BETTER.
3. STORAGE TEMPERATURE: -50°C TO +125°C

4. COMPLIANCE TO J-STD:

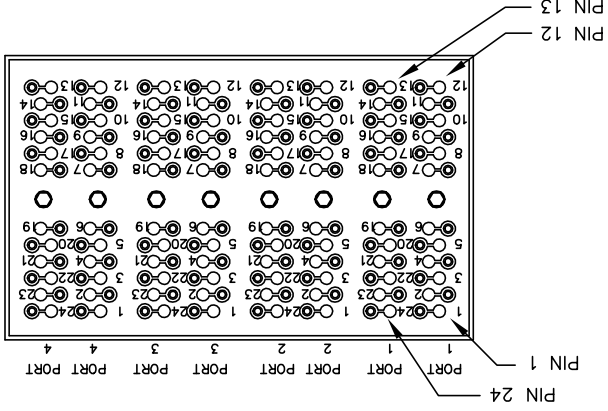
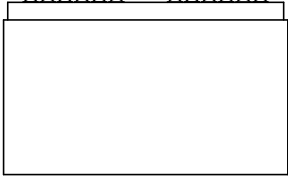
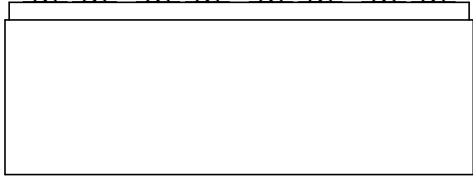
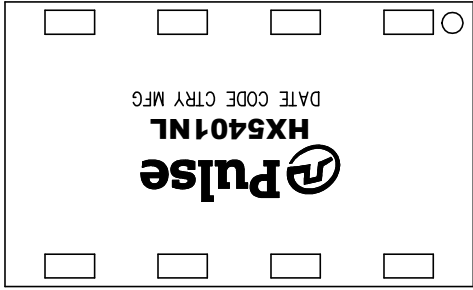
A. J-STD-002: SOLDERABILITY AT 245°C REFLOW PROFILE

B. J-STD-020: LEVEL 1, NO MOISTURE SENSITIVE

C. J-STD-075: R4, 260°C MAXIMUM THROUGH REFLOW SOLDER

5. TO ORDER TAPE & REEL PACKAGING ADD A "T" SUFFIX

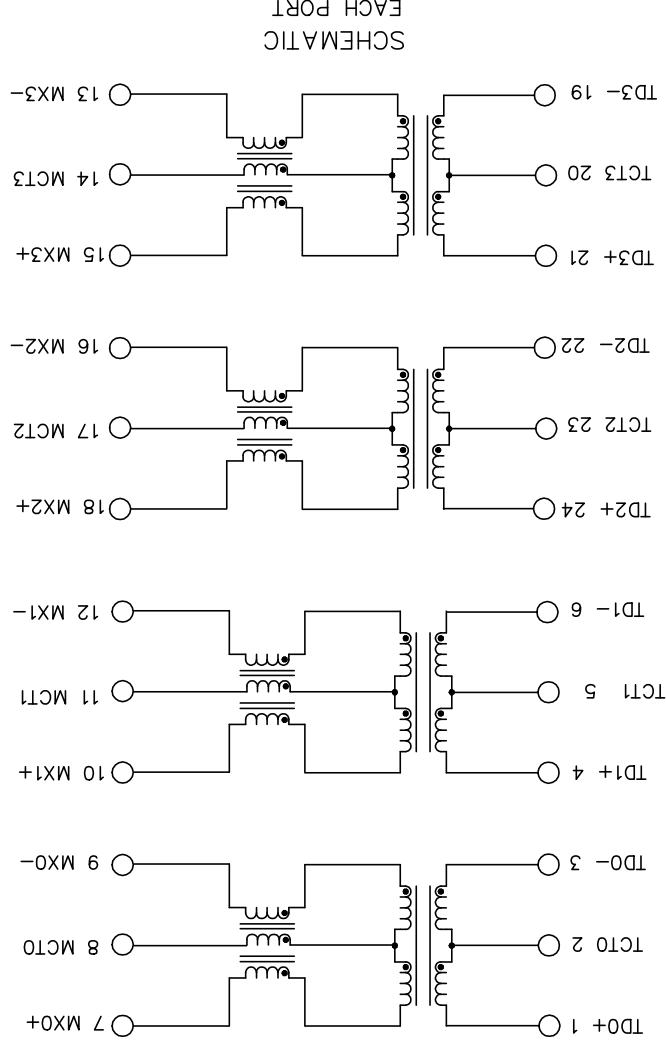
TO THE PART NUMBER (i.e. HX5401NL BECOMES HX5401NLT).



FINAL OUTLINE

PRODUCT DESCRIPTION	TLA DRAWING	PS DRAWING	SHEET	PART NO.	DATASHEET REV.
MDL,SIN,1GP,1:1,SM,TU	HX5401NL-14	PS-2435.001-D	1 OF 3	HX5401NL	B

© Copyright, 2018. Pulse Electronics Corp. All rights reserved. Pulse confidential & proprietary. (08/28/18)



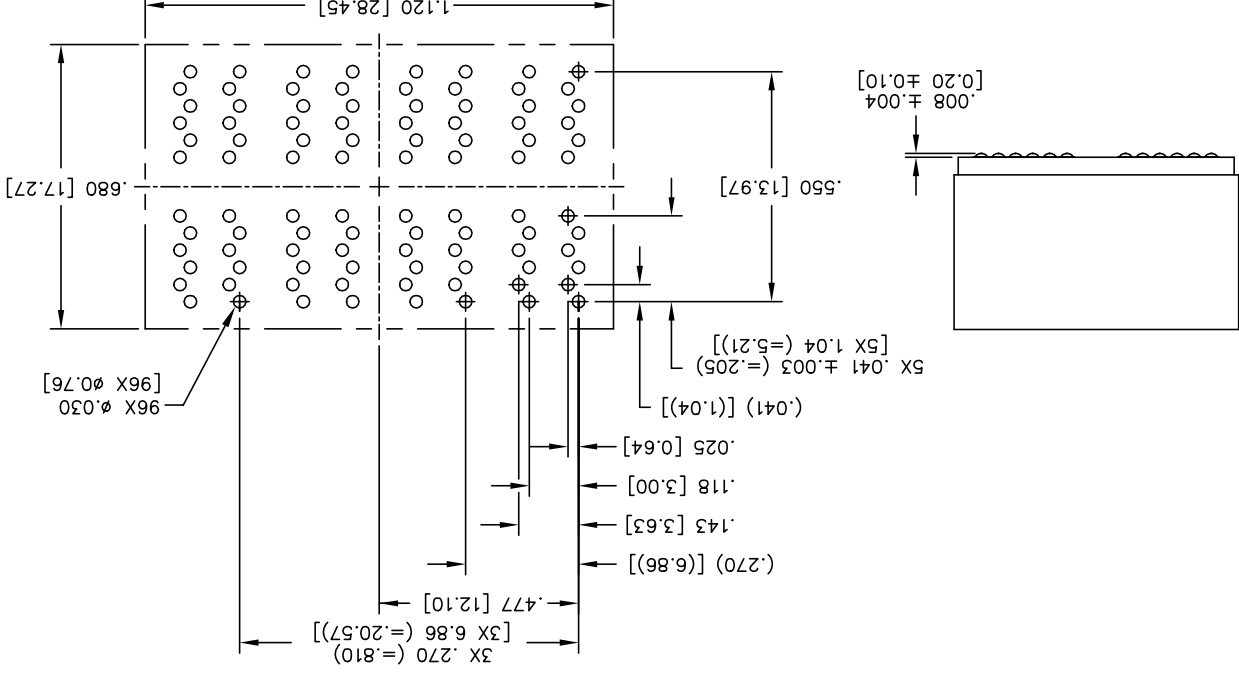
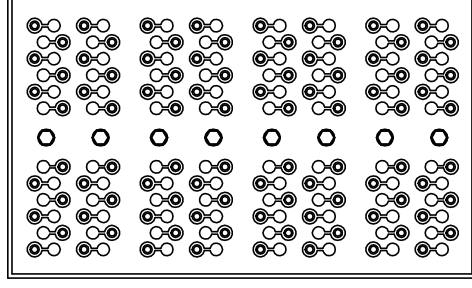
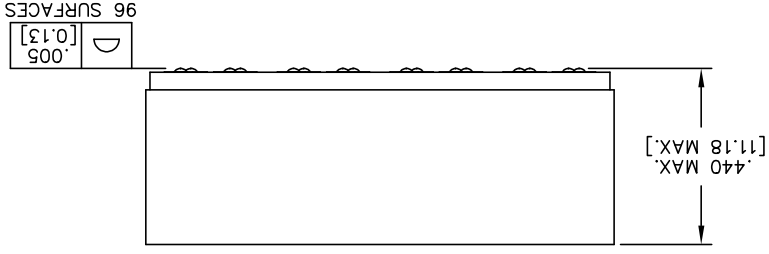
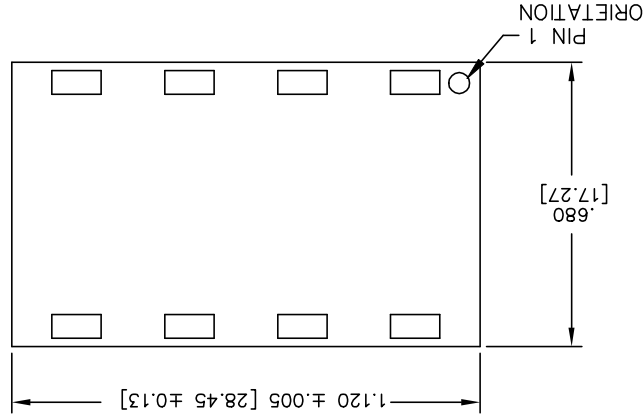
© Copyright, 2018, Pulse Electronics Corp. All rights reserved. Pulse confidential & proprietary. (08/28/18)

PRODUCT DESCRIPTION	TLA DRAWING	PS DRAWING	SHEET
MDL,SIN,1GP,1:1,S,M,TU	HX5401NL-14	PS-2435.001-D	2 OF 3
DATASHEET REV.	PART NO.	HX5401NL	B

PARAMETER		SPECIFICATIONS	
OPERATING TEMP		-40°C TO +85°C	
TURNS RATIO		1 : 1 ±2%	
POLARITY		PER SCHEMATIC	
INSERTION LOSS	100 KHZ	-1.2 DB MAX	-0.2-0.002*f ^{1.4} DB MAXIMUM
	40-100 MHZ	.1-40 MHZ	
RETURN LOSS (Z OUT=100 OHM ±15%)	40-100 MHZ	-16 DB MIN	-10+20*LOG ₁₀ (f/80) MHZ) DB MINIMUM
	1 MHZ	350 uH MIN	(MEASURED AT 100 KHZ, 100 mVRMS AND WITH 8 mA DC BIAS)
CROSSTALK, ADJACENT CHANNELS	1 MHZ	-50 DB MIN	-55+22*LOG ₁₀ (f/10) DB MINIMUM
	2 MHZ	30-200 MHZ	
COMMON MODE REJECTION RATIO	30-200 MHZ	-50 DB MIN	-15+20*LOG ₁₀ (f/200) DB MINIMUM
	1/2 WINDING	.65 OHMS MAXIMUM	
DC RESISTANCE, IMBALANCE	±.065 OHMS MAXIMUM (CENTER TAP SYMMETRY)		
DC CURRENT/VOLTAGE RATING	350 mA MAX @ 57 V (CONTINUOUS)		
INPUT - OUTPUT ISOLATION	1500 VRMS MINIMUM AT 60 SECONDS		

NOTE: f IS FREQUENCY IN MHZ.

ELECTRICAL CHARACTERISTICS AT +25°C UNLESS OTHER SPECIFIED
(FOR REFERENCE ONLY, USED FOR CUSTOMER INFORMATION.)



SUGGESTED PCB LAYOUT

DIMENSIONS ARE IN INCHES [MILLIMETERS] WITH THE FOLLOWING TOLERANCES: [MILLIMETERS] ARE FOR REFERENCE ONLY.
 .XX = ± .02 [± 0.5]
 .XXX = ± .010 [± 0.25]

© Copyright, 2018, Pulse Electronics Corp. All rights reserved. Pulse confidential & proprietary. (08/28/18)

PRODUCT DESCRIPTION	TLA DRAWING	PS DRAWING	SHEET	PART NO.	DATASHEET REV.
MDL,SIN,1GP,1:1,S,M,TU	HX5401NL-14	PS-2435.001-D	3 OF 3	HX5401NL	B

X-ON Electronics

Largest Supplier of Electrical and Electronic Components

Click to view similar products for [Audio Transformers / Signal Transformers](#) category:

Click to view products by [Pulse manufacturer](#):

Other Similar products are found below :

[749023020](#) [CU4S0506AT-2655-H1](#) [MET-58](#) [PE-64961](#) [H5008FNL](#) [H5020FNLT](#) [H5079NLT](#) [1879479-1](#) [1879564-1](#) [PA1277NLT](#)
[PA1528ANL](#) [PA2007NLT](#) [FL1066](#) [T1137NLT](#) [T3012NL](#) [PE-65812FNL](#) [TTC-100](#) [TTC-143-H](#) [TTC-5032-1](#) [HX1234NLT](#) [HX5008FNLT](#)
[100B-1001XNL](#) [PA1282NLT](#) [HX5084FNL](#) [T1108NLT](#) [2-1879391-5](#) [TTC-266-2](#) [3-1879385-4](#) [PA1032NL](#) [H2009FNLT](#) [PA0801NLT](#)
[TTC-266](#) [X-1619](#) [SM51295PEL](#) [T5008NLT](#) [PE-68517T](#) [HX1294NLT](#) [HX5084FNLT](#) [H5015FNLT](#) [H6080NLT](#) [CX2024NL](#) [HX1294FNLT](#)
[TX1473NLT](#) [PE-69011NLT](#) [CX2047LNLT](#) [CX2043LNLT](#) [DCT20EFD-U32S003](#) [H5120NLT](#) [H7137FNLT](#) [H1259NLT](#)