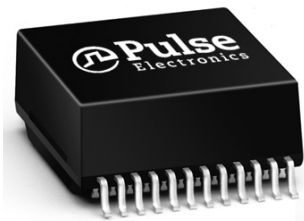


# LAN Product

## Single Port PoE-ultra Gigabit Module



- High Power rated Gigabit Module supports 48W over 2 pair (850mA at 57V) continuous
- Industry Standard SMD Package and Footprint
- 245°C Peak Reflow Solder Temperature

Electrical Specifications @ 25°C - Operating Temperature -40°C to +85°C, Storage Temperature -55°C to 125°C

Part Number	OCL * @ 25mA DC Bias (uH min)	Insertion Loss* 1-100MHz (dB MAX)	Return Loss* (dB min) (Z=100Ω)					DCMR (dB MIN)	DCR (dB MIN)			Hi-Pot (V <sub>RMS</sub> )
			1-30 MHz	40 MHz	50 MHz	60-80 MHz	100 MHz		0.1 to 100 MHz	30 MHz	60 MHz	
HX6106NL	350	1.4	-18	-16	-14	-10	-8	-33	-43	-37	-33	1500

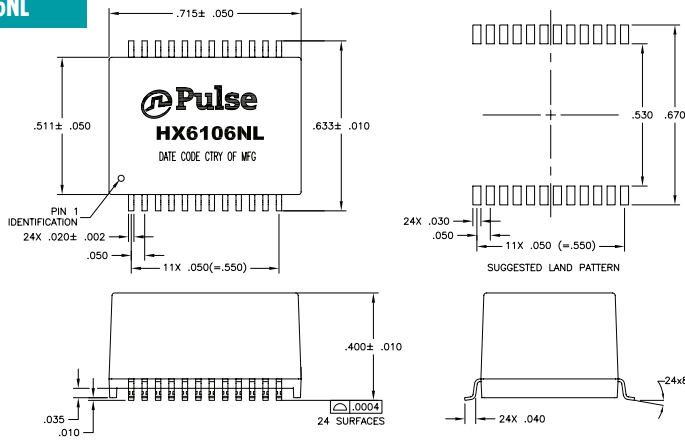
### Notes:

\* Tested and specified at 25°C +/- 10°C

### Mechanical

### Schematic

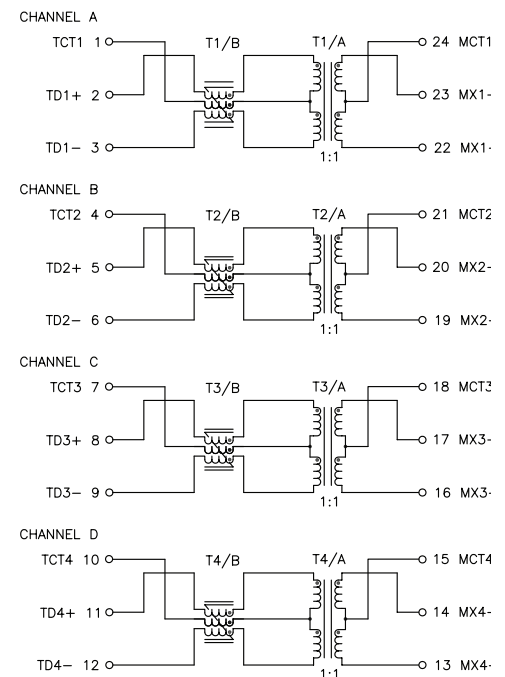
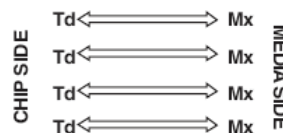
#### HX6106NL



Weight .....1.9 grams  
Tape & Reel .....250/reel  
Tube Qty .....25 pcs  
Dimensions:  $\frac{\text{Inches}}{\text{mm}}$

Unless otherwise specified, all tolerances are  $\pm \frac{.010}{0,25}$

#### LEGEND



### For More Information

**Pulse Worldwide Headquarters**  
12220 World Trade Drive  
San Diego, CA 92128  
U.S.A.

**Pulse Europe**  
Zeppelinstrasse 15  
D-71083 Herrenberg  
Germany

**Pulse China Headquarters**  
B402, Shenzhen Academy of  
Aerospace Technology Bldg.  
10th Kejinan Road  
High-Tech Zone  
Nanshan District  
Shenzhen, PR China 518057  
Tel: 86 755 33966678  
Fax: 86 755 33966700

**Pulse North China**  
Room 2704/2705  
Super Ocean Finance Ctr.  
2067 Yan An Road West  
Shanghai 200336  
China

Tel: 86 21 62787060  
Fax: 86 2162786973

**Pulse South Asia**  
135 Joo Seng Road  
#03-02  
PM Industrial Bldg.  
Singapore 368363

Tel: 65 6287 8998  
Fax: 65 6287 8998

**Pulse North Asia**  
3F, No. 198  
Zhongyuan Road  
Zhongli City  
Taoyuan County 320  
Taiwan R. O. C.  
Tel: 886 3 4356768  
Fax: 886 3 4356823 (Pulse)  
Fax: 886 3 4356820 (FRE)

Performance warranty of products offered on this data sheet is limited to the parameters specified. Data is subject to change without notice. Other brand and product names mentioned herein may be trademarks or registered trademarks of their respective owners. © Copyright, 2012. Pulse Electronics, Inc. All rights reserved.

## X-ON Electronics

Largest Supplier of Electrical and Electronic Components

*Click to view similar products for [Telecom ICs](#) category:*

*Click to view products by [Pulse](#) manufacturer:*

Other Similar products are found below :

[87180-066](#) [B78476A9558A003](#) [4C9965](#) [RH1041W-MFP-GNL](#) [5C3263](#) [7J8004](#) [SCMS7D43AY100PT1](#) [43841-0003-CUT-TAPE](#)  
[HX6106NLT](#) [75586-0004-CUT-TAPE](#) [JC0-0201NL](#) [0432498916](#) [0757840156](#) [0424104168](#) [0432028917](#) [93899-001LF](#) [9455511103](#)  
[10118067-5136210LF](#) [69253-001](#) [H1062](#) [P129](#) [T7015NLT](#) [T1231NL](#) [432238149](#) [428786360](#) [432498908](#) [441500007](#) [446200003](#)  
[432028918](#) [432498925](#) [428788458](#) [443800019](#) [443801016](#) [754500001](#) [757830252](#) [757840212](#) [757865001](#) [950432801](#) [760925002](#) [133148](#)  
[69255-004LF](#) [ST7010QNL](#) [T-1250SCT](#) [T3023NL](#) [66010-004LF](#) [203156](#) [68899-002LF](#) [95672-001LF](#) [95678-001ALF](#) [45-5614-BU](#)