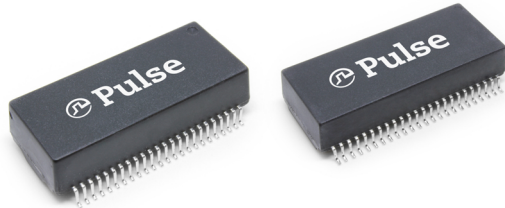


Dual Port 5GBase-T Magnetic Modules

HB5G015HLT, HB5G016HLT, HXB5G017HLT, HB5G018HLT, HB5G019HLT
and HXB5G020HLT



- Ⓢ Fully RoHS and Halogen Free
- Ⓢ One footprint, Standard and High Isolation options
- Ⓢ Supports 4 pair Power over Ethernet (PoE) up to 90W
- Ⓢ Meet or exceed IEEE802.3bz/at/bt
- Ⓢ Compatible with 2.5 and 5Gigabit PHYs
- Ⓢ Commercial and Industrial Temperature
- Ⓢ Reliable SMD packages support 245°C pk reflow
- Ⓢ All components supplied in Tape and Reel

Electrical Specification @ 25°C

Part Number*	Media side Inductance (@100KHz/0.1Ve) uH min	Insertion Loss (dB max)		Return Loss (dB min)		PoE (Current Per Pair mA)	Operating Temperature (°C)	Isolation (Pri:Sec)	Note
		1-100 MHz	100-250 MHz	1-40MHz	40< f ≤ 250 MHz				
HB5G015HLT	180	-1.0	-2.0	-16	$-(16-10 \log_{10}(f/40))$	-	0° to 70°	1500Vrms	-
HB5G018HLT	180	-1.0	-2.0	-16	$-(16-10 \log_{10}(f/40))$	-	0° to 70°	4000Vrms	Surge DM 4.3KV
HB5G016HLT	180	-1.0	-2.0	-16	$-(16-10 \log_{10}(f/40))$	600	0° to 70°	1500Vrms	60W PoE+
HXB5G017HLT	180	-1.0	-2.0	-16	$-(16-10 \log_{10}(f/40))$	600	-40° to 85°	1500Vrms	60W PoE+
HB5G019HLT	180	-1.0	-2.0	-16	$-(16-10 \log_{10}(f/40))$	600	0° to 70°	4000Vrms	60W /Surge DM 4.3KV
HXB5G020HLT	180	-1.0	-2.0	-16	$-(16-10 \log_{10}(f/40))$	1000	-40° to 85°	1500Vrms	90W PoE+

Note: * Specifications listed above refer to the base component part number that is printed on the product - ie HXB5G020HLT will be HXB5G020HL

Process and Materials

Notes:

1. Storage Temperature:
HBxxxxHL = -20 to +125°C
HXBxxxxHL = -50 to +125°C
2. Compliance to JEDEC-J-STD 020:
i. Moisture Sensitive Level 1
ii. Maximum peak Reflow Solder temperature 245°C
3. All parts come in 13" (330mm) Diameter Tape and reel - see page 3 for details
4. Header: Black Thermoset Plastic - Material flammability rating UL 94V-0
5. Lead Frame: Cooper Alloy
6. Underplate / Overplate: Tin electro-deposited over Nickel
7. Finish: Matte finish Tin solder

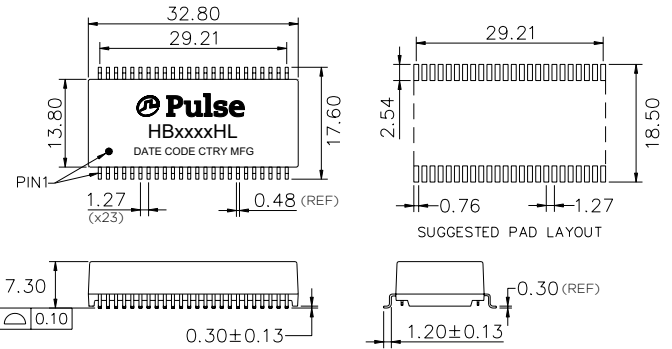
Dual Port 5GBase-T Magnetic Modules

HB5G015HLT, HB5G016HLT, HXB5G017HLT, HB5G018HLT, HB5G019HLT
and HXB5G020HLT

Mechanicals

HB5G015HLT, HB5G16HLT, HXB5G017HLT

HB5G018HLT, HB5G019HLT, HXB5G020HLT

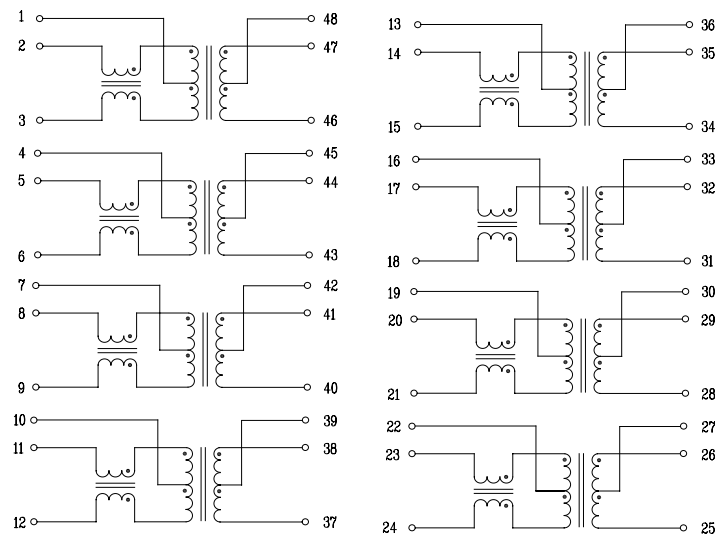


Dimensions: mm

Unless otherwise specified,
all tolerances are ± 0,25

Schematic

HB5G01xHLT, HXB5G01xHLT, HXB5G020HLT

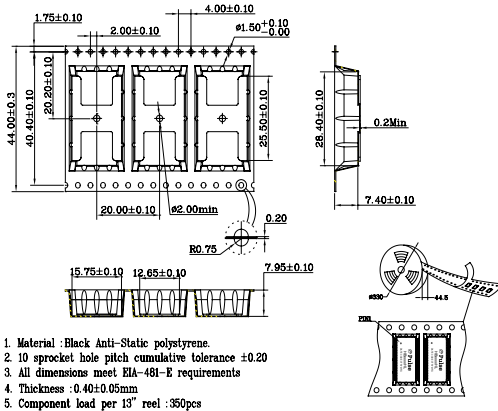


Dual Port 5GBase-T Magnetic Modules

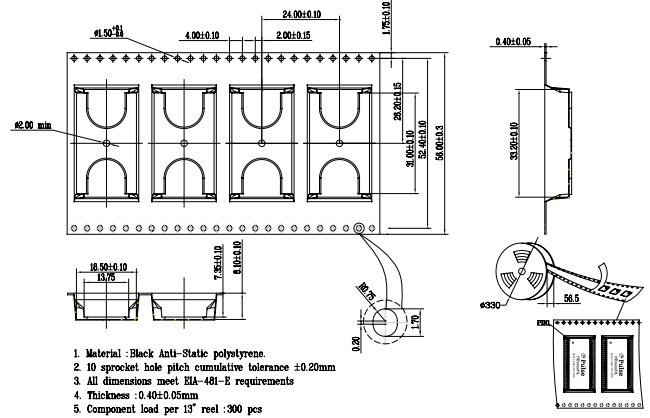
HB5G015HLT, HB5G016HLT, HXB5G017HLT, HB5G018HLT, HB5G019HLT
and HXB5G020HLT

Tape & Reel

HB5G015HLT, HB5G016HLT, HXB5G017HLT



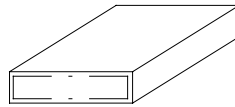
HB5G018HLT, HB5G019HLT, HXB5G020HLT



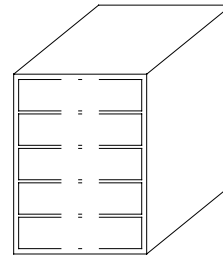
HB5G015HLT, HB5G016HLT, HXB5G017HLT



REEL



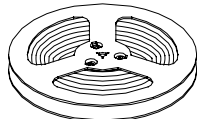
INNER BOX: 347x347x82



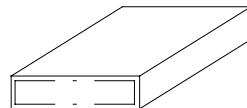
OUTER CARTON: 375x375x470

1. 1 REEL=350PCS
2. 1 INNER BOX=1 REEL=350PCS
3. 1 OUTER CARTON=5 INNER BOXES=1750PCS

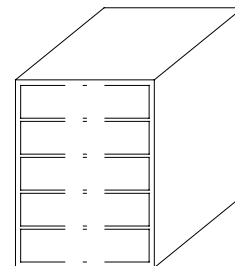
HB5G018HLT, HB5G019HLT, HXB5G020HLT



REEL



INNER BOX: 347x347x82



OUTER CARTON: 375x375x470

1. 1 REEL=350PCS
2. 1 INNER BOX=1 REEL=350PCS
3. 1 OUTER CARTON=5 INNER BOXES=1750PCS

For More Information:

Americas - prodinfo_network_americas@yageo.com | Europe - prodinfo_network_emea@yageo.com | Asia - prodinfo_network_asia@yageo.com

Performance warranty of products offered on this data sheet is limited to the parameters specified. Data is subject to change without notice. Other brand and product names mentioned herein may be trademarks or registered trademarks of their respective owners. © Copyright, 2023. Pulse Electronics, Inc. All rights reserved.

YAGEO Corporation and its affiliates do not recommend the use of commercial, automotive, and/or COTS grade products for high reliability applications or manned space flight.

X-ON Electronics

Largest Supplier of Electrical and Electronic Components

Click to view similar products for [Audio Transformers](#) / [Signal Transformers](#) category:

Click to view products by [Pulse manufacturer](#):

Other Similar products are found below :

[CU4S0506AT-2655-H1](#) [MGPWT-00449-P](#) [PE-64961](#) [1812WBT2-4](#) [BX1194WNL](#) [1879479-1](#) [PA1528ANL](#) [T1137NLT](#) [PE-65848FNLT](#)
[H5019EFNL](#) [CX2045ALNLT](#) [TG1G-E201NV6LF](#) [MGPWT-00059-P](#) [MGPWT-00266-P](#) [MGPWT-00278-P](#) [MGPWT-00431-P](#) [TTC-100](#)
[TTC-143-H](#) [TTC-5032-1](#) [4-1879391-0](#) [100213](#) [T1142NL](#) [TG1G-S001NZLF](#) [T1124NL](#) [1879732-1](#) [2-1879391-5](#) [MABA-010321-CT1A42](#)
[TX1341NL](#) [H0013FNL](#) [H5020FNL](#) [H2009FNLT](#) [H5004NLT](#) [S553-5999-52-F](#) [SCMS7D43AY100PT1](#) [T5008NLT](#) [PE-68517T](#) [MGPWT-](#)
[00339-P](#) [H5014FNLT](#) [TX1473NLT](#) [PE-69011NLT](#) [CX2043LNLT](#) [H7137FNLT](#) [H1259NLT](#) [TX1344NLT](#) [LM-LP-1005L](#) [H0013NLT](#)
[S558-5500-JV](#) [TX1193NLT](#) [T7015NL](#) [T1124NLT](#)