

# Reinforced Halogen Free ESS Transformer

UL approved design for residential and commercial Battery Storage Solutions



- ☉ Supports leading vendors silicon for battery (BMS) and energy storage solutions (ESS).
- ☉ UL Compliance to IEC/UL62368-1 for Reinforced
- ☉ Selection of Working and Breakdown Voltages
- ☉ Wide temperature performance from -40 to +125°C
- ☉ Automated Winding and Production Process for high reliability

## Applications:

Energy Storage (ESS), marine or aviation transportation.

### Electrical Specifications @ 25°C - Operating Temperature -40°C to +125°C

Part Number	Inductance (100kHz, 100mVrms)	Turns Ratio	Choke fitted	Isolation breakdown (Pri:Sec)	Working Voltage	Insulation Clearance (mm)	Insulation Creepage (mm)	Insulation Resistance (MegaOhms)
HXE2006HL	150 uH min	1.00 +/- 2%	YES	4300Vrms / 60sec	500VDC	>6.35mm	>6.35mm	400
HXE2007HL	150 uH min	1.00 +/- 2%	YES	4300Vrms / 60sec	800VDC	>6.35mm	>8.00mm	400
HXE2008HL	150 uH min	1.00 +/- 2%	YES	4300Vrms / 60sec	1000VDC	>6.35mm	>10.0mm	400
HXE2009HL	150 uH min	1.00 +/- 2%	YES	4300Vrms / 60sec	1500VDC	>6.35mm	>15.0mm	400
HXE2010HL	150 uH min	1.00 +/- 2%	YES	5000Vrms / 60sec	500VDC	>8.0mm	>8.0mm	400
HXE2011HL	150 uH min	1.00 +/- 2%	YES	5000Vrms / 60sec	800VDC	>8.0mm	>8.0mm	400
HXE2012HL	150 uH min	1.00 +/- 2%	YES	5000Vrms / 60sec	1000VDC	>8.0mm	>10.0mm	400
HXE2013HL	150 uH min	1.00 +/- 2%	YES	5000Vrms / 60sec	1500VDC	>8.0mm	>15.0mm	400
HXE2014HL	150 uH min	1.00 +/- 2%	YES	6000Vrms / 60sec	500VDC	>8.0mm	>8.0mm	400
HXE2015HL	150 uH min	1.00 +/- 2%	YES	6000Vrms / 60sec	800VDC	>8.0mm	>8.0mm	400
HXE2016HL	150 uH min	1.00 +/- 2%	YES	6000Vrms / 60sec	1000VDC	>8.0mm	>10.0mm	400
HXE2017HL	150 uH min	1.00 +/- 2%	YES	6000Vrms / 60sec	1500VDC	>8.0mm	>15.0mm	400

## Additional Electrical performance

### Electrical Specifications @ 25°C - Operating Temperature -40°C to +125°C

Part Number	Leakage Inductance (Max)	Winding DCR (Ω)		Insertion Loss	Return Loss  Z out = 100 Ω	CMRR	
		PHY Side	Line Side			1 - 10MHz	10- 1000MHz
HM2113ZNL	1.0 uH @ 100kHz	0.80 max	1.00 max	-0.50dB max @ 4MHz	-20 dB min @ 4MHz	-35dB	-20dB

1. Storage Temperature: -50°C to +125°C
2. Compliance to J-STD:
  - A. J-STD-002: Solderability at 245°C Reflow Profile
  - B. J-STD-020: Moisture Sensitive Level 1
  - C. J-STD-075: R7, 245°C Maximum Through Reflow Solder
3. The NL suffix part comes in Tubes with 35pcs per tube. To order tape and reel packaging add a 'T' suffix to the part number (ie: HXE2006HL becomes HXE2006HLT). Quantity per reel is 350pcs/reel.

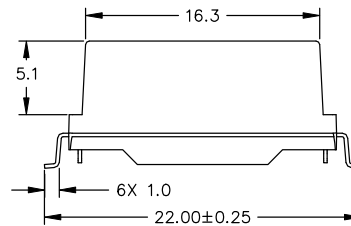
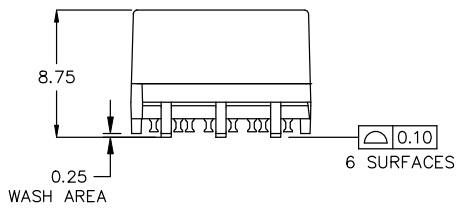
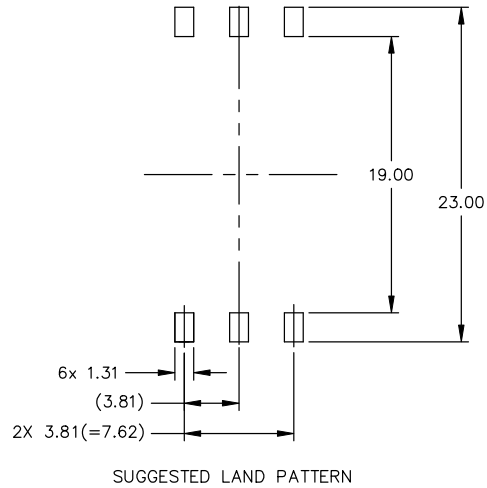
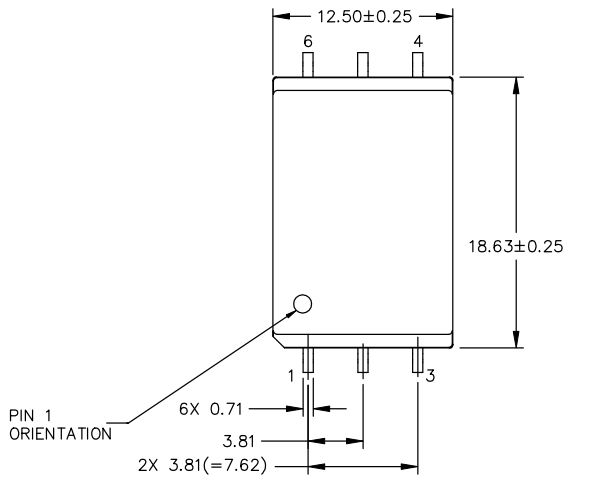
4. Header: DAP (Diallyl Phthalate) with flammability Rating UL 94V-0 or better
5. Lead Frame: Cooper Alloy  
Under plated: Half Hard Ductile Nickel 50-100" (1.3-2.5um)  
Over plated : 100% Tin electro-deposited per ASTM B545 300 - 50u"(8-13um)  
Finish : Matte finish 100% Tin solder
6. AEC-Q200 Qualified, PPAP on request

# Reinforced Halogen Free ESS Transformer

UL approved design for residential and commercial Battery Storage Solutions

## MECHANICAL

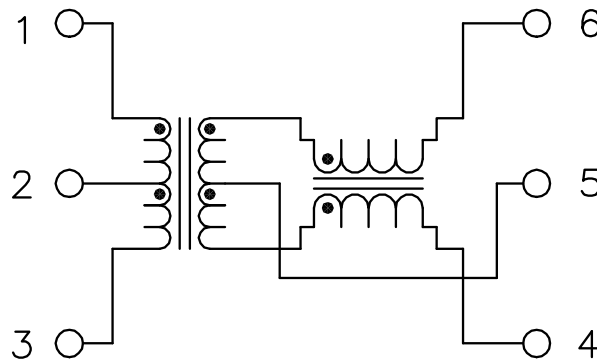
HXE20xxHL



**Dimensions in mm**  
Unless otherwise specified,  
all tolerances are ± 0,25

## SCHEMATIC

HXE20xxHL

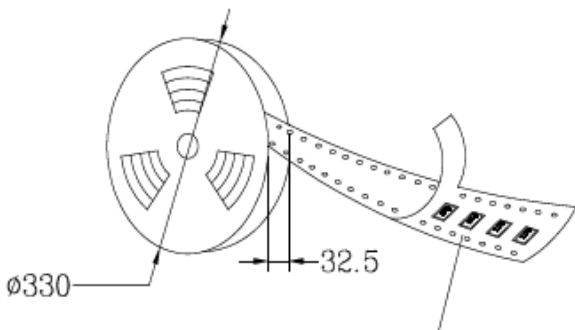
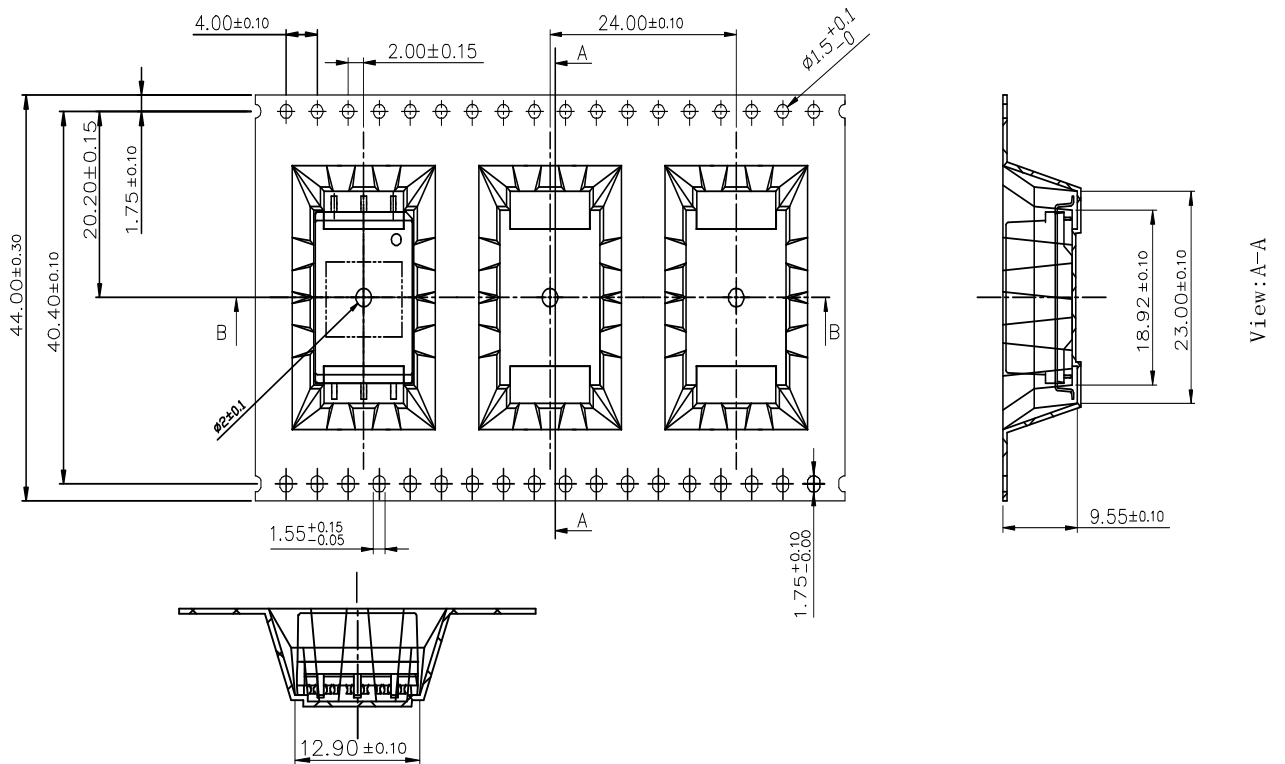


# Reinforced Halogen Free ESS Transformer

UL approved design for residential and commercial Battery Storage Solutions

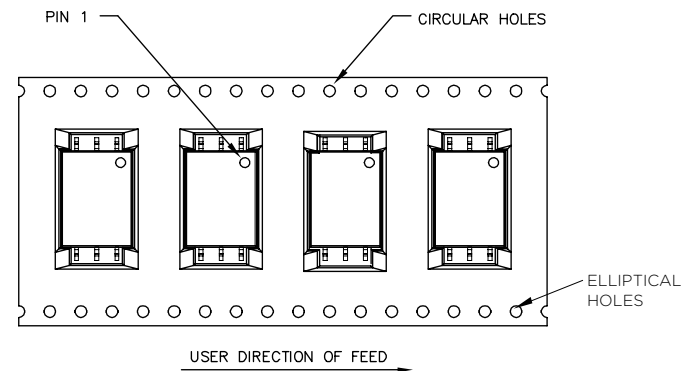
## TAPE & REEL

HM20xxHL



All Dimensions meet EIA-481-D requirements.

Component



1. **Material:** Black Conductive Polystyrene
2. **Components per Reel:** 250 pieces
3. **Quantity per carton:** 4x full reels = 2000 pieces

### For More Information:

Americas - [prod\\_info\\_network\\_americas@yageo.com](mailto:prod_info_network_americas@yageo.com) | Europe - [prod\\_info\\_network\\_emea@yageo.com](mailto:prod_info_network_emea@yageo.com) | Asia - [prod\\_info\\_network\\_apac@yageo.com](mailto:prod_info_network_apac@yageo.com)

Performance warranty of products offered on this data sheet is limited to the parameters specified. Data is subject to change without notice. Other brand and product names mentioned herein may be trademarks or registered trademarks of their respective owners. © Copyright, 2023. Pulse Electronics, Inc. All rights reserved.

## **X-ON Electronics**

Largest Supplier of Electrical and Electronic Components

*Click to view similar products for [Power Transformers](#) category:*

*Click to view products by [Pulse](#) manufacturer:*

Other Similar products are found below :

[F-181U](#) [F-204U](#) [F-206U](#) [F-227X](#) [F-23U](#) [F-264U](#) [F-267U](#) [F-35U](#) [F-412X](#) [F-55X-1](#) [F-68U](#) [F-71U](#) [F-72Z](#) [F-74U](#) [F-83A](#) [F-84AC](#) [F-85U](#) [F-86U](#) [F-9U](#) [PCT-02](#) [PCT-03](#) [PCT6630](#) [PF2.5-20](#) [PPC-14](#) [PPC-46](#) [PPC-58](#) [PSD4-36](#) [GSD-150](#) [11E009H](#) [11E012H](#) [DSW-2120](#) [DSW-224](#) [DSW-228](#) [DSW-310](#) [DSW-3120](#) [DSW-356](#) [DSW-412](#) [DSW-4120](#) [DSW-424](#) [DSW-448](#) [DSW-456](#) [DSW-556](#) [DSW-610](#) [DSW-6120](#) [DSW-624](#) [DSWC-712](#) [EN216B](#) [N-39X](#) [N-49X](#) [N-4MG-1](#)