

NOTES:

1. THIS COMPONENT CONFORMS TO UL60950. UL FILE NO. IS: E216117.

	WARNING: THIS COMPONENT IS RECOGNIZED BY ONE OR MORE SAFETY AGENCIES SUCH AS UL, VDE, CSA AND/OR TUV. ALL ENGINEERING CHANGES MUST HAVE PRIOR APPROVAL BY THE DESIGN CENTER PRODUCT SAFETY DEPARTMENT FOR SAFETY AGENCY COMPLIANCE.	ECH APPROVAL: QA APPROVAL: DATE:

2. ROHS COMPLIANT

3. MATERIAL

- 3.1 PLASTIC HOUSING: THERMOPLASTIC, BLACK WITH FLAMMABILITY RATING UL 94V-0 OR BETTER.
 3.2 CONTACTS BASE MATERIAL: PHOSPHOR BRONZE
 3.3 UNDER PLATING: 50 μINCHES NICKEL MINIMUM.
 3.4 CONTACTS PLATING: 30 MICROINCHES GOLD PLATING.
 3.5 SOLDER TAIL PLATING : 200~500 μINCHES 100% TIN, MATTE FINISH.
 3.6 METAL SHIELD: STAINLESS STEEL. (FRONT SHIELD)
 METAL SHIELD: NICKEL PLATING ON COPPER ALLOY.(REAR SHIELD)
 3.7 SHIELD PIN: SOLDER WITH TIN

4. ELECTRICAL CHARACTERISTICS:

- 4.1 INSULATION RESISTANCE: 500 MEGAOHMS MINIMUM

5. MECHANICAL

- 5.1 DURABILITY (MATING/UNMATING): 750 CYCLES.
 5.2 CONTACT RESISTANCE: INTIAL 30 mOHMS Max, CHANGE 20 mOHMS

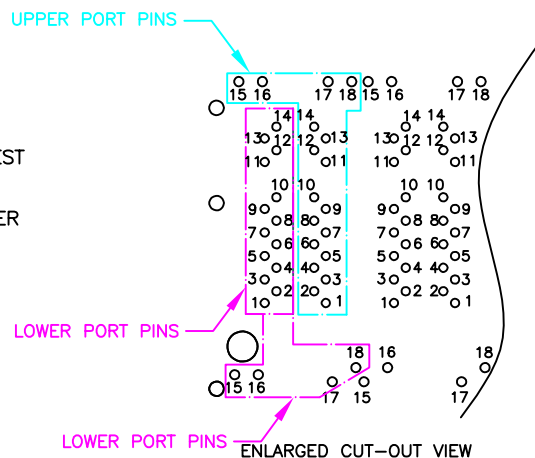
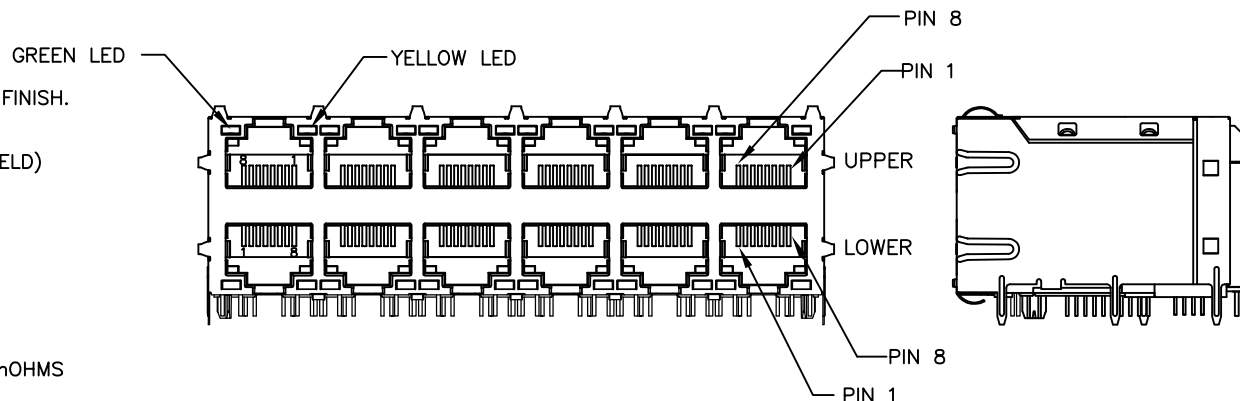
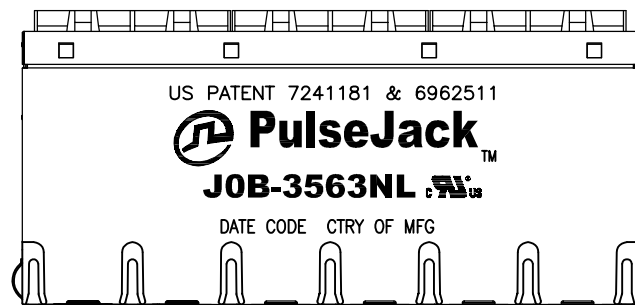
6. JACK CAVITY CONFORMS TO FCC PART 68 SUBPART F.

7. PCB PLATING: HASL (TOP PCB), ENIG (BOTTOM PCB)

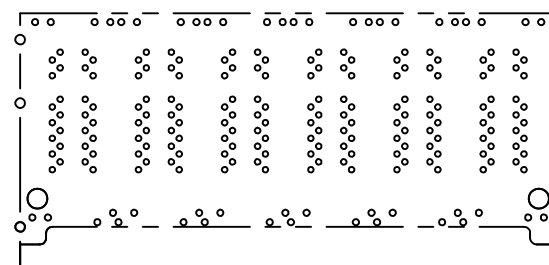
8. STORAGE TEMPERATURE: -20°C TO +125°C

9. COMPLIANCE TO J-STD:

- A. J-STD-002: SOLDERABILITY AT 245°C DIP AND LOOK TEST
 B. J-STD-020: LEVEL 1, NO MOISTURE SENSITIVE
 C. J-STD-075: W2, 270°C MAXIMUM THROUGH WAVE SOLDER

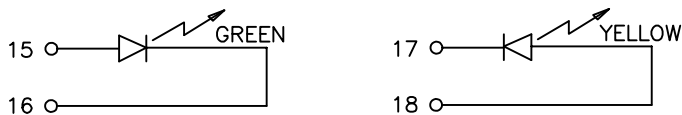
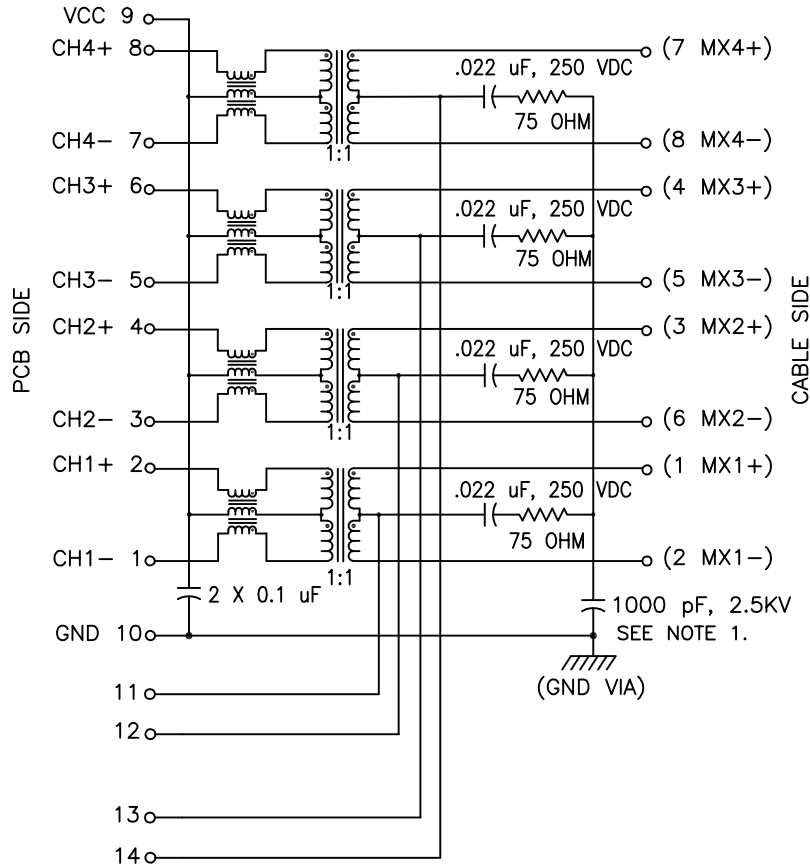


FINAL OUTLINE



© Copyright, 2017. Pulse Electronics Corp. All rights reserved. Pulse confidential & proprietary. (04/24/17)

PRODUCT DESCRIPTION	TLA DRAWING	PS DRAWING	SHEET	PART NO.	DATASHEET REV.
CONN,RJ45,2X6,1GPP,1:1,TY	JOB-3563NL-10	PS-2417.611-A	1 OF 4	JOB-3563NL	J



SCHEMATIC

NOTE 1: HIGH-VOLTAGE CAPACITOR IS COMMON FOR UPPER AND LOWER PORTS.

ELECTRICAL CHARACTERISTICS AT +25°C UNLESS OTHER SPECIFIED
MEETS IEEE 802.3 SPECIFICATION

PARAMETER	SPECIFICATIONS		
OPERATING TEMP	0°C TO +70 °C		
URNS RATIO	1 : 1 ±2%		
POLARITY	PER SCHEMATIC		
INSERTION LOSS	100 KHz	1-100 MHz	125 MHz
	-1.2 dB MAX	-0.2-0.002*f ^{1.4} dB MAX	-3.0 dB MAX
RETURN LOSS (Z OUT = 100 OHM ±15%)	.1-40 MHz	40-100 MHz	
	-16 dB MIN	-10+20*LOG ₁₀ (f/80 MHz) dB MIN	
INDUCTANCE (OCL) AT 100 KHz, 100 mV (MEDIA SIDE, 0°C~70°C)	WITH 0 mA DC BIAS		WITH 20.5 mA DC BIAS
	180 uH MIN		150 uH MIN
CROSSTALK, ADJACENT CHANNELS	1 MHz	10-100 MHz	
	-50 dB MIN	-52+22*LOG ₁₀ (f/10) dB MIN	
COMMON MODE REJECTION RATIO	2 MHz	30-200 MHz	
	-50 dB MIN	-15+20*LOG ₁₀ (f/200) dB MIN	
DC RESISTANCE, 1/2 WINDING	.65 OHMS MAX		
DC RESISTANCE IMBALANCE	±.065 OHMS MAX (CENTER TAP SYMMETRY)		
DC CURRENT/VOLTAGE RATING - PSE PINS	1.37A MAX, @ 57 V (CONTINUOUS)		
INPUT - OUTPUT ISOLATION	2250 VDC MINIMUM FOR 60 SECONDS		

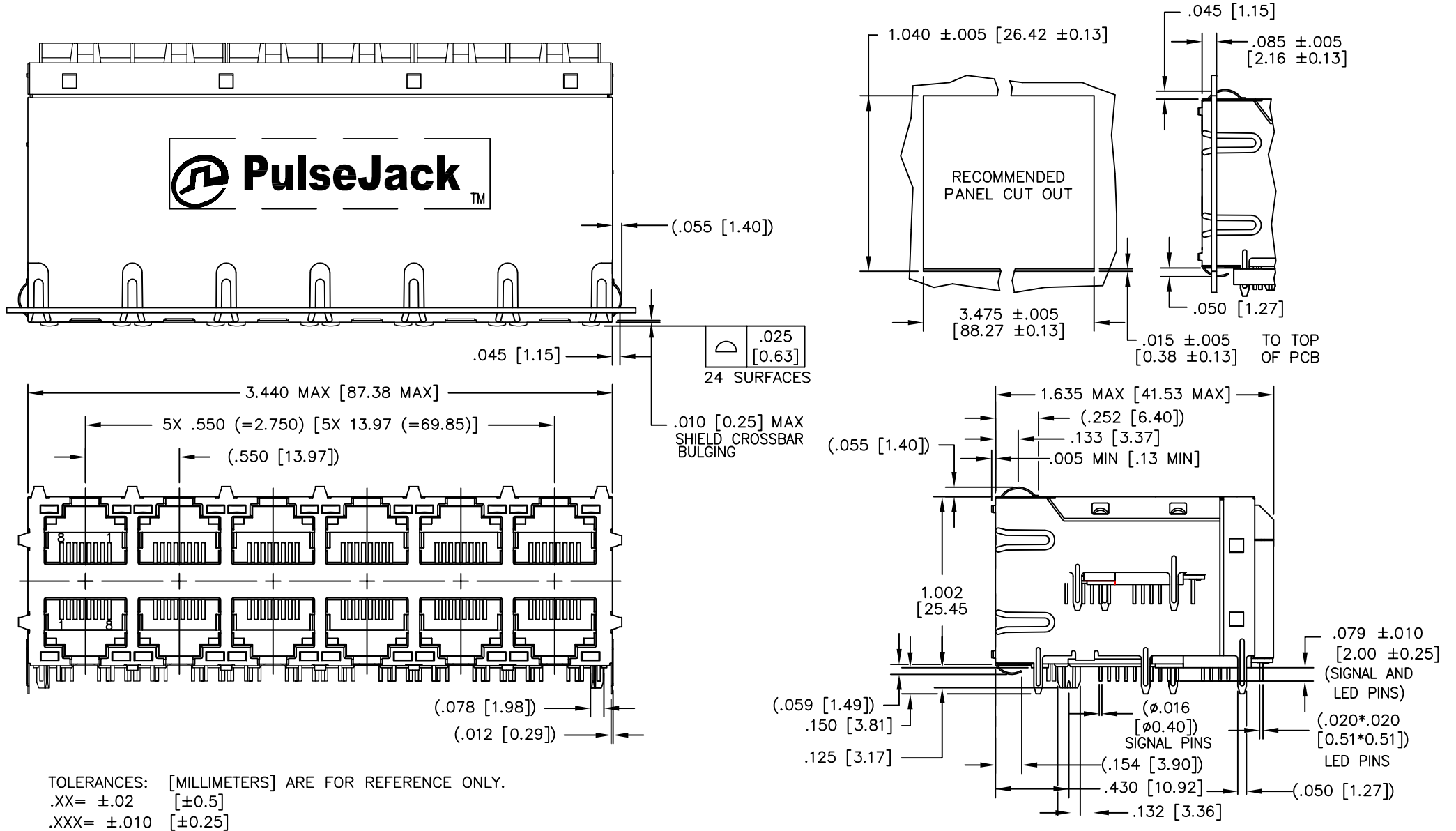
NOTE: f IS FREQUENCY IN MHz.

EMMITTED COLOR	GREEN	YELLOW
WAVELENGTH (nm)	570 nm	587 nm
BRIGHTNESS (mCD)	8 TYP. AT 20 mA	6.5 TYP. AT 20 mA
VIEWING ANGLE	100°	100°
POWER DISSIPATION (Pd)	80 mW MAX	80 mW MAX
FORWARD VOLTAGE (Vf)	2.0 TO 2.6 V (UPPER PORT)	2.1 TO 2.6 V (UPPER PORT)
	2.2 TO 2.8 V (LOWER PORT)	2.15 TO 2.8 V (LOWER PORT)
REVERSE VOLTAGE (Vr)	5.0 V MAX	5.0 V MAX

NOTE: PER VENDOR'S SPECIFICATIONS

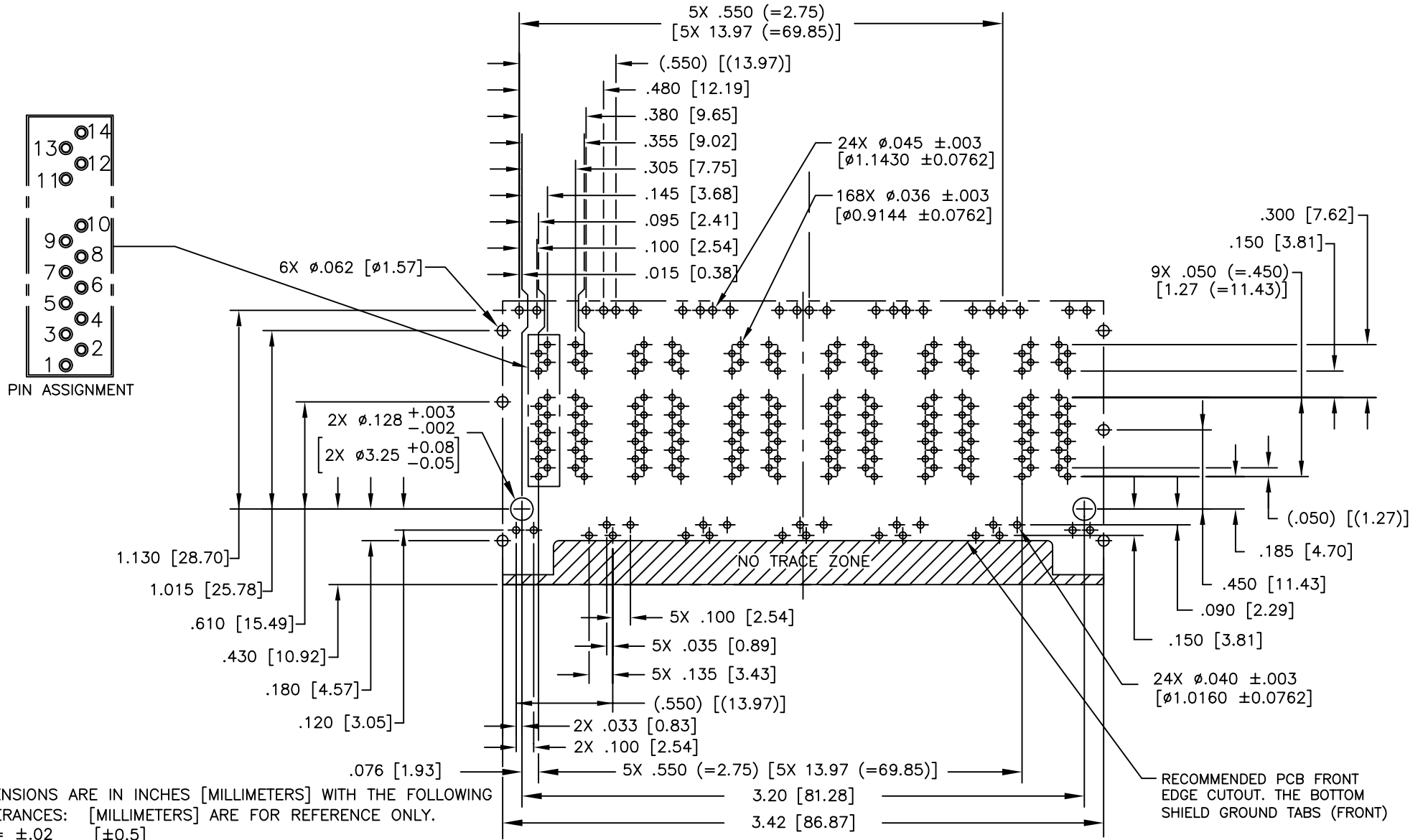
© Copyright, 2017. Pulse Electronics Corp. All rights reserved. Pulse confidential & proprietary. (04/24/17)

PRODUCT DESCRIPTION	TLA DRAWING	PS DRAWING	SHEET	PART NO.	DATASHEET REV.
CONN,RJ45,2X6,1GPP,1:1,TY	JOB-3563NL-10	PS-2417.611-A	2 OF 4	JOB-3563NL	J



© Copyright, 2017. Pulse Electronics Corp. All rights reserved. Pulse confidential & proprietary. (04/24/17)

PRODUCT DESCRIPTION	TLA DRAWING	PS DRAWING	SHEET	PART NO.	DATASHEET REV.
CONN,RJ45,2X6,1GPP,1:1,TY	JOB-3563NL-10	PS-2417.611-A	3 OF 4	JOB-3563NL	J



DIMENSIONS ARE IN INCHES [MILLIMETERS] WITH THE FOLLOWING TOLERANCES: [MILLIMETERS] ARE FOR REFERENCE ONLY.
 .XX= ± 0.02 [± 0.5]
 .XXX= ± 0.010 [± 0.25]

SUGGESTED PC BOARD LAYOUT VIEWED FROM COMPONENT SIDE UNLESS OTHERWISE SPECIFIED DIMENSIONAL TOLERANCE IS ± 0.002

© Copyright, 2017. Pulse Electronics Corp. All rights reserved. Pulse confidential & proprietary. (04/24/17)

PRODUCT DESCRIPTION	TLA DRAWING	PS DRAWING	SHEET	PART NO.	DATASHEET REV.
CONN,RJ45,2X6,1GPP,1:1,TY	JOB-3563NL-10	PS-2417.611-A	4 OF 4	JOB-3563NL	J

X-ON Electronics

Largest Supplier of Electrical and Electronic Components

Click to view similar products for [Modular Connectors](#) / [Ethernet Connectors](#) category:

Click to view products by [Pulse manufacturer](#):

Other Similar products are found below :

[8949-H88/06BLKA/SN](#) [74441-0010/BKN](#) [MP1010RX-1000](#) [MP44RX-1000](#) [PHJ-4P4C-1-V-4](#) [PHP-6P6C-5](#) [GAX-3-66](#) [GAX-8-62](#) [GDCX-PA-66-50](#) [GDCX-PN-64](#) [GDCX-PN-66](#) [GDCX-PN-66-50](#) [GDLX-A-66](#) [GDLX-N-66](#) [GDLX-S-66](#) [GDLX-S-88K](#) [GDTX-S-88-50](#) [GDX-PA-1010](#) [GLX-N-1010M-BLK](#) [GLX-S-88M-BLK](#) [GMX-N-1010](#) [GMX-S-1010](#) [GMX-S-66](#) [GMX-SMT4-N-88](#) [GPX-2-64](#) [GSGX-N-2-88](#) [GSGX-N-4-88](#) [GSX-NS2-88-3.05](#) [GSX-NS2-88-3.05-50](#) [GSX-NS-88-3.05-50](#) [PT-108A-8C-UL](#) [PT-J951-8C](#) [PTS-J531-8CS-50UL](#) [1-1775629-2](#) [A-2014-0-4](#) [GWLX-S-88-GR](#) [GWLX-S9-88-YG](#) [DC-1021-8-WH-6](#) [1300530003](#) [1324640-4](#) [RJ11FTVC2G](#) [RJ11FTVC2N](#) [RJFTVX2SA1G](#) [132764-001](#) [1413235](#) [MP88X-1000](#) [MPS88RX-5000](#) [E5288-S000K3-L](#) [E5908-15A242-L](#) [155302-001](#)