

JG0-0129NL

4

3

2

1

NOTICE: THE INFORMATION AND DESIGN CONTAINED HEREIN IS THE PROPERTY OF PULSE WHO RESERVES ALL RIGHTS THERETO.

ELECTRICAL CHARACTERISTICS AT 25°C

PARAMETER	SPECIFICATIONS	
	INSERTION LOSS	100 KHz
	-1.2 dB MAX	-0.2-0.002*f <sup>1.4</sup> dB MAX
RETURN LOSS, 1000BT (Z OUT = 100 OHM)	.1-40 MHz	40-100 MHz
	-18 dB MIN	-12+20*LOG <sub>10</sub> (f/80 MHz) dB MIN
INDUCTANCE (OCL) (MEDIA SIDE, 0°C-70°C)	350 uH MIN (MEASURED AT 100 KHz, 100 mVRMS AND WITH 8 mA DC BIAS)	
CROSSTALK, ADJACENT CHANNELS	1 MHz	10-100 MHz
	-40 dB MIN	-40+10*LOG <sub>10</sub> (f/10) dB MIN
COMMON MODE REJECTION RATIO	2 MHz	30-200 MHz
	-50 dB MIN	-15+20*LOG <sub>10</sub> (f/200) dB MIN
INPUT - OUTPUT ISOLATION	2250 VDC FOR 60 SECONDS	

NOTE: f IS FREQUENCY IN MHZ.

EMMITTED COLOR	GREEN	YELLOW
WAVELENGTH (nm)	568 nm	585 nm
BRIGHTNESS - TYP (mCD)	8.5	6
If (mA)	20	20
VIEWING ANGLE	100°	100°
POWER DISSIPATION (Pd)	100 mW MAX	100 mW MAX
PEAK FORWARD CURRENT(10 uS PULSE)	150 mA MAX	150 mA MAX
FORWARD VOLTAGE (Vr) (if = 20mA)	2.2 TO 2.6 VOLTS	2.1 TO 2.6 VOLTS

NOTE: PER VENDOR'S SPECIFICATION

D

D

C

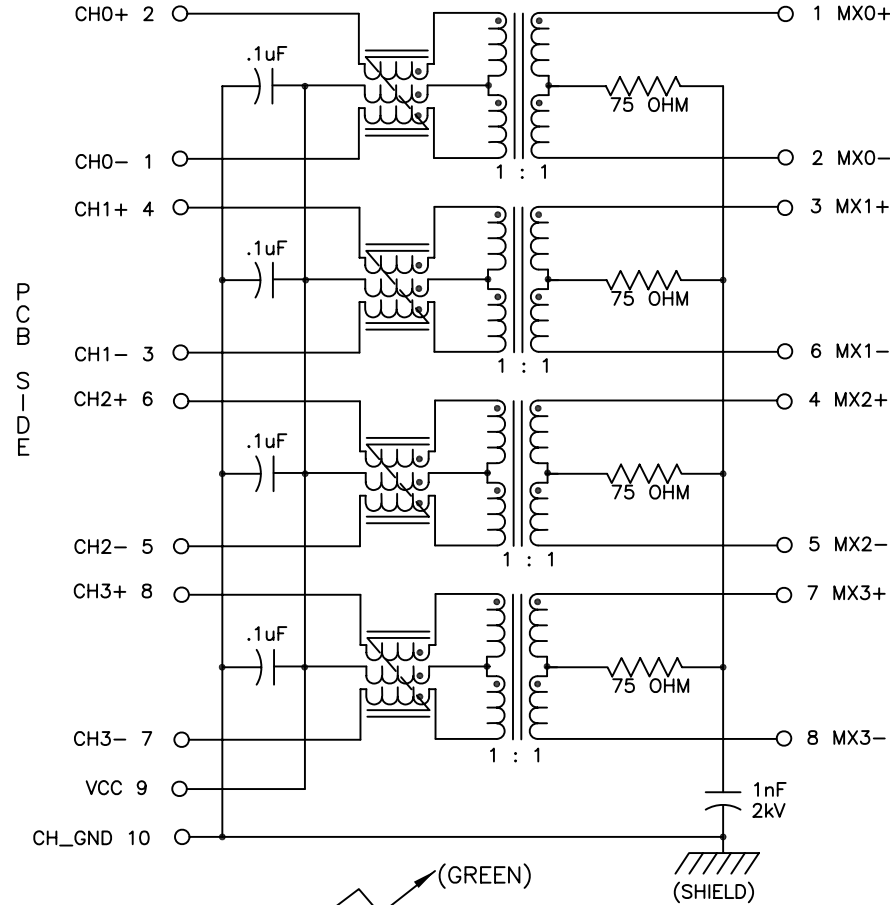
C

B

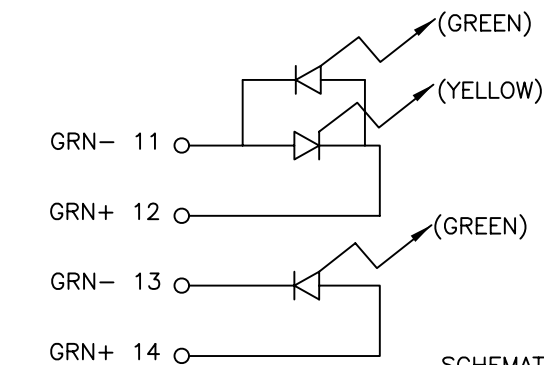
B

A

A



CABLE SIDE



SCHEMATIC

NOTICE: THIS IS A RoHS COMPLIANT COMPONENT/PRODUCT. ALL ENGINEERING CHANGES MUST HAVE PRIOR APPROVAL BY THE DESIGN CENTER.

RoHS

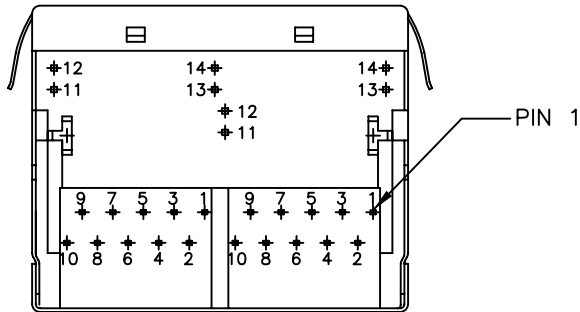
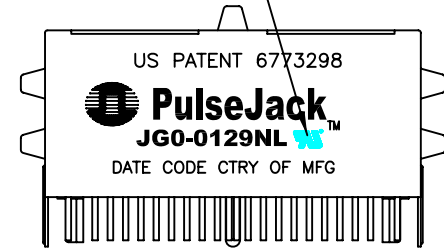
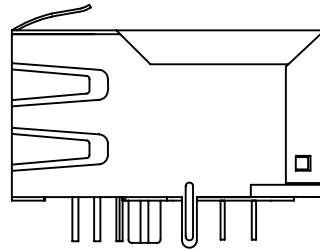
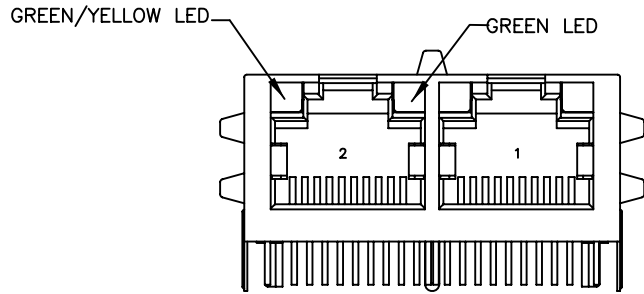
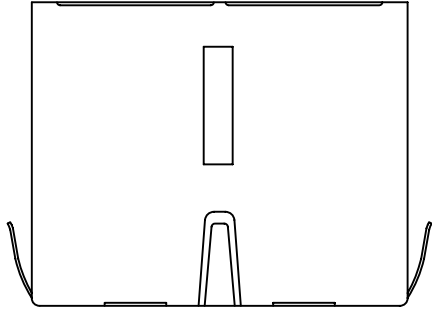
UNLESS OTHERWISE SPECIFIED, ALL DIMENSIONS ARE IN INCHES TOLERANCES ARE:  
 DECIMALS .XX ±.01 ANGLES ± 1°  
 .XXX ±.005  
 DO NOT SCALE DRAWING

SIZE	CAGE CODE	DWG. NO.	REV.
B01961	JG0-0129NL	X1	
SCALE NONE	CADD FILE JG0-0129NL-1	SHEET 1 OF 4	

JG0-0129NL

NOTICE: THE INFORMATION AND DESIGN CONTAINED HEREIN IS THE PROPERTY OF PULSE WHO RESERVES ALL RIGHTS THERETO.

FINAL OUTLINE NOTE:  
CHECK DIMENSIONS PER PACKAGE SPECIFICATION, ITEM 10.



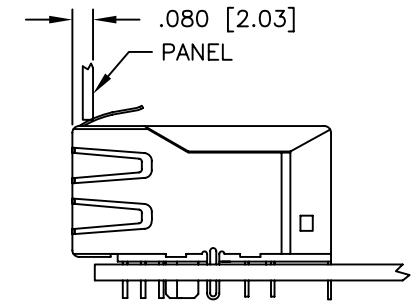
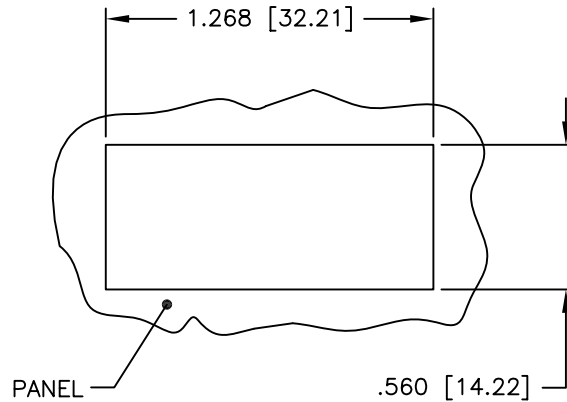
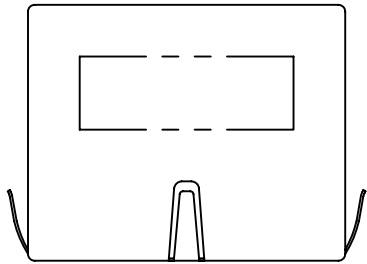
BOTTOM VIEW

UNLESS OTHERWISE SPECIFIED, ALL DIMENSIONS ARE IN INCHES  
TOLERANCES ARE:  
DECIMALS ANGLES  
.XX ±.01 ± 1°  
.XXX ±.005  
DO NOT SCALE DRAWING

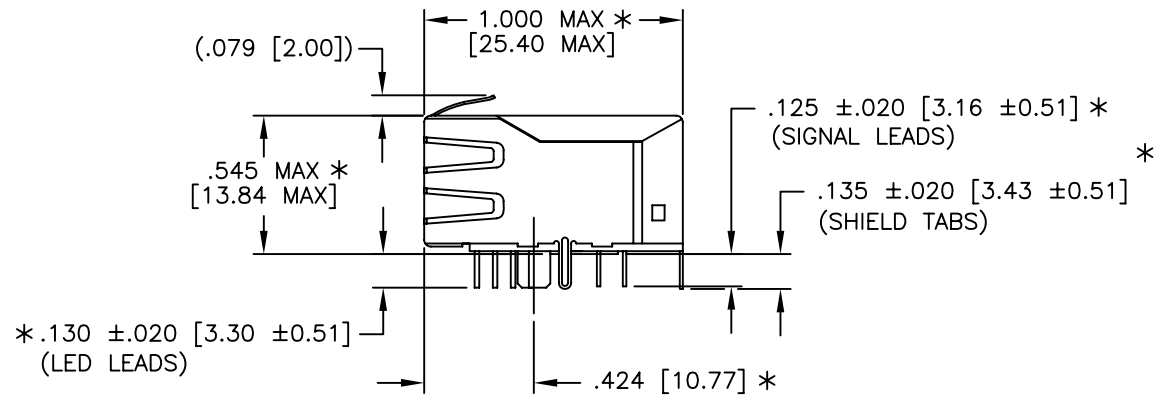
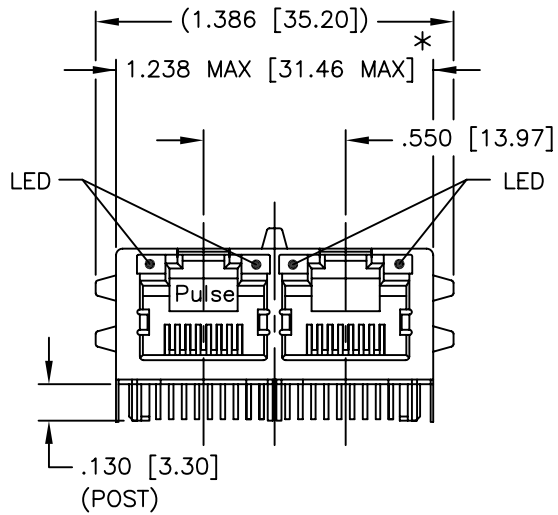
SIZE	CAGE CODE	DWG. NO.	REV.
B01961		JG0-0129NL	X1
SCALE	CADD FILE	JG0-0129NL-2	SHEET 2 OF 4

JG0-0129NL

NOTICE: THE INFORMATION AND DESIGN CONTAINED HEREIN IS THE PROPERTY OF PULSE WHO RESERVES ALL RIGHTS THERETO.



SUGGESTED PANEL CUTOUT

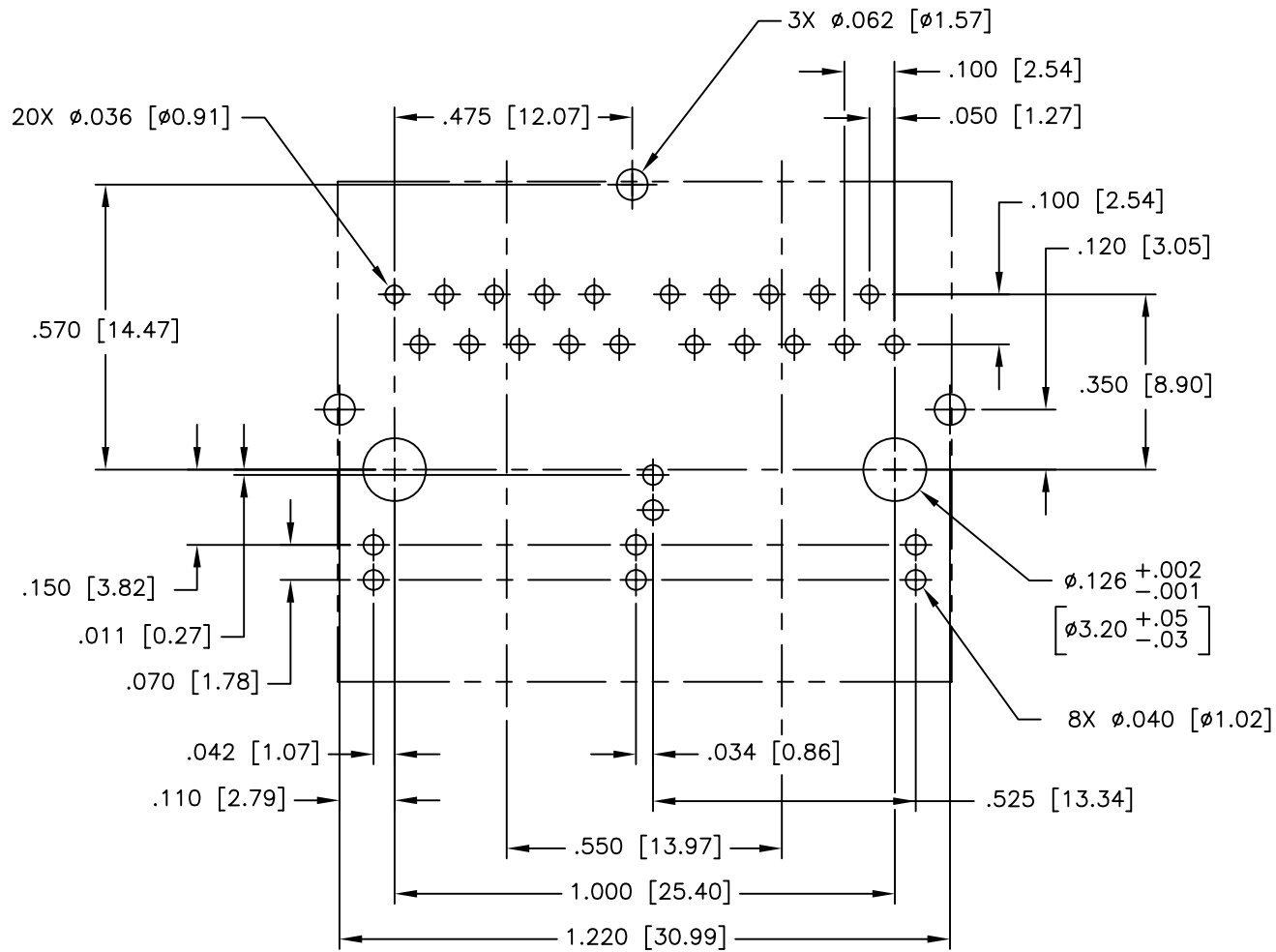


UNLESS OTHERWISE SPECIFIED, ALL DIMENSIONS ARE IN INCHES  
TOLERANCES ARE:  
DECIMALS  
XX ±.01  
XXX ±.005  
ANGLES  
3°  
DO NOT SCALE DRAWING

SIZE	CAGE CODE	DWG. NO.	REV
2/1	B01961	JG0-0129NL	X1
SCALE	CADD FILE	SHEET 3 OF 4	
2/1	JG0-0129NL-3		

JG0-0129NL

NOTICE: THE INFORMATION AND DESIGN CONTAINED HEREIN IS THE PROPERTY OF PULSE WHO RESERVES ALL RIGHTS THERETO.



SUGGESTED FOOTPRINT (COMPONENT SIDE SHOWN)  
 DIMENSIONAL TOLERANCE: (UNLESS OTHERWISE SPECIFIED)  
 .XXX  $\pm$ .003 [X.XX  $\pm$ 0.08]

UNLESS OTHERWISE SPECIFIED, ALL DIMENSIONS ARE IN INCHES  
 TOLERANCES ARE:  
 DECIMALS: .XX  $\pm$ .01, .XXX  $\pm$ .005  
 ANGLES: 3.  
 DO NOT SCALE DRAWING

SIZE	CAGE CODE	DWG. NO.	REV
B01961		JG0-0129NL	X1
SCALE	CADD FILE	SHEET	
4/1	JG0-0129NL-4	4 OF 4	

## X-ON Electronics

Largest Supplier of Electrical and Electronic Components

*Click to view similar products for [Modular Connectors](#) / [Ethernet Connectors](#) category:*

*Click to view products by [Pulse manufacturer](#):*

Other Similar products are found below :

[RJE231881317T](#) [MP1010RX-1000](#) [MP44RX-1000](#) [GAX-3-66](#) [GAX-8-62](#) [93606-0253](#) [GD-A-44](#) [GDCX-PA-66-50](#) [GDCX-PN-64](#) [GDCX-PN-66](#) [GDCX-PN-66-50](#) [GDLX-A-66](#) [GDLX-A-88](#) [GDLX-N-66](#) [GDLX-S-66](#) [GDLX-S-88K](#) [GDTX-S-88-50](#) [GDX-PA-1010](#) [GLX-N-1010M-BLK](#) [GLX-S-88M-BLK](#) [GMX-N-1010](#) [GMX-S-1010](#) [GMX-S-66](#) [GMX-SMT2-N-1010](#) [GMX-SMT2-N-64-50](#) [GMX-SMT2-N-88](#) [GMX-SMT2-S6-88](#) [GMX-SMT4-N-88](#) [GPX-2-64](#) [GRT1-BT1-5](#) [GSGX-N-2-88](#) [GSX-NS2-88-3.05](#) [GSX-NS2-88-3.05-50](#) [GSX-NS-88-3.05-30](#) [GSX-NS-88-3.05-50](#) [GSX-NS-88-3.68](#) [1-1775629-2](#) [GWLX-S-88-GR](#) [GWLX-S9-88-YG](#) [1300500326](#) [1300500227](#) [1300530003](#) [1300570002](#) [1324640-4](#) [RJ11FTVC2G](#) [RJ11FTVC2N](#) [RJFTVX2SA1G](#) [132764-001](#) [1400000](#) [1413235](#)