

# PULSEJACK™

## Single-Port Gigabit PoE



### Description:

10/100/1000 Base-TX RJ45 single port with integrated magnetics – Designed for most leading PHY manufacturers with the addition of Power over Ethernet, according to IEEE 802.3af



### Features and Benefits:

- ⊕ RoHS peak wave solder temperature rating 260°C
- ⊕ Single port Connector for PoE applications

### Electrical Performance Summary:

- ⊕ 350µH minimum OCL with 8mA bias current
- ⊕ High performance for maximum EMI suppression
- ⊕ 15W, 350mA, 48V PoE rating

### Electrical Specifications @ 25°C — Operating Temperature 0°C to +70°C

RoHS Compliant Part No.	Tab Option	LEDs <sup>1</sup> L/R	Insertion Loss TX/RX (dB TYP) 1-100 MHz	Return Loss (dB TYP) 100Ω (±15Ω)			Crosstalk (dB TYP)			Common Mode Rejection (dB TYP)		Hipot (Vrms MIN) @60Hz 1 MIN
				30 MHz	60-80 MHz	100 MHz	30 MHz	60 MHz	100 MHz	1-50 MHz	50-130 MHz	
JK0-0133NL	UP	—	-1.0	-16	-12	-10	-44	-37	-33	-27	-20	1500
JK0-0145NL	UP	G/Y	-1.0	-16	-12	-10	-44	-37	-33	-27	-20	1500
JK0-0161NL	UP	—	-1.0	-16	-12	-10	-44	-37	-33	-27	-20	1500

#### NOTES:

1. LEDs Left/Right: G = green; Y = yellow.

### RJ45 Durability Testing Rating

Part Number	Mating Force (MAX)	Unmating Force (MAX)	Durability	Plug to Jack Retention (MIN)
JK0 Series	5lbs./2.268kgs.	5lbs./2.268kgs.	500 Insertions	20lbs./9.072kgs.

### RJ45 Material Specification

Part Number	Shield		Contact			Housing		MSL <sup>3</sup> Rating
	Material	Finish	Material	Plating Area	Solder Area <sup>2</sup>	Material	Specification	
JK0 Series	Brass	20-40µ inches thick nickel over brass	Phosphor Bronze	15µ inches gold over 30-80µ inches nickel	75-300µ inches tin-lead over 75-300µ inches nickel	Thermoplastic	UL 94 V-0	1

#### NOTES:

1. Connector dimensions comply with FCC dimension requirements.

2. NL parts are tin matte finish over nickel.

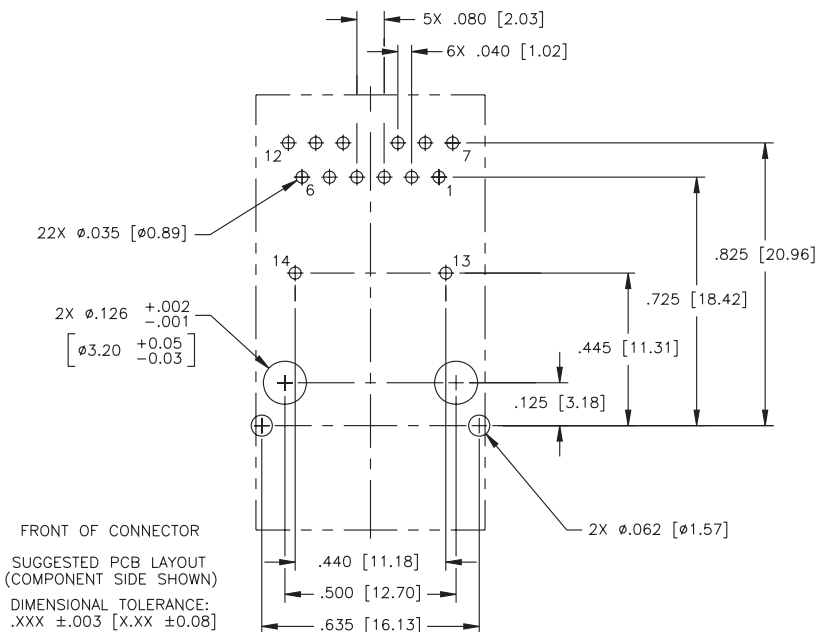
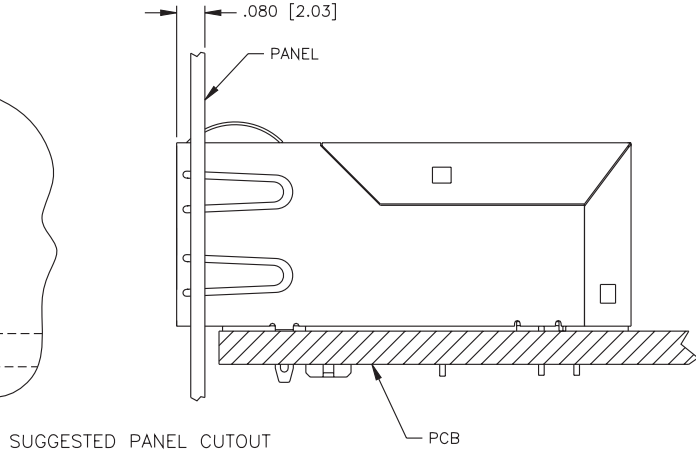
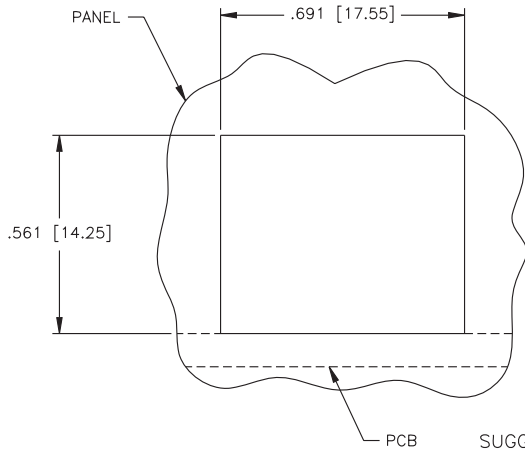
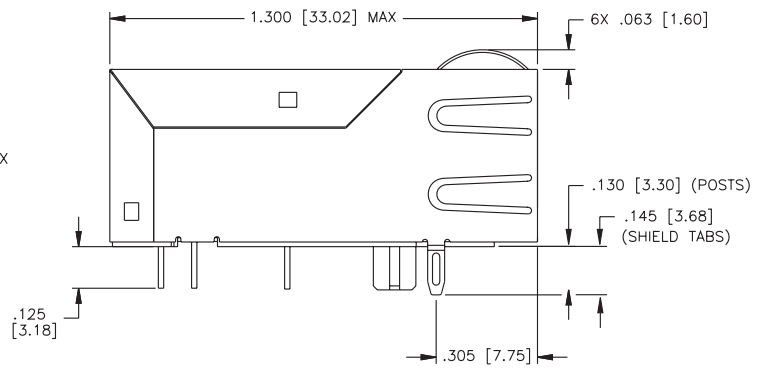
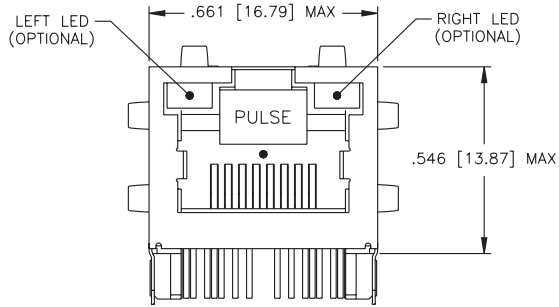
3. MSL - Moisture Sensitivity Level class limits = 1 to 5 (Highest: 1; Lowest: 5).

# PULSEJACK™

## Single-Port Gigabit PoE

### Mechanical

**JK0-0133NL**

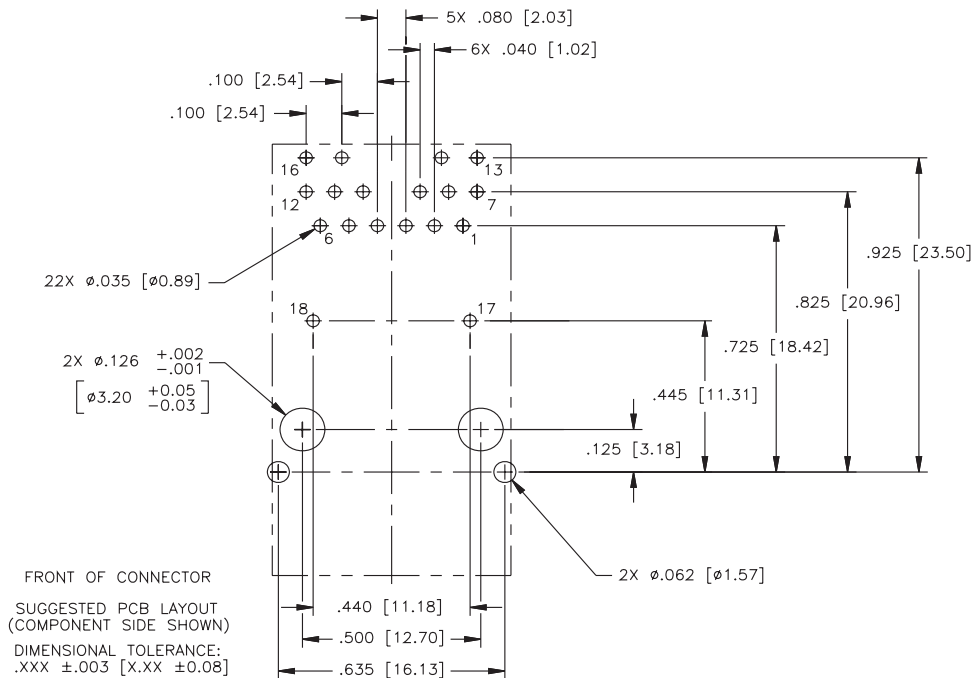
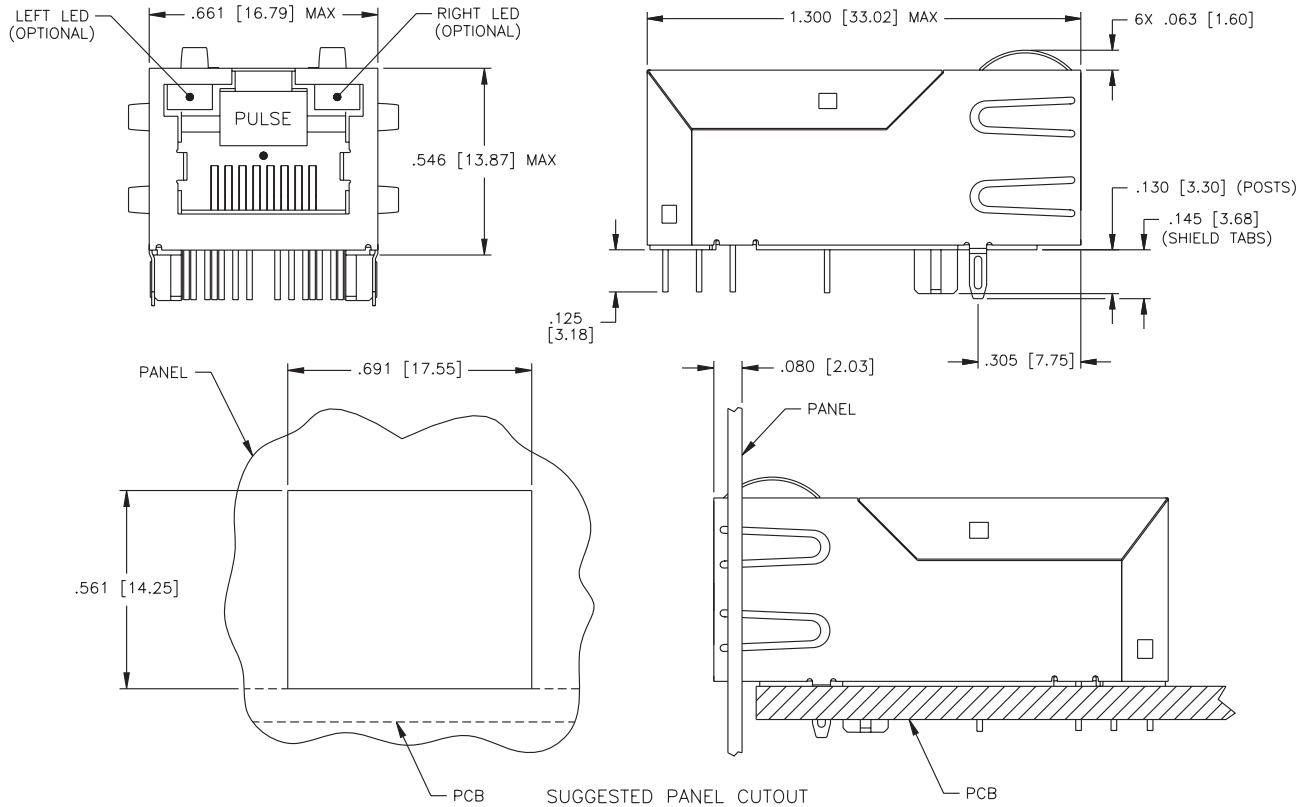


# PULSEJACK™

## Single-Port Gigabit PoE

### Mechanical

**JK0-0145NL**

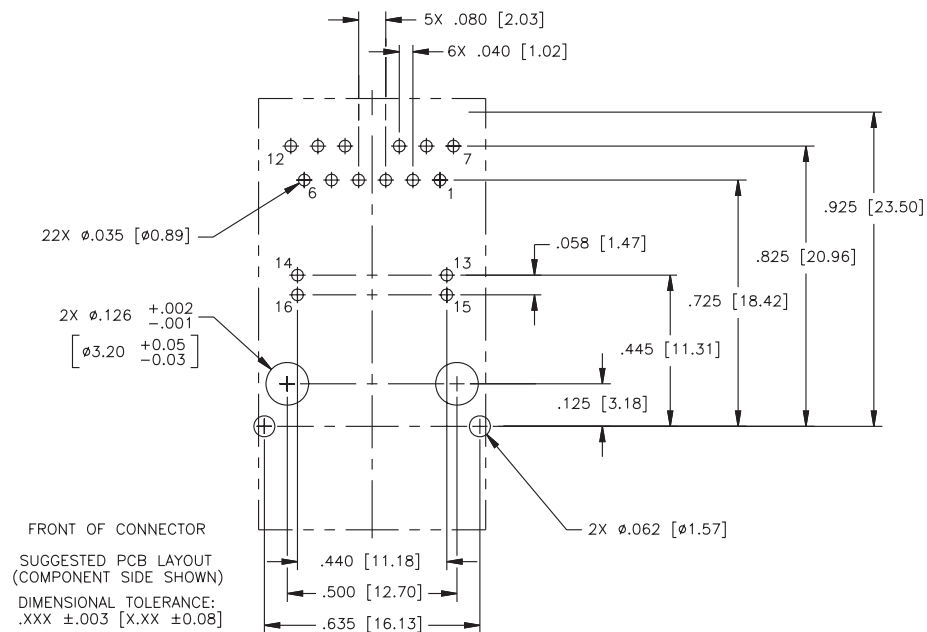
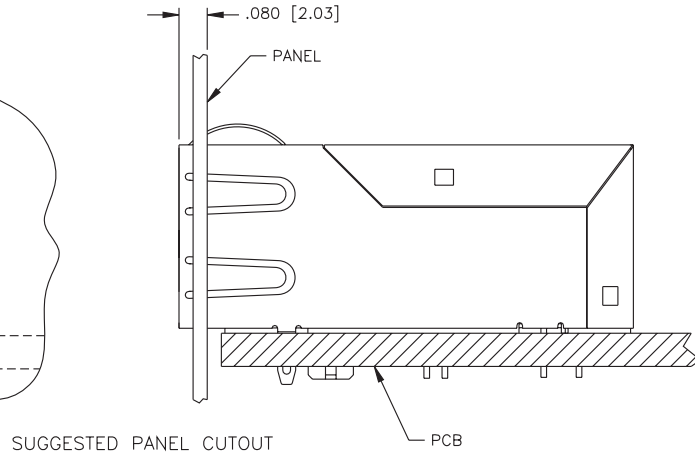
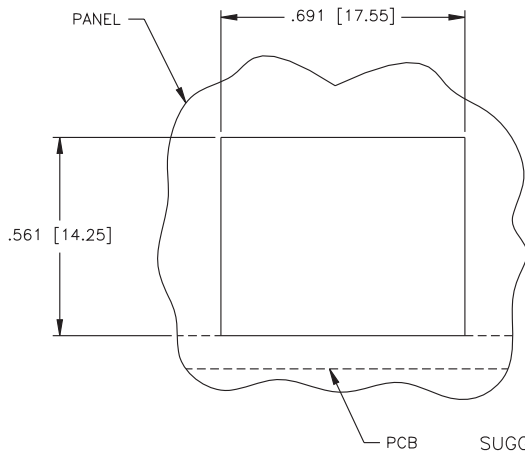
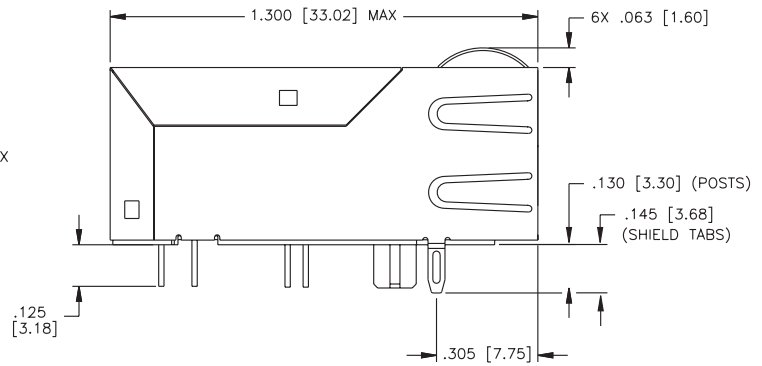
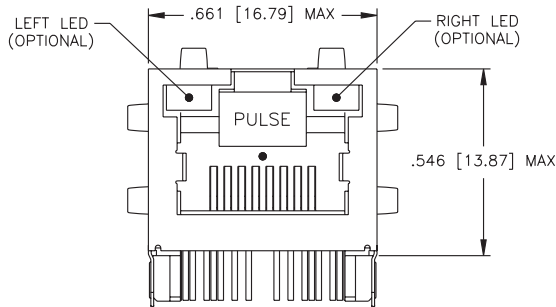


# PULSEJACK™

## Single-Port Gigabit PoE

### Mechanical

**JK0-0161NL**

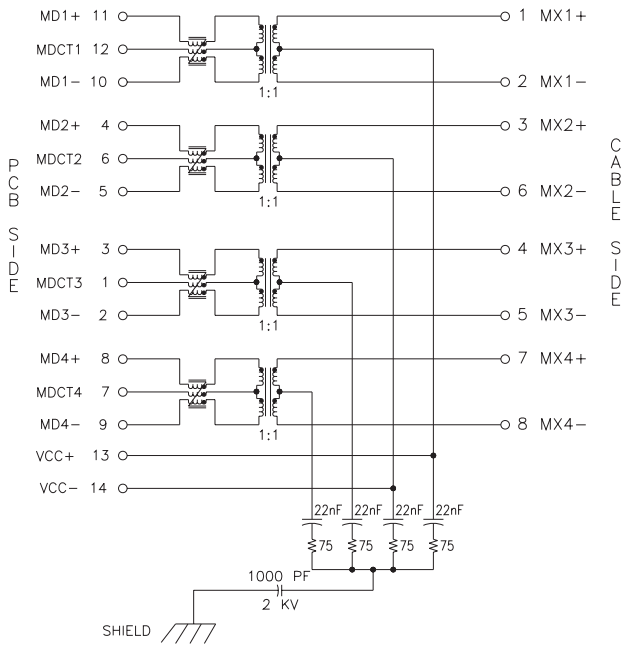


# PULSEJACK™

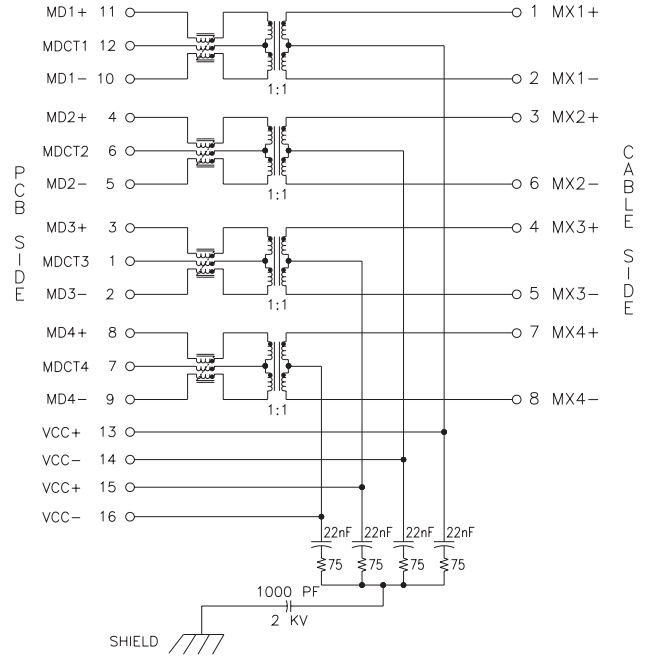
## Single-Port Gigabit PoE

### Schematics

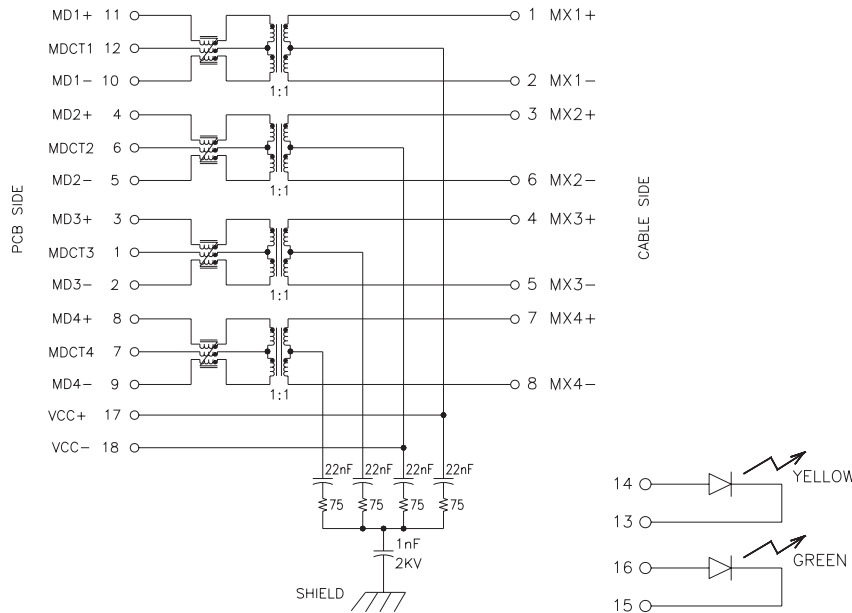
**JK0-0133NL**



**JK0-0161NL**



**JK0-0145NL**



### For More Information:

Americas - [prodinfonetworkamericas@pulseelectronics.com](mailto:prodinfonetworkamericas@pulseelectronics.com) | Europe - [comms-Apps-Europe@pulseelectronics.com](mailto:comms-Apps-Europe@pulseelectronics.com) | Asia - [prodinfonetworkapar@pulseelectronics.com](mailto:prodinfonetworkapar@pulseelectronics.com)

Performance warranty of products offered on this data sheet is limited to the parameters specified. Data is subject to change without notice. Other brand and product names mentioned herein may be trademarks or registered trademarks of their respective owners. © Copyright, 2019. Pulse Electronics, Inc. All rights reserved.

## X-ON Electronics

Largest Supplier of Electrical and Electronic Components

*Click to view similar products for [Modular Connectors](#) / [Ethernet Connectors](#) category:*

*Click to view products by [Pulse manufacturer](#):*

Other Similar products are found below :

[8949-H88/06BLKA/SN](#) [74441-0010/BKN](#) [MP1010RX-1000](#) [MP44RX-1000](#) [PHP-6P6C-5](#) [GAX-3-66](#) [GAX-8-62](#) [GDCX-PA-66-50](#) [GDCX-PN-64](#) [GDCX-PN-66](#) [GDCX-PN-66-50](#) [GDLX-A-66](#) [GDLX-N-66](#) [GDLX-S-66](#) [GDLX-S-88K](#) [GDTX-S-88-50](#) [GDX-PA-1010](#) [GLX-N-1010M-BLK](#) [GLX-S-88M-BLK](#) [GMX-N-1010](#) [GMX-S-1010](#) [GMX-S-66](#) [GMX-SMT4-N-88](#) [GPX-2-64](#) [GSGX-N-2-88](#) [GSGX-N-4-88](#) [GSX-NS2-88-3.05](#) [GSX-NS2-88-3.05-50](#) [GSX-NS-88-3.05-50](#) [PT-108A-8C-UL](#) [PT-J951-8C](#) [PTS-J531-8CS-50UL](#) [1-1775629-2](#) [A-2014-0-4](#) [GWLX-S-88-GR](#) [GWLX-S9-88-YG](#) [DC-1021-8-WH-6](#) [1300530003](#) [1324640-4](#) [RJ11FTVC2G](#) [RJ11FTVC2N](#) [RJFTVX2SA1G](#) [132764-001](#) [1413235](#) [MP88X-1000](#) [MPS88RX-5000](#) [E5288-S000K3-L](#) [E5908-15A242-L](#) [155302-001](#) [AX100653](#)